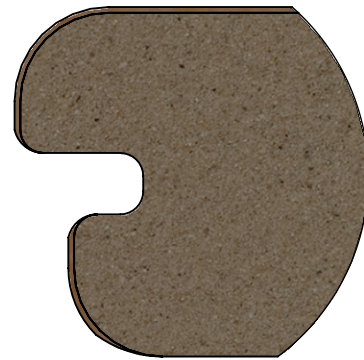


# HARDWOOD AND LANDSCAPES DECKING SIESTA PROFILE DETAILS

**NOTE:**

1. BOARD HEIGHT = 0.91"
2. BOARD LENGTH
  1. SIESTA 2 GROOVES PROFILE = 12', 16', & 20'
  2. STARTER 1 GROOVE PROFILE = 16' & 20'
  3. CAP RAIL PROFILE = 16' & 20'

TYPICAL CAPSTOCK GROOVED EDGES



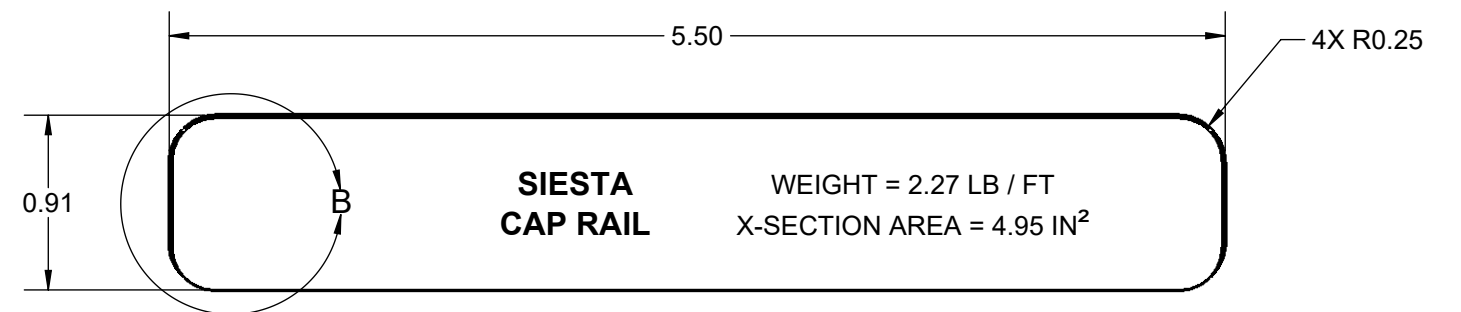
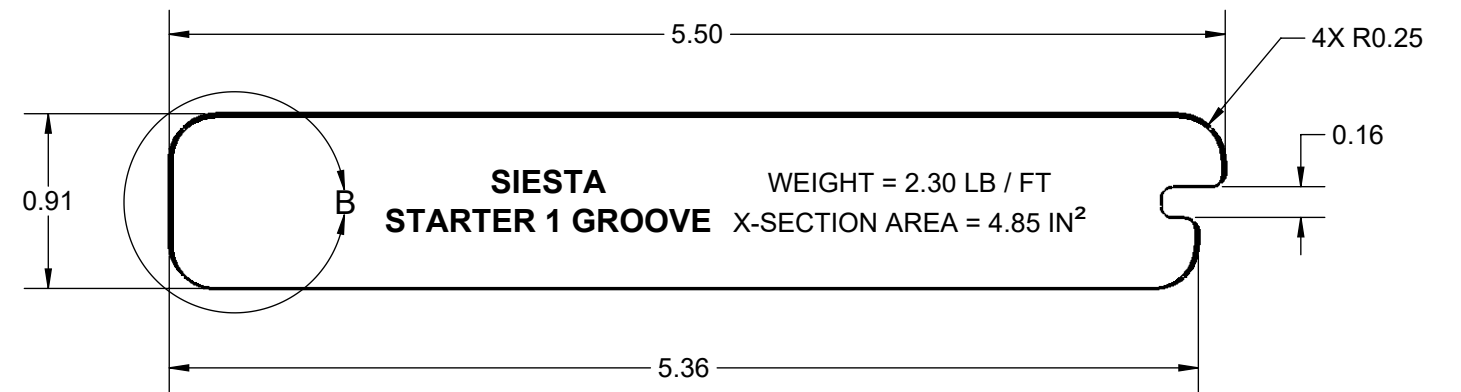
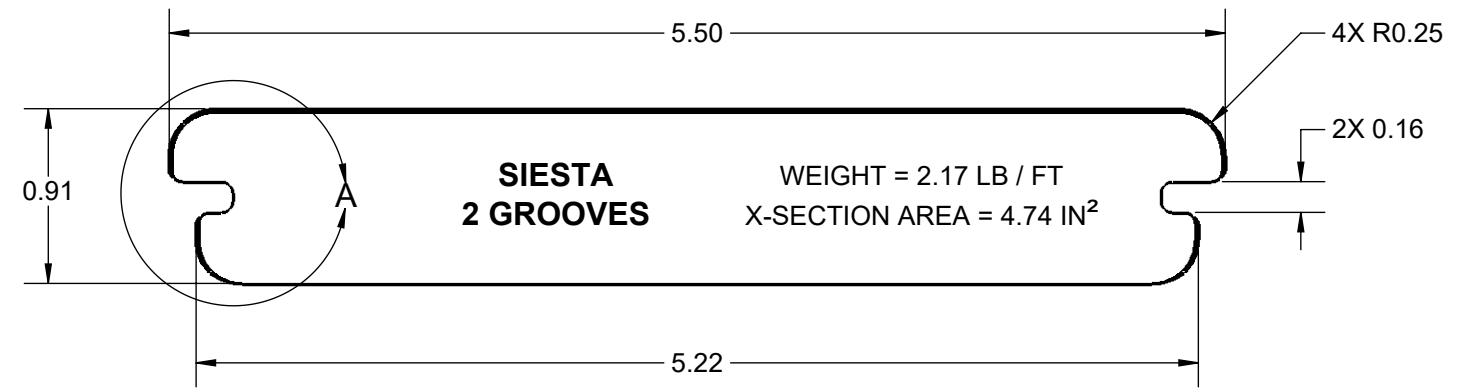
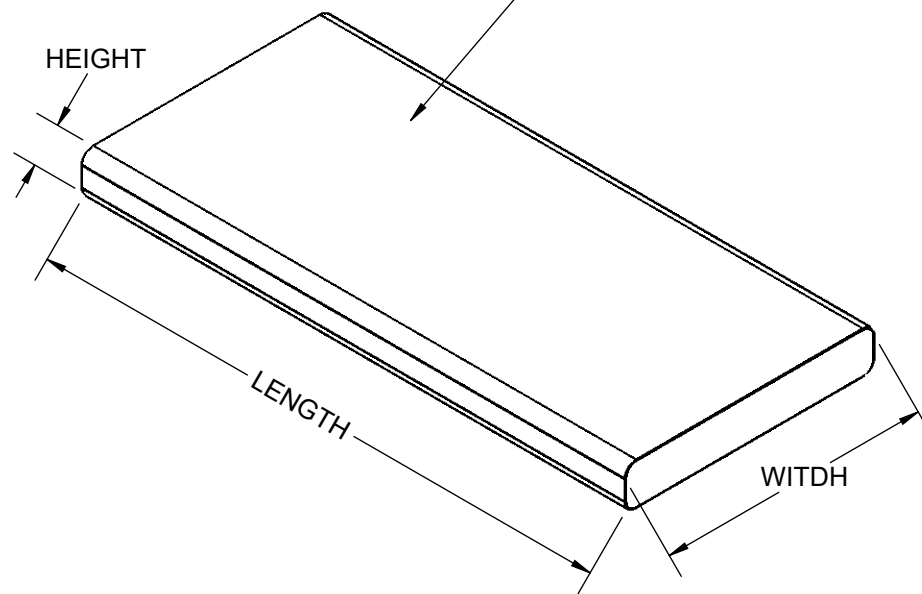
DETAIL A  
SCALE 2 : 1

TYPICAL CAPSTOCK SOLID EDGES



DETAIL B  
SCALE 2 : 1

DECK BOARD  
(CAP RAIL USED AS REFERENCE)



THE INFORMATION CONTAINED IN THIS DRAWING IS PROTECTED BY COPYRIGHT AND PATENT LAWS OF THE UNITED STATES AND OTHER COUNTRIES. ANY REPRODUCTION IN PART OR AS A WHOLE WITHOUT WRITTEN PERMISSION IS PROHIBITED.

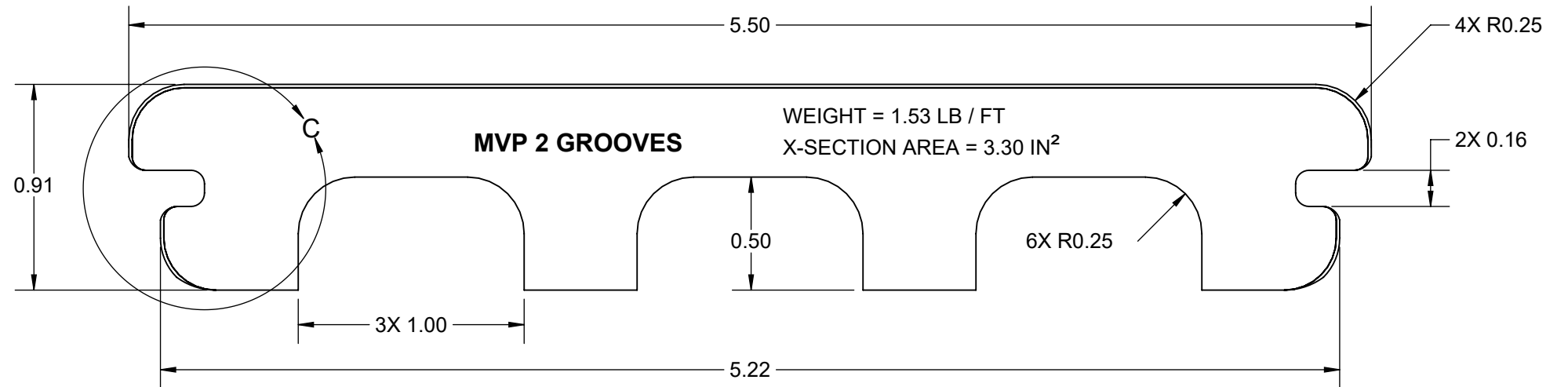
REV	BY	DATE	PCR	DESCRIPTION
3	RAM	12/22/2022	N/A	UPDATED DRAWING
2	JLG	3/10/2022	N/A	UPDATED DRAWINGS
1	GAS	9/17/2021	N/A	ADDED RANGE AND RETAIL PROFILES
0	GAS	1/8/2021	N/A	INITIAL RELEASE

TOLERANCES		Barrette OUTDOOR LIVING		
FRACTION	±1/16	DRAWN: G. SARKEES	DATE: 03/10/2022	APPROVED: PS
XX	±0.01	<b>DECKING PROFILES</b>		
XXX	±0.005			
ANGLE	±1.0°	SHEET 1 OF 4		REVISION
FINISH	125 RMS	SCALE 1:1		PART NUMBER
UNLESS OTHERWISE SPECIFIED		WEIGHT: 2.17		2
				<b>N/A</b>

# HARDWOOD AND LANDSCAPES DECKING MVP PROFILE DETAILS

**NOTE:**

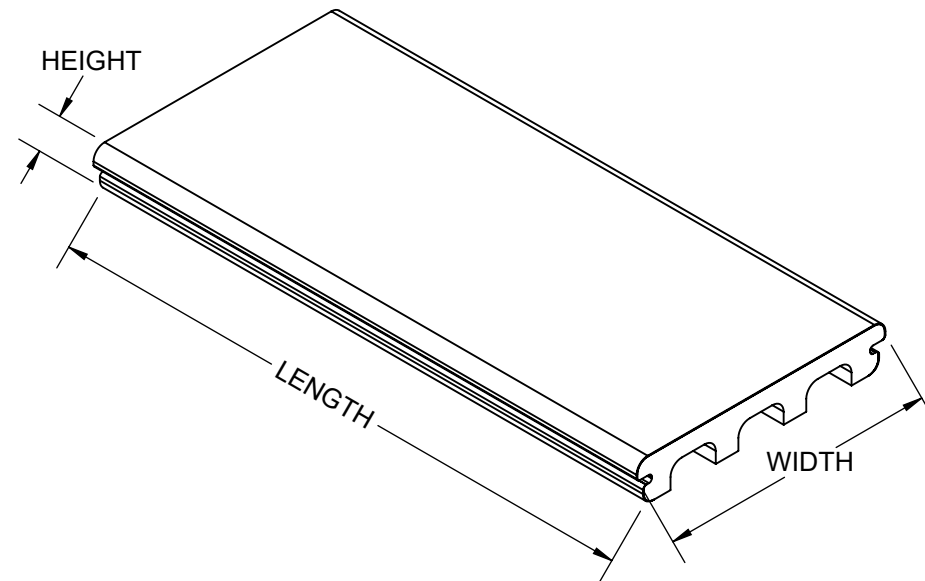
1. BOARD HEIGHT = 0.91"
2. BOARD LENGTH
  1. MVP GROOVE PROFILE = 12', 16', & 20'



TYPICAL CAPSTOCK GROOVED EDGES



DETAIL C  
SCALE 3 : 1



THE INFORMATION CONTAINED IN THIS DRAWING IS PROTECTED BY COPYRIGHT AND PATENT LAWS OF THE UNITED STATES AND OTHER COUNTRIES. ANY REPRODUCTION IN PART OR AS A WHOLE WITHOUT WRITTEN PERMISSION IS PROHIBITED.

TOLERANCES		<b>Barrette</b> OUTDOOR LIVING		
FRACTION	±1/16	DRAWN: G. SARKEES	DATE: 03/10/2022	APPROVED: PS
XX	±0.01	<b>DECKING PROFILES</b>		
XXX	±0.005			
ANGLE	±1.0°	SHEET 2 OF 4 SCALE 3:2 WEIGHT: 1.53		
FINISH	125 RMS			
UNLESS OTHERWISE SPECIFIED		REVISION	PART NUMBER	<b>N/A</b>

# RESORT DECKING MVP+ PROFILE DETAILS

**NOTE:**

1. BOARD HEIGHT = 0.91"
2. BOARD LENGTH
  1. MVP+ GROOVE PROFILE = 12', 16', & 20'
  2. STARTER PROFILE = 16' & 20'

TYPICAL CAPSTOCK GROOVED EDGES

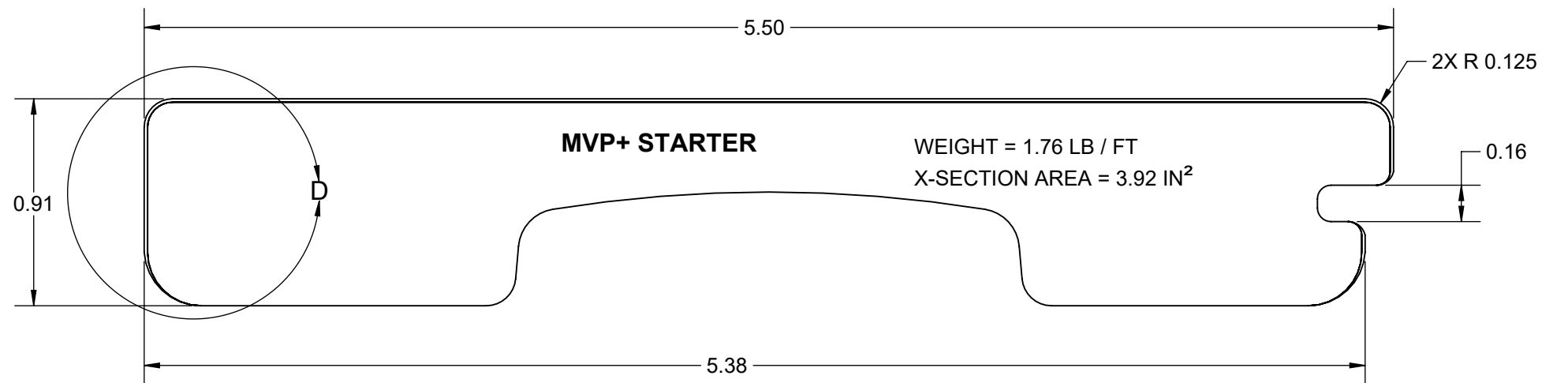
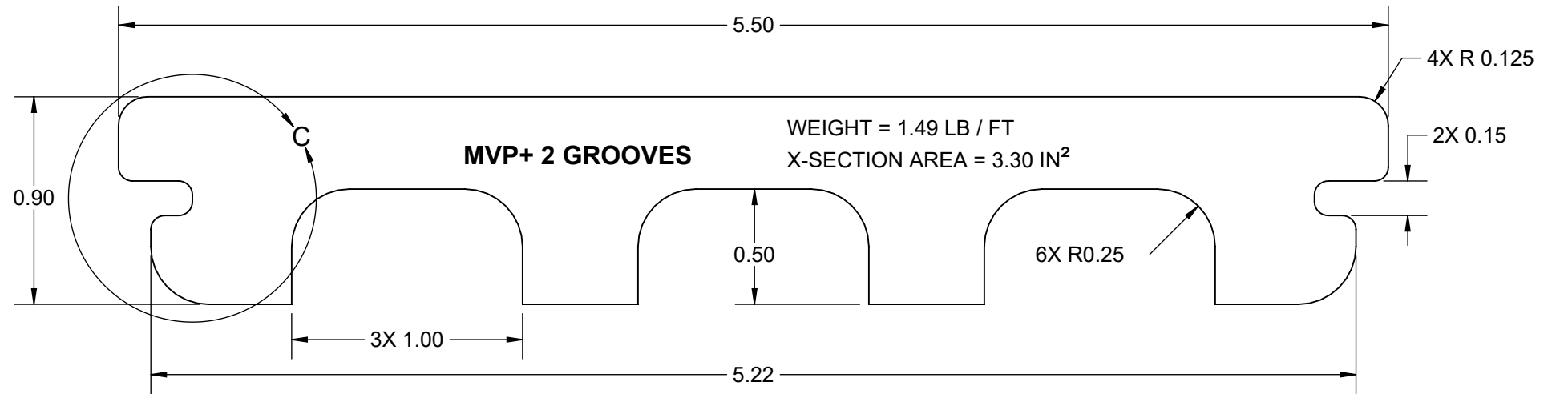
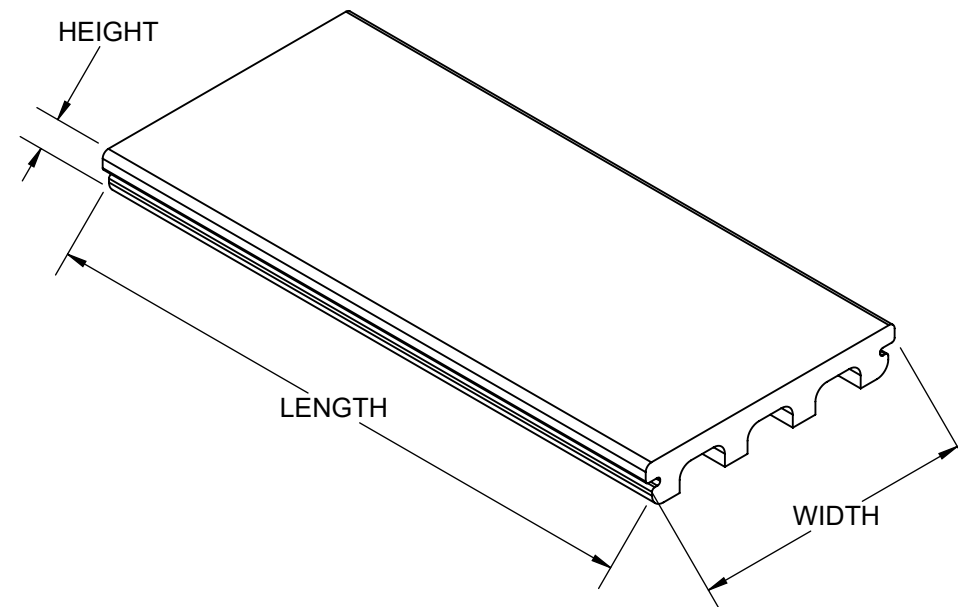


DETAIL C  
SCALE 2 : 1

TYPICAL CAPSTOCK GROOVED EDGES



DETAIL D  
SCALE 2 : 1



THE INFORMATION CONTAINED IN THIS DRAWING IS PROTECTED BY COPYRIGHT AND PATENT LAWS OF THE UNITED STATES AND OTHER COUNTRIES. ANY REPRODUCTION IN PART OR AS A WHOLE WITHOUT WRITTEN PERMISSION IS PROHIBITED.

TOLERANCES		Barrette OUTDOOR LIVING	
FRACTION	±1/16	DRAWN: G. SARKEES	DATE: 03/10/2022
XX	±0.01	APPROVED: PS	
XXX	±0.005	DESCRIPTION: <b>DECKING PROFILES</b>	
ANGLE	±1.0°	SHEET 3 OF 4	REVISION
FINISH	125 RMS	SCALE 3:2	PART NUMBER
UNLESS OTHERWISE SPECIFIED		WEIGHT: 1.49	2
			<b>N/A</b>

# HARDWOOD, LANDSCAPES, RESORT DECKING FASCIA AND RISER PROFILE DETAILS

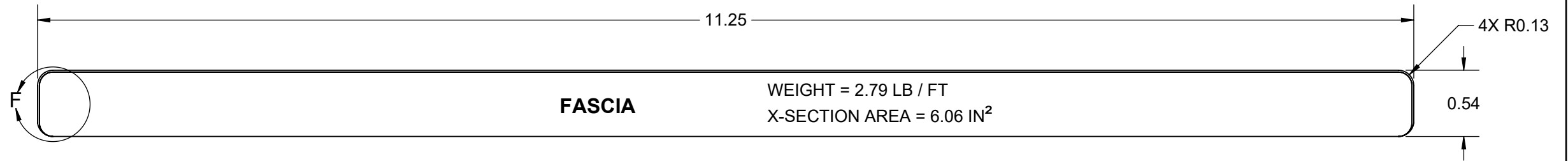
**NOTE:**

1. BOARD HEIGHT = 0.91"
2. BOARD LENGTH
  1. FACIA PROFILE = 12"
  2. RISER PROFILE = 12"

TYPICAL CAPSTOCK FASCIA



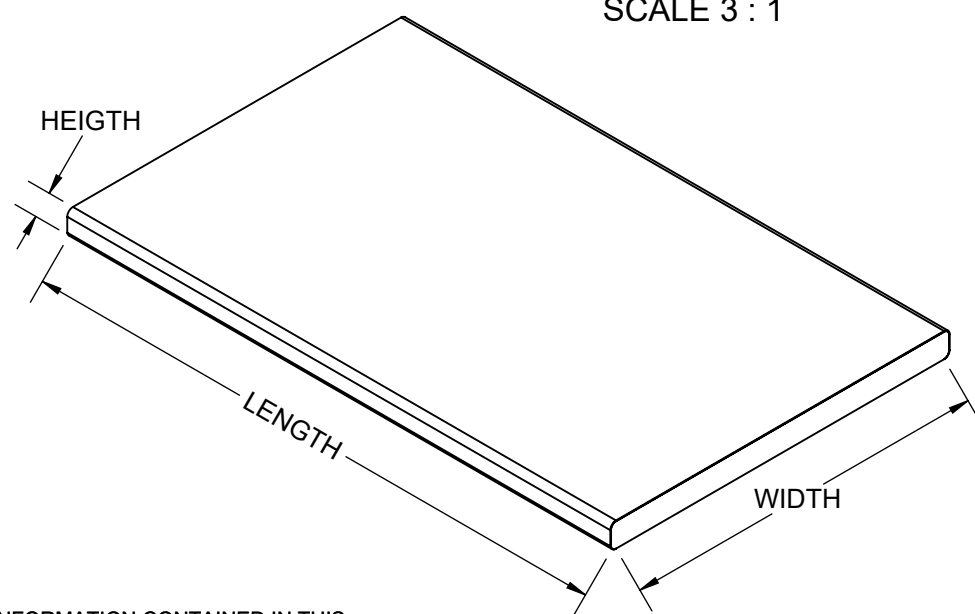
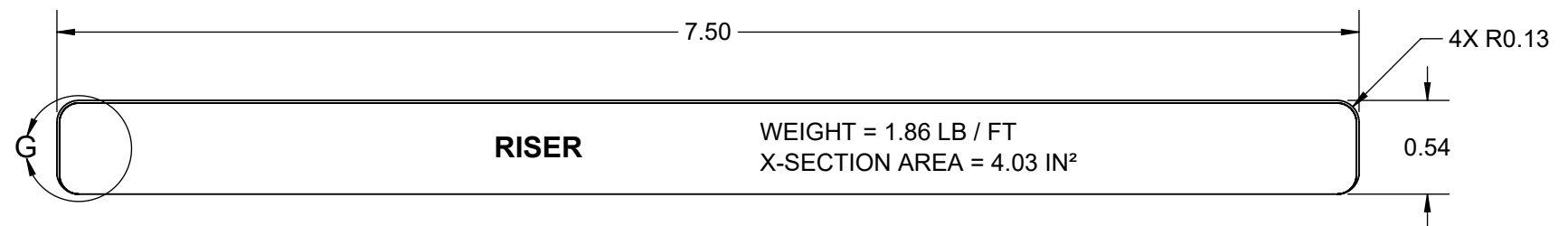
DETAIL F  
SCALE 3 : 1



TYPICAL CAPSTOCK RISER



DETAIL G  
SCALE 3 : 1



THE INFORMATION CONTAINED IN THIS DRAWING IS PROTECTED BY COPYRIGHT AND PATENT LAWS OF THE UNITED STATES AND OTHER COUNTRIES. ANY REPRODUCTION IN PART OR AS A WHOLE WITHOUT WRITTEN PERMISSION IS PROHIBITED.

TOLERANCES				
FRACTION	±1/16	DRAWN: G. SARKEES	DATE: 03/10/2022	APPROVED: PS
XX	±0.01	DESCRIPTION: <b>DECKING PROFILES</b>		
XXX	±0.005	SHEET 4 OF 4      REVISION      PART NUMBER		
ANGLE	±1.0°	SCALE 1:1		
FINISH	125 RMS	WEIGHT: 2.79		
UNLESS OTHERWISE SPECIFIED		<span style="margin-left: 20px;">N/A</span>		