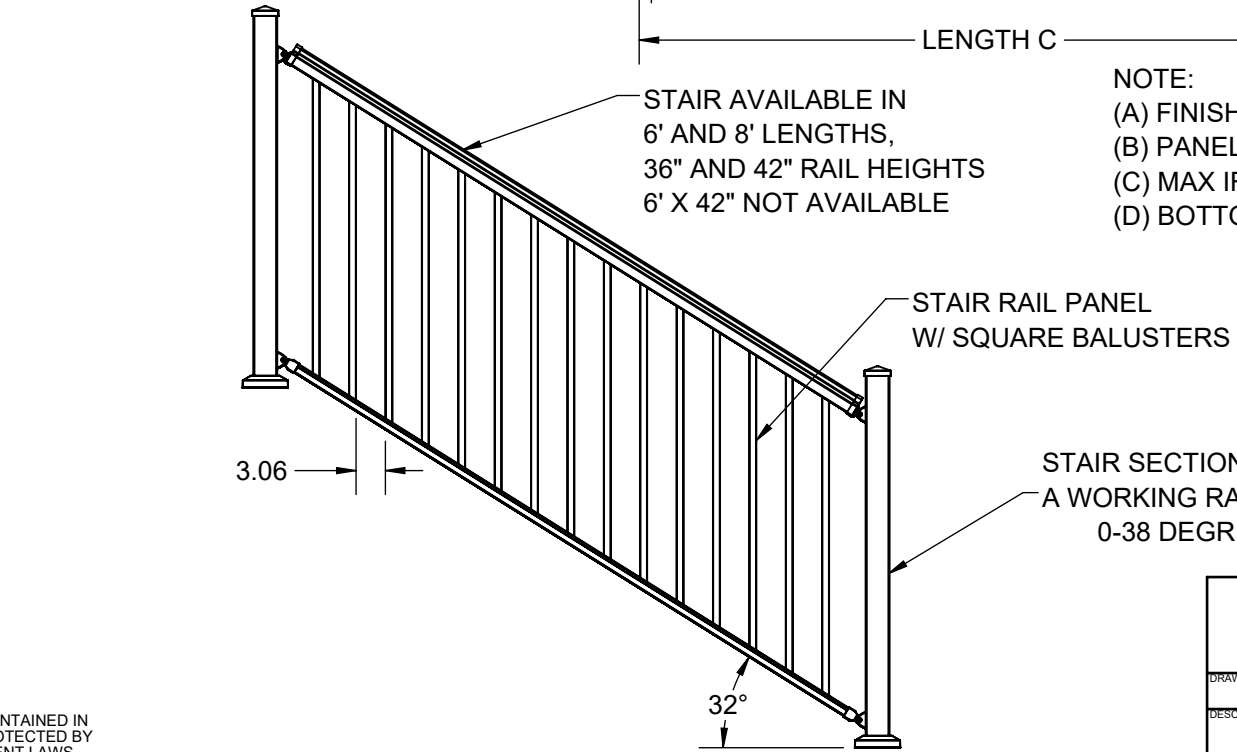
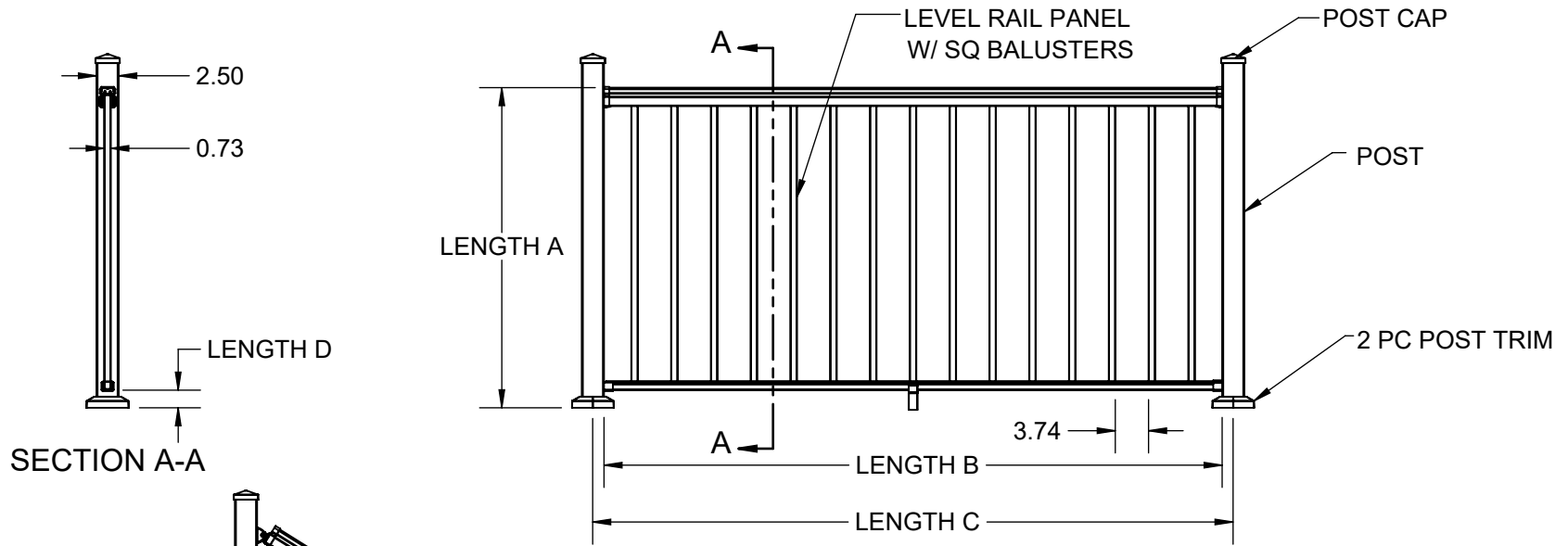


VERSARAIL ALUMINUM LEVEL AND STAIR RAIL DETAILS

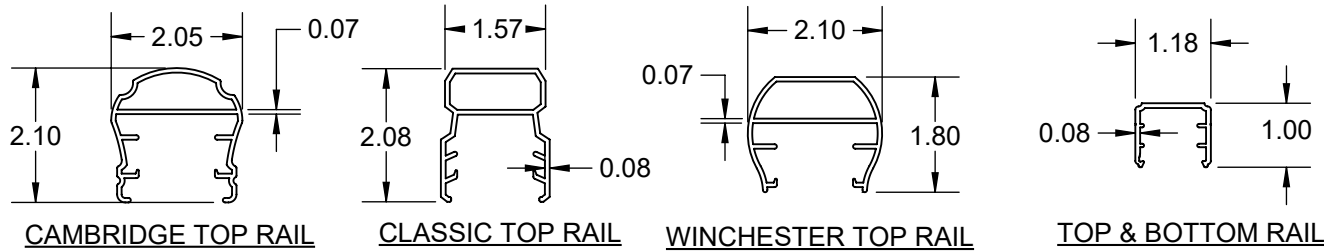


NOTE:
 (A) FINISHED RAIL HEIGHT = 36", 42"
 (B) PANEL LENGTH = 69", 93"
 (C) MAX IRC AND IBC SPANS = 96"X36", 96"X42"
 (D) BOTTOM SPACE = 2"

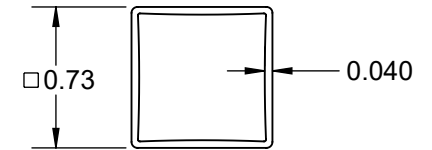
THE INFORMATION CONTAINED IN THIS DRAWING IS PROTECTED BY COPYRIGHT AND PATENT LAWS OF THE UNITED STATES AND OTHER COUNTRIES. ANY REPRODUCTION IN PART OR AS A WHOLE WITHOUT WRITTEN PERMISSION IS PROHIBITED.

Barrette OUTDOOR LIVING		
DRAWN: CH	DATE: 11/16/2021	APPROVED:
DESCRIPTION: VERSARAIL LEVEL AND STAIR RAIL		
SHEET 1 OF 10	REVISION	PART NUMBER
SCALE 1:20		N/A
WEIGHT: N/A		

TOP AND BOTTOM RAIL



BALUSTERS

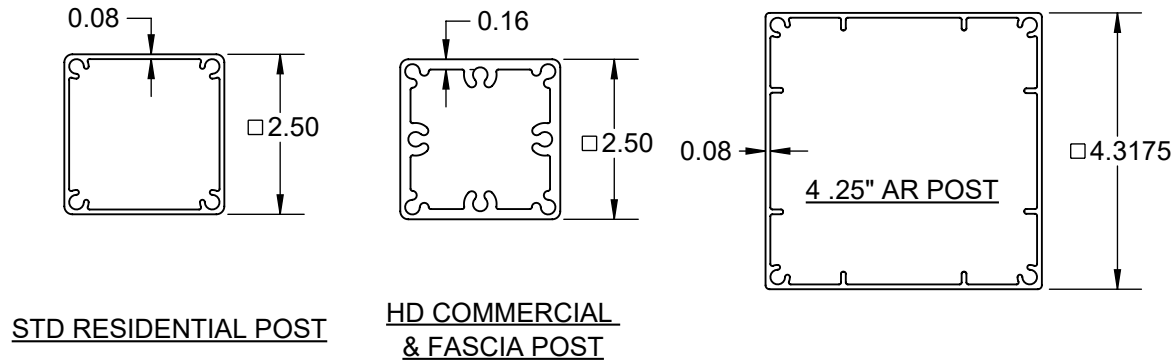


3/4" SQ. BALUSTER

NOTE:

1. BRACKET COVERS ARE INCLUDED WITH TOP RAIL.
2. FANCY TOP RAIL FITS OVER SMALL TOP RAIL.

POSTS



STD RESIDENTIAL POST

HD COMMERCIAL & FASCIA POST

4.25" AR POST

THE INFORMATION CONTAINED IN THIS DRAWING IS PROTECTED BY COPYRIGHT AND PATENT LAWS OF THE UNITED STATES AND OTHER COUNTRIES. ANY REPRODUCTION IN PART OR AS A WHOLE WITHOUT WRITTEN PERMISSION IS PROHIBITED.

Barrette
OUTDOOR LIVING

DRAWN: CH DATE: 11/18/2021 APPROVED:

DESCRIPTION: **VERSARAIL PROFILES**

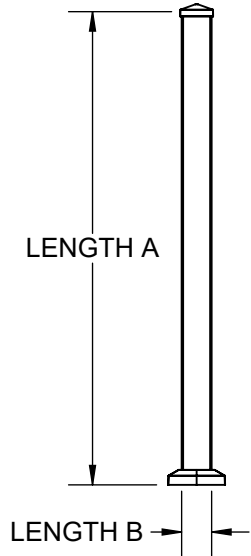
SHEET 2 OF 10
SCALE 1:3
WEIGHT: N/A

REVISION
PART NUMBER
0

N/A

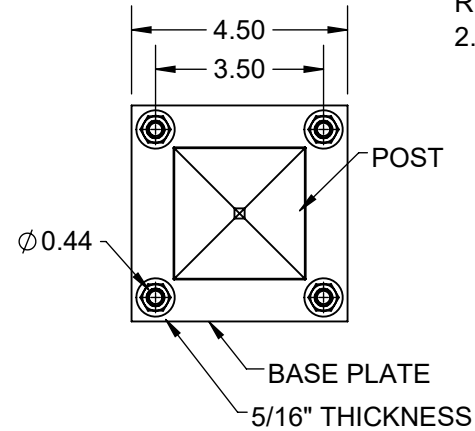
VERSARAIL POST AND SURFACE MOUNT DETAILS

NOTE: IMAGES ONLY REFERENCE 2" AND 2.5" POSTS.



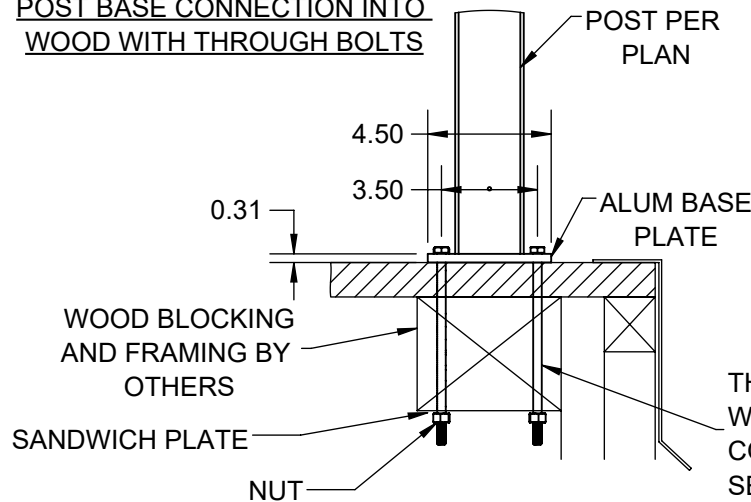
POSTS	LENGTH A	LENGTH B
STD. POST	39"	2.50"
STD. POST	45"	2.50"
STD. POST EXTENSION	65"	2.50"
HD. POST	45"	2.50"
HD. POST	60"	2.50"
FASCIA POST	45"	2.50"
FASCIA POST	52"	2.50"
4.25" AR. POST	39"	4.32"
4.25" AR. POST	45"	4.32"
4.25" AR. POST	108"	4.32"

NOTE:
2.5" POSTS INCLUDE FACTORY MOUNTED BASE PLATE, TWO PICE TRIM, POST CAP, AND LEVELING SHIMS.
4.3125" POST SOLD SEPARATELY AS COMPONENTS.

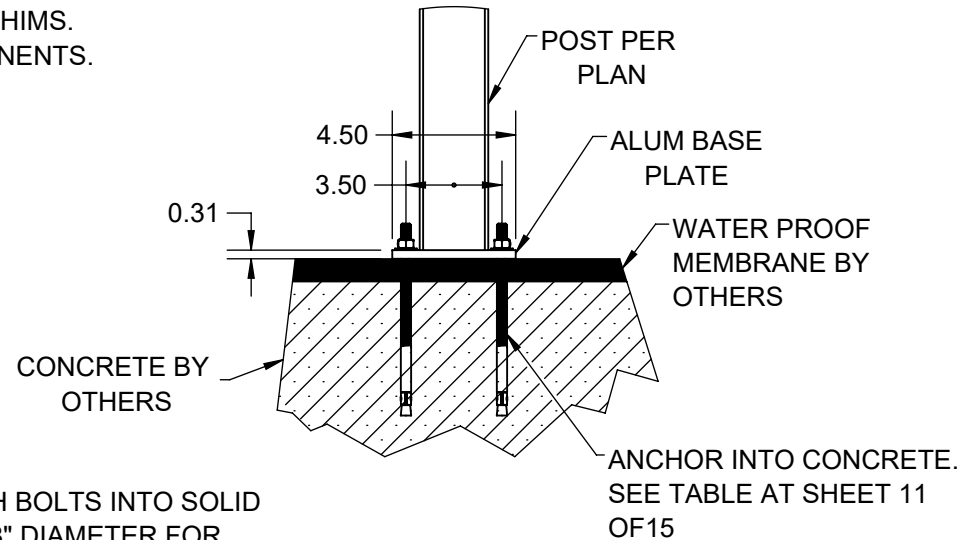


POST BASE CONNECTION INTO CONCRETE WITH WEDGE ANCHORS

POST BASE CONNECTION INTO WOOD WITH THROUGH BOLTS



THROUGH BOLTS INTO SOLID WOOD 3/8" DIAMETER FOR COMMERCIAL APPLICATIONS SEE TABLE AT SHEET 8 OF 12



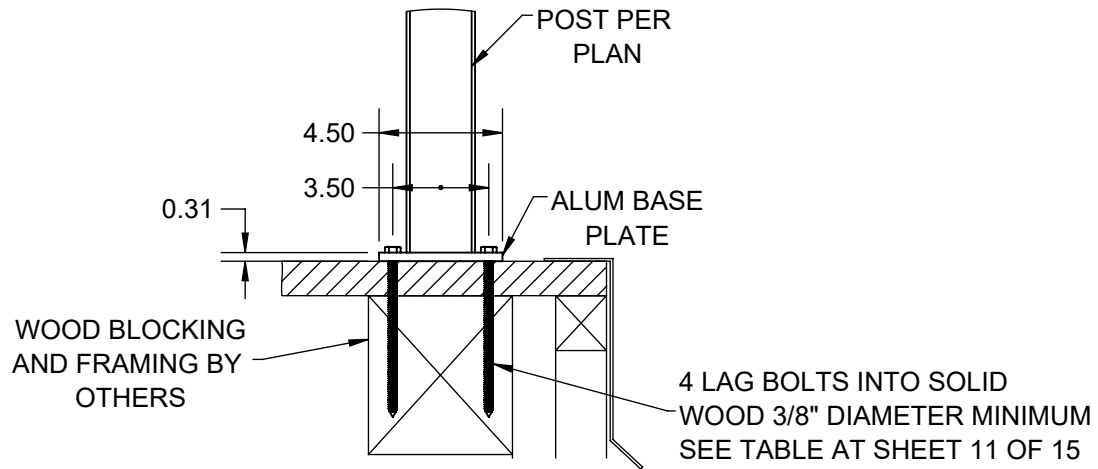
Barrette
OUTDOOR LIVING

DRAWN: CH	DATE: 11/18/2021	APPROVED:
DESCRIPTION: VERSARAIL POST AND SURFACE MOUNT		
DETAIL		
SHEET 3 OF 10	REVISION	PART NUMBER
SCALE 1:16	0	N/A
WEIGHT: N/A		

THE INFORMATION CONTAINED IN THIS DRAWING IS PROTECTED BY COPYRIGHT AND PATENT LAWS OF THE UNITED STATES AND OTHER COUNTRIES. ANY REPRODUCTION IN PART OR AS A WHOLE WITHOUT WRITTEN PERMISSION IS PROHIBITED.

- NOTE:
1. COMMERCIAL APPLICATIONS ARE ALWAYS BOLTED, USE 3/8" DIAMETER A307 THROUGH BOLTS INTO SOLID WOOD BLOCKING.
 2. WOOD BLOCKING BY OTHERS.
 3. BLOCKING MUST BE DESIGNED TO WITHSTAND PROPER LOADING.

VERSARAIL POST AND SURFACE MOUNT DETAILS



POST BASE CONNECTION INTO
WOOD WITH LAG BOLTS

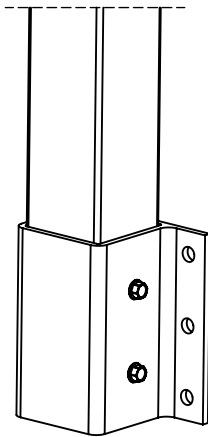
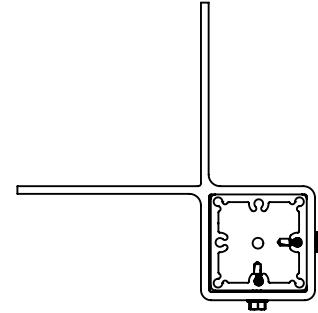
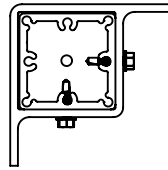
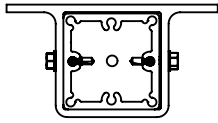
NOTE:

1. WOOD BLOCKING BY OTHERS.
2. BLOCKING MUST BE DESIGNED TO WITHSTAND PROPER LOADING.

THE INFORMATION CONTAINED IN THIS DRAWING IS PROTECTED BY COPYRIGHT AND PATENT LAWS OF THE UNITED STATES AND OTHER COUNTRIES. ANY REPRODUCTION IN PART OR AS A WHOLE WITHOUT WRITTEN PERMISSION IS PROHIBITED.

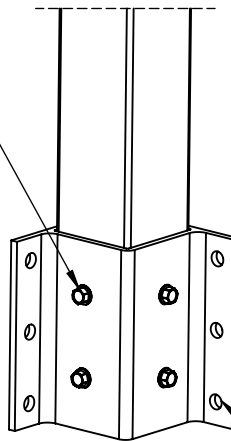
Barrette OUTDOOR LIVING		
DRAWN: CH	DATE: 11/18/2021	APPROVED:
DESCRIPTION: VERSARAIL POST AND SURFACE MOUNT DETAIL		
SHEET 4 OF 10	REVISION	PART NUMBER
SCALE 1:16		N/A
WEIGHT: N/A		

FASCIA MOUNT DETAILS



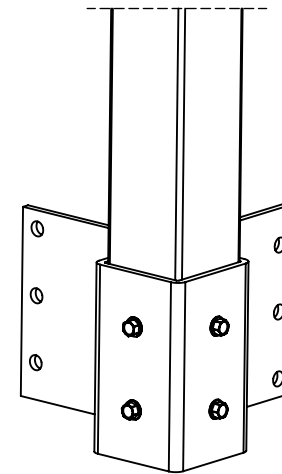
LINE POST / END POST
BRACKET

4X #14 SCREW



INSIDE CORNER POST
BRACKET

SEE TABLE AT
SHEET 11 OF 15
FOR ANCHOR
SCHEDULE

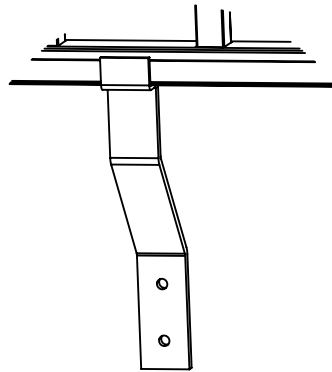
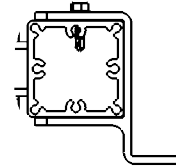
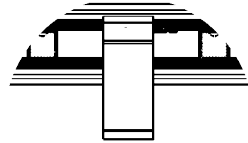


OUTSIDE CORNER POST
BRACKET

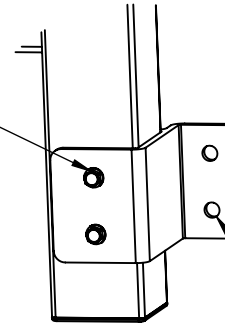
THE INFORMATION CONTAINED IN THIS DRAWING IS PROTECTED BY COPYRIGHT AND PATENT LAWS OF THE UNITED STATES AND OTHER COUNTRIES. ANY REPRODUCTION IN PART OR AS A WHOLE WITHOUT WRITTEN PERMISSION IS PROHIBITED.

Barrette OUTDOOR LIVING		
DRAWN: CH	DATE: 11/18/2021	APPROVED:
DESCRIPTION: FASCIA MOUNT DETAIL		
SHEET 5 OF 10	REVISION	PART NUMBER
SCALE 1:5		N/A
WEIGHT: N/A		

FASCIA MOUNT - JULIET DETAIL



2X #14 SCREWS



SEE TABLE AT
SHEET 11 OF 15
FOR ANCHOR
SCHEDULE

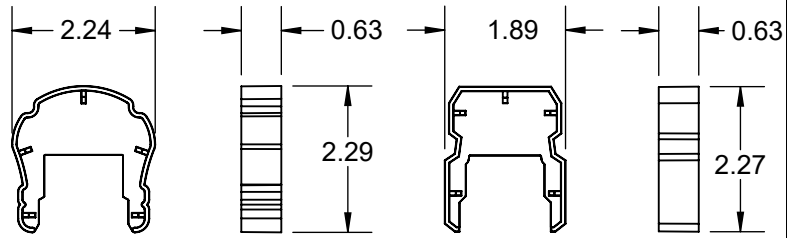
FASCIA MOUNT JULIET
SUPPORT FOOT

FASCIA MOUNT
JULIET BRACKET

THE INFORMATION CONTAINED IN THIS DRAWING IS PROTECTED BY COPYRIGHT AND PATENT LAWS OF THE UNITED STATES AND OTHER COUNTRIES. ANY REPRODUCTION IN PART OR AS A WHOLE WITHOUT WRITTEN PERMISSION IS PROHIBITED.

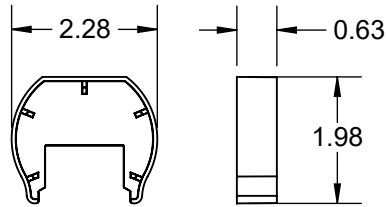
Barrette OUTDOOR LIVING		
DRAWN: CH	DATE: 11/18/2021	APPROVED:
DESCRIPTION: FASCIA MOUNT - JULIET DETAIL		
SHEET 6 OF 10	REVISION	PART NUMBER
SCALE 1:5		N/A
WEIGHT: N/A		

BRACKETS & ACCESSORIES



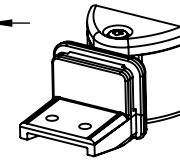
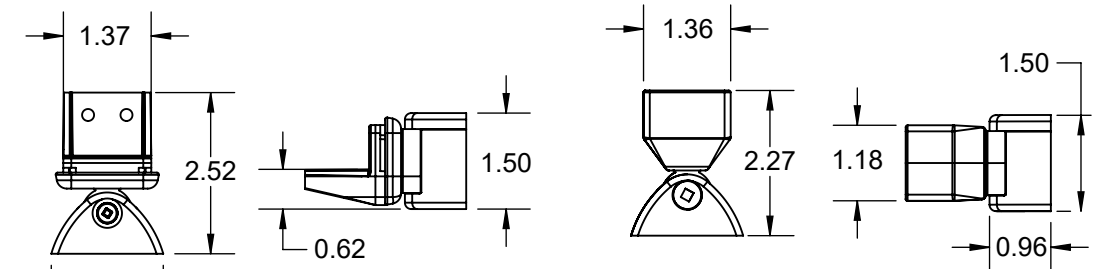
CAMBRIDGE
TOP COVER

CLASSIC
TOP COVER



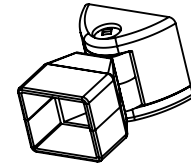
WINCHESTER
TOP COVER

BOTTOM COVER



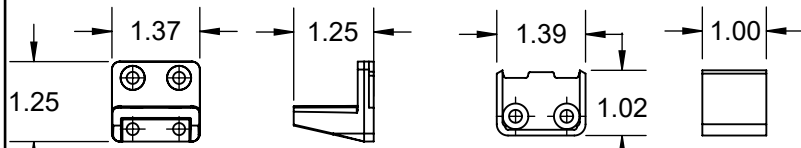
TOP BRACKET

*TOP COVER IS THE SAME AS LEVEL BRACKET



BOTTOM BRACKET

LEVEL ANGLE BRACKETS

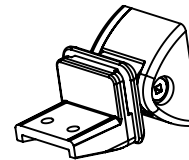
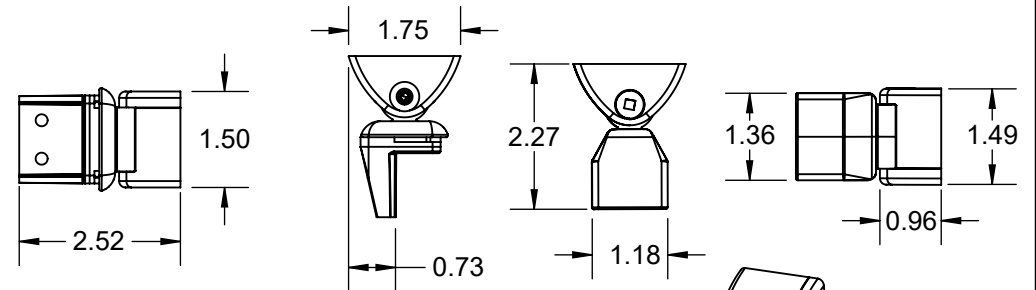


TOP BRACKET

BOTTOM BRACKET

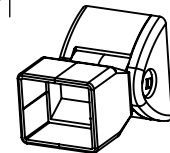
LEVEL BRACKETS

STAIR BRACKETS





TOP BRACKET

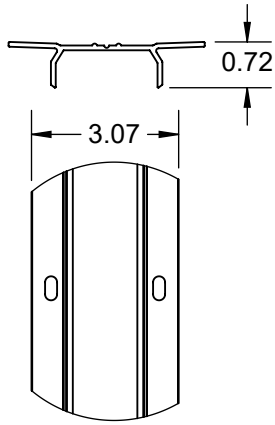
*TOP COVER IS THE SAME AS LEVEL BRACKET



BOTTOM BRACKET

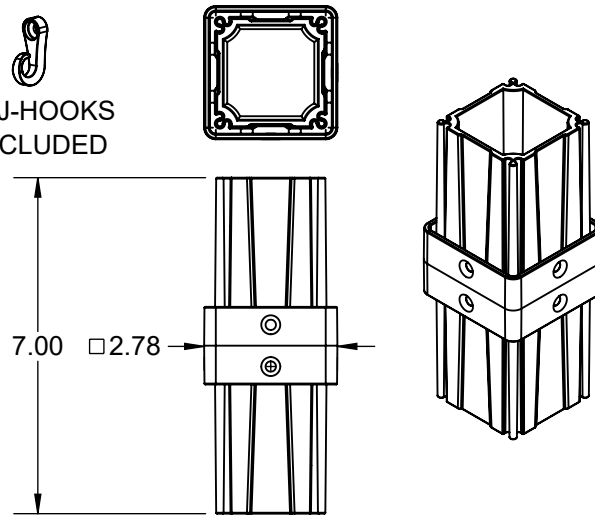
Barrette OUTDOOR LIVING 		
DRAWN: CH	DATE: 11/18/2021	APPROVED:
DESCRIPTION: VERSARAIL ACCESSORIES		
SHEET 7 OF 10	REVISION	PART NUMBER
SCALE 1:3		N/A
WEIGHT: N/A		

ACCESSORIES

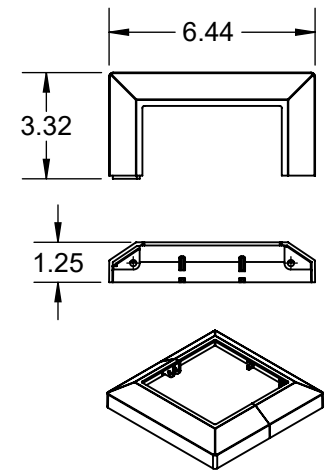


DECK TOP ADAPTER
6' AND 8' LENGTHS
HOLES EVERY 1'

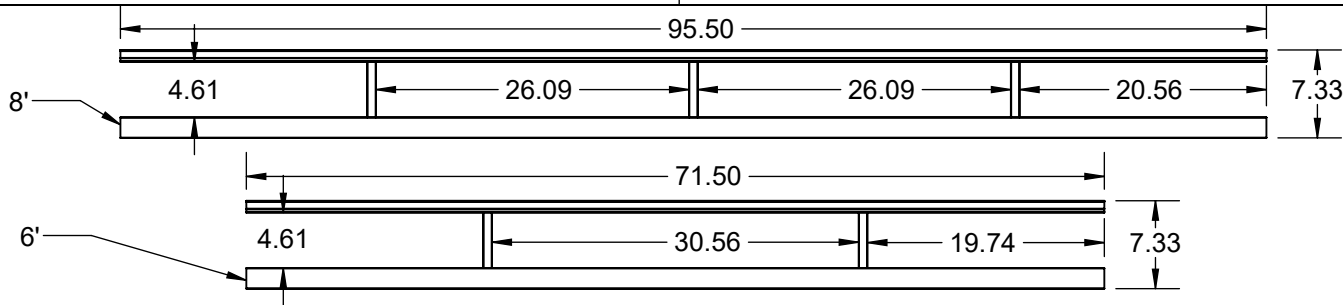
(2) J-HOOKS
INCLUDED



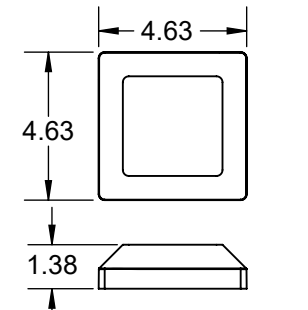
POST EXTENSION



4.25" TRIM RING



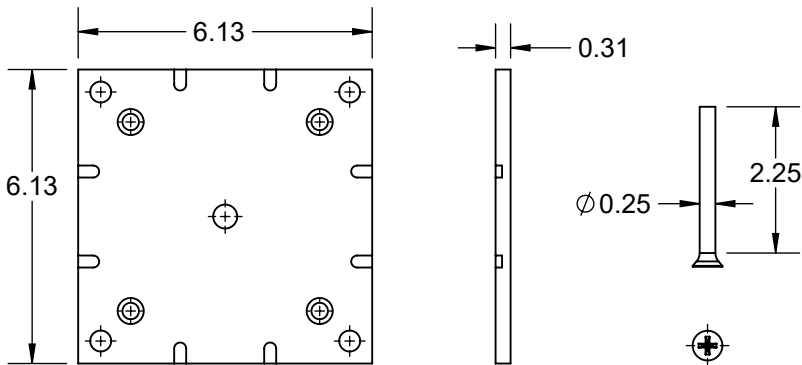
2 - TO - 3 RAIL ADAPTER



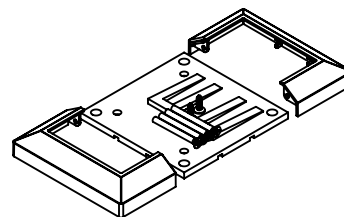
4.25" FLAT POST CAP

4.25" MOUNTING KIT

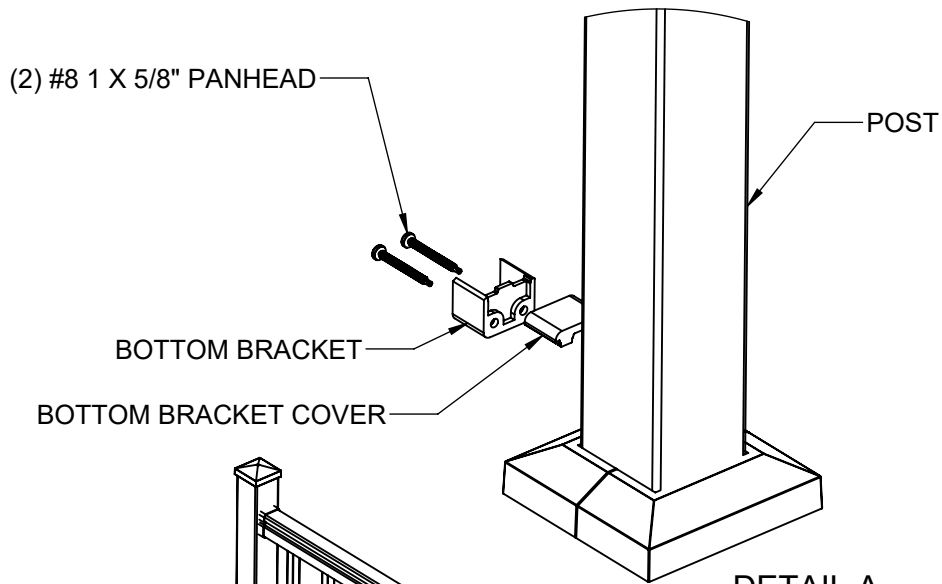
108" POST SLEEVE CAN BE USED AS A STRUCTURAL POST
(REQUIRES 2 MOUNTING KITS)



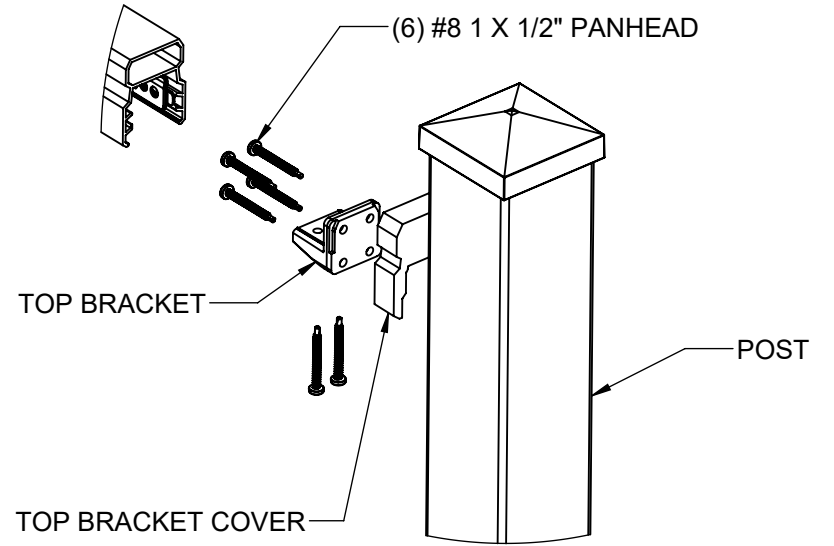
MOUNTING KIT COMES WITH TRIM RING



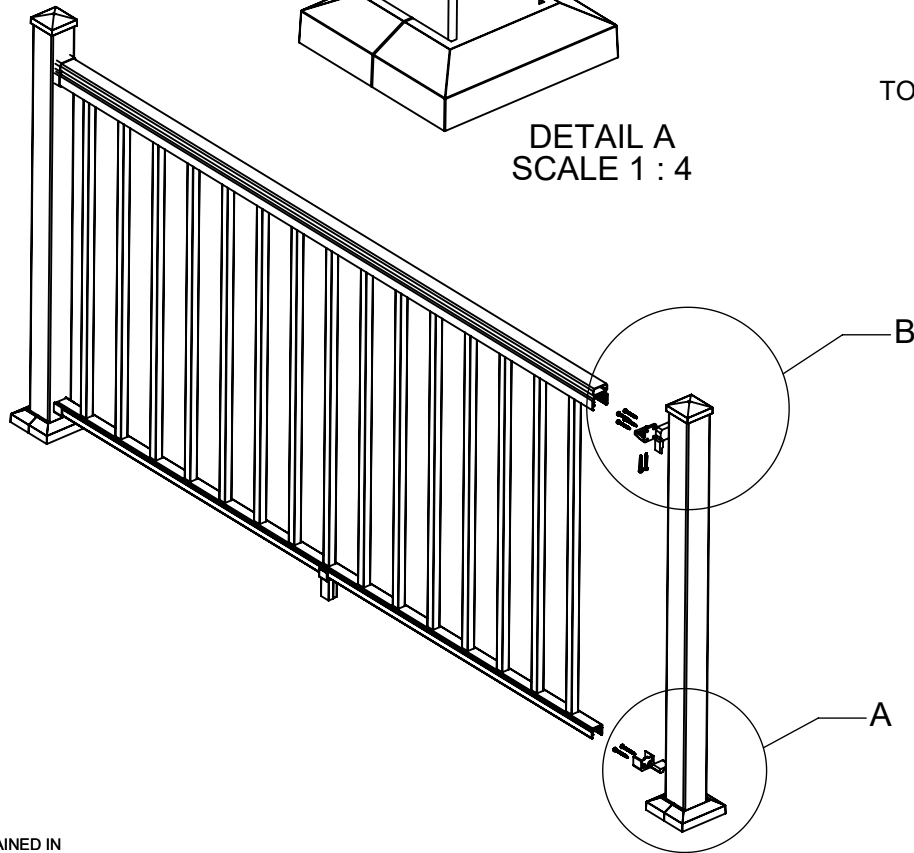
Barrette OUTDOOR LIVING		
DRAWN: CH	DATE: 11/18/2021	APPROVED:
VERSARAIL ACCESSORIES		
SHEET 8 OF 10	REVISION	PART NUMBER
SCALE 1:4	0	N/A
WEIGHT: N/A		





DETAIL A
SCALE 1 : 4

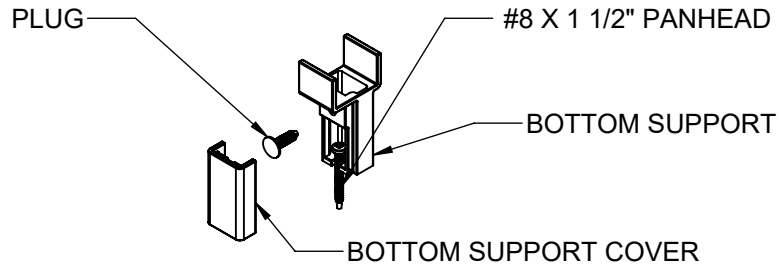


DETAIL B
SCALE 1 : 4

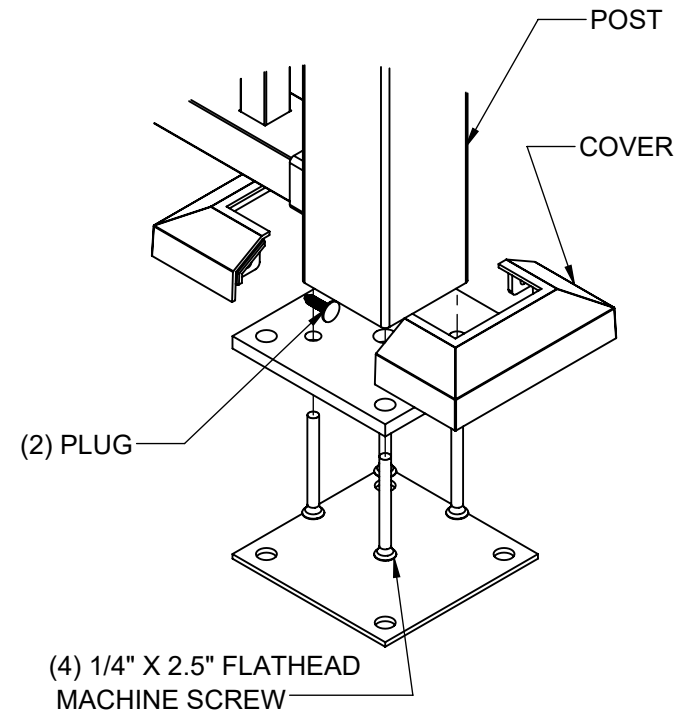


THE INFORMATION CONTAINED IN THIS DRAWING IS PROTECTED BY COPYRIGHT AND PATENT LAWS OF THE UNITED STATES AND OTHER COUNTRIES. ANY REPRODUCTION IN PART OR AS A WHOLE WITHOUT WRITTEN PERMISSION IS PROHIBITED.

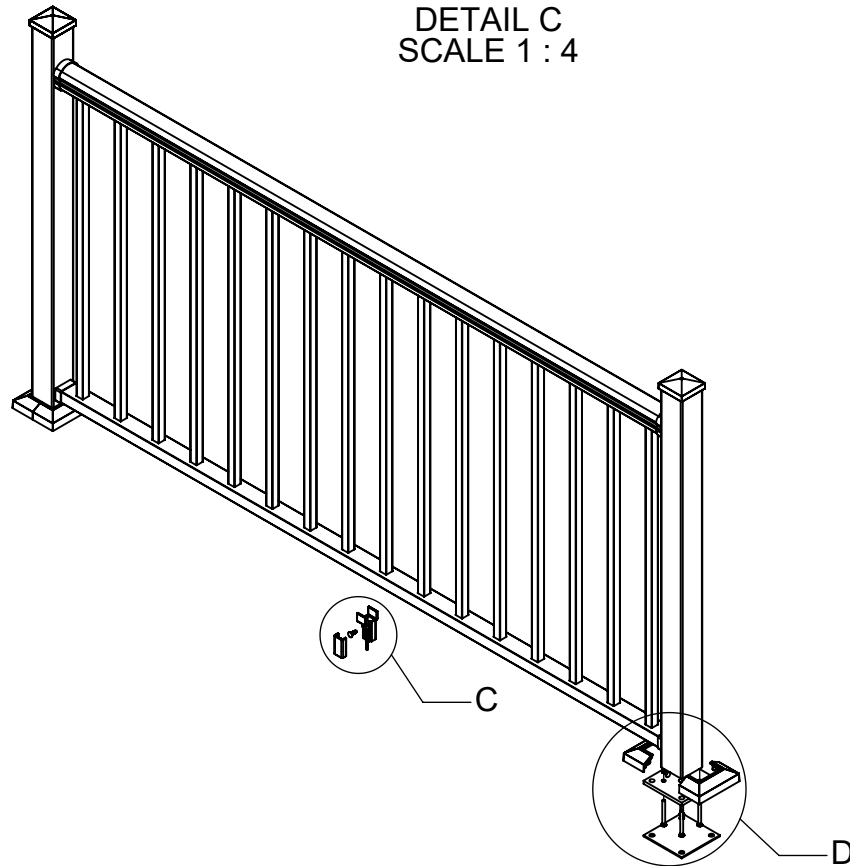
Barrette OUTDOOR LIVING 		
DRAWN: CH	DATE: 11/18/2021	APPROVED:
DESCRIPTION: VERSARAIL FASTENER DETAIL		
SHEET 9 OF 10	REVISION	PART NUMBER
SCALE 1:16		N/A
WEIGHT: N/A		





DETAIL C
SCALE 1 : 4



DETAIL D
SCALE 1 : 4



THE INFORMATION CONTAINED IN THIS DRAWING IS PROTECTED BY COPYRIGHT AND PATENT LAWS OF THE UNITED STATES AND OTHER COUNTRIES. ANY REPRODUCTION IN PART OR AS A WHOLE WITHOUT WRITTEN PERMISSION IS PROHIBITED.

Barrette OUTDOOR LIVING 		
DRAWN: CH	DATE: 11/18/2021	APPROVED:
DESCRIPTION: VERSARAIL FASTENER DETAIL		
SHEET 10 OF 10	REVISION	PART NUMBER
SCALE 1:16		N/A
WEIGHT: N/A		