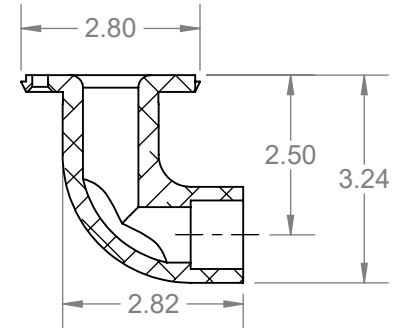
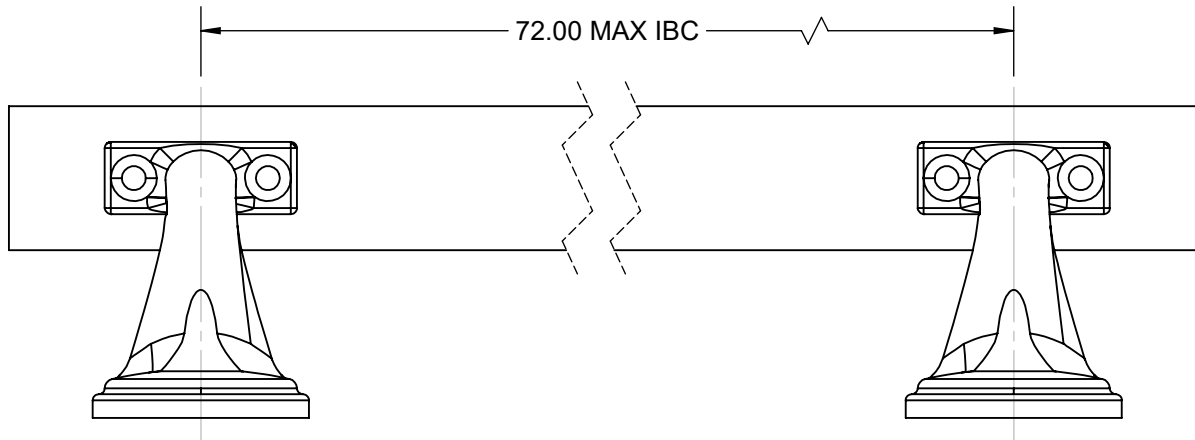
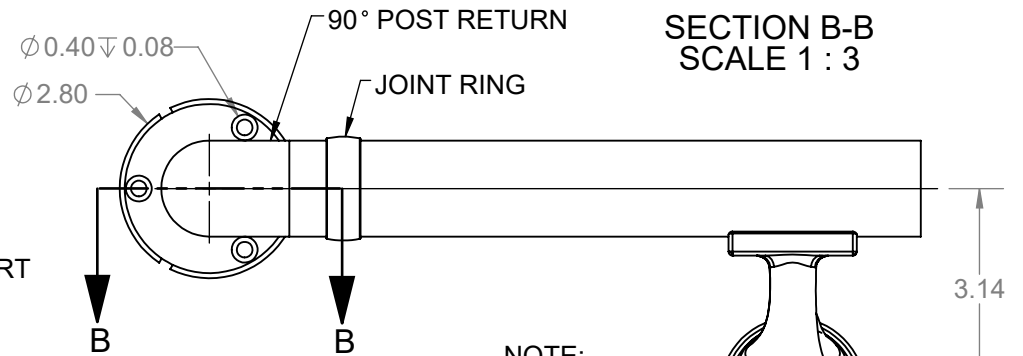
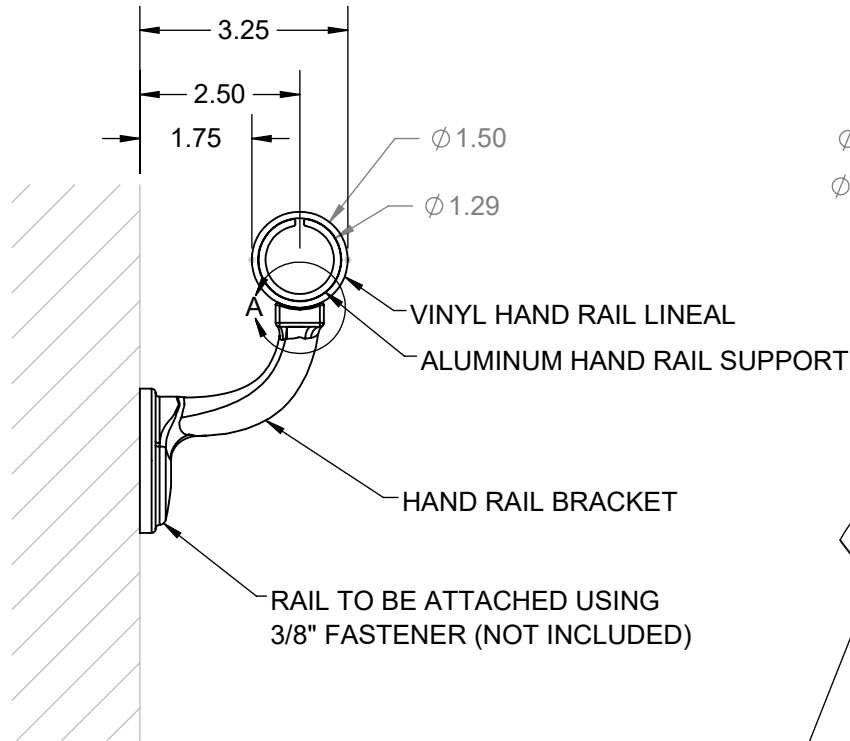


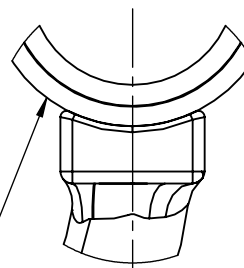
VINYL ADA HAND RAIL DETAILS



SECTION B-B
SCALE 1 : 3



NOTE:
INCLUDES
CAP COVER
HOLE SIZED FOR
3/8" FASTENER
Ø 2.25



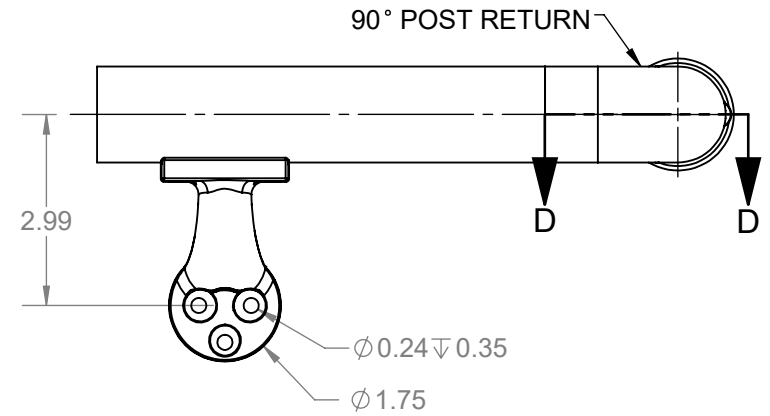
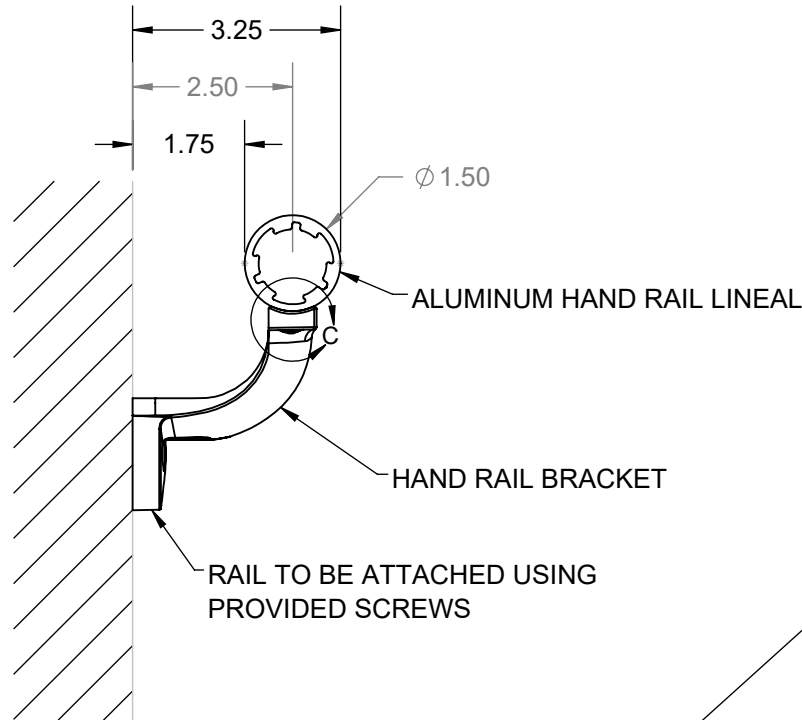
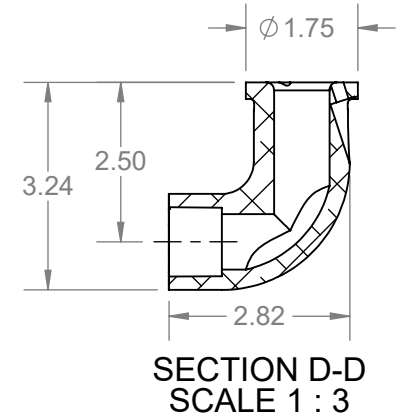
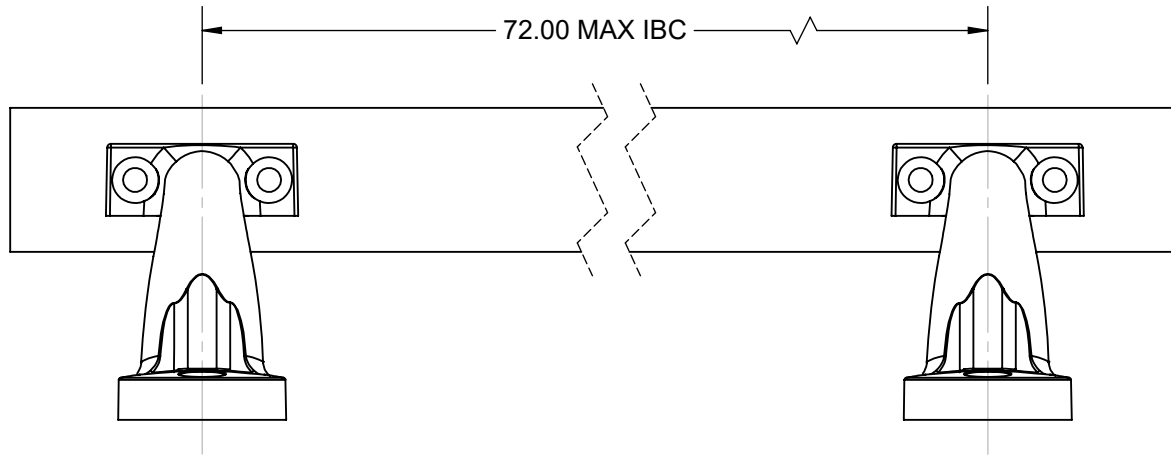
RAIL TO BE ATTACHED TO
BRACKET USING PROVIDED
SCREWS

DETAIL A
SCALE 1 : 1

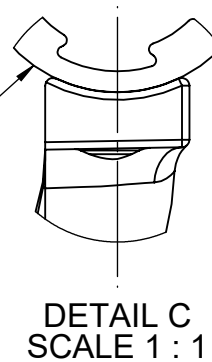
THE INFORMATION CONTAINED IN THIS DRAWING IS PROTECTED BY COPYRIGHT AND PATENT LAWS OF THE UNITED STATES AND OTHER COUNTRIES. ANY REPRODUCTION IN PART OR AS A WHOLE WITHOUT WRITTEN PERMISSION IS PROHIBITED.

| | | |
|--|-----------------|-------------|
| Barrette OUTDOOR LIVING | | |
| DRAWN: RP | DATE: 4/17/2018 | APPROVED: |
| DESCRIPTION: VINYL HAND RAIL | | |
| SHEET 1 OF 5 | REVISION | PART NUMBER |
| SCALE 1:8 | 0 | N/A |
| WEIGHT: N/A | | |

ALUMINUM ADA HAND RAIL DETAILS



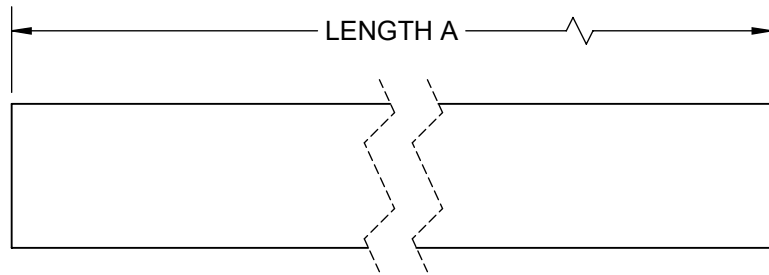
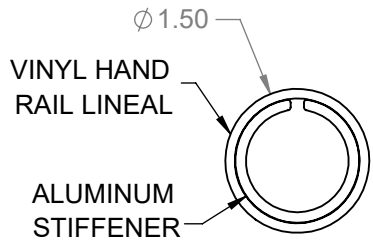
RAIL TO BE ATTACHED TO BRACKET USING PROVIDED SCREWS



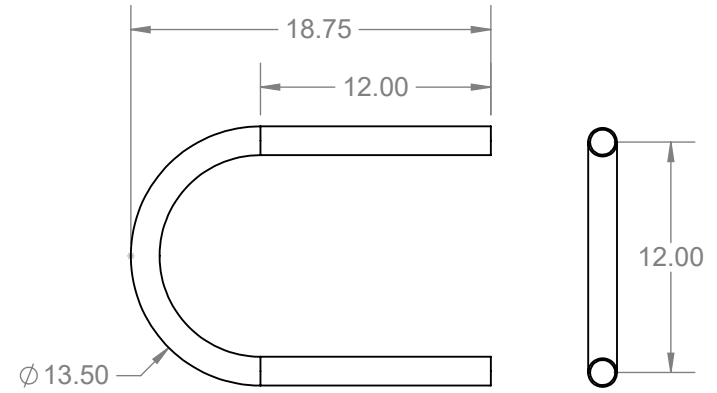
THE INFORMATION CONTAINED IN THIS DRAWING IS PROTECTED BY COPYRIGHT AND PATENT LAWS OF THE UNITED STATES AND OTHER COUNTRIES. ANY REPRODUCTION IN PART OR AS A WHOLE WITHOUT WRITTEN PERMISSION IS PROHIBITED.

| | | |
|---|-----------------|-------------|
| Barrette OUTDOOR LIVING | | |
| DRAWN: RP | DATE: 4/17/2018 | APPROVED: |
| DESCRIPTION: ALUMINUM HAND RAIL | | |
| SHEET 2 OF 5 | REVISION | PART NUMBER |
| SCALE 1:8 | 0 | N/A |
| WEIGHT: N/A | | |

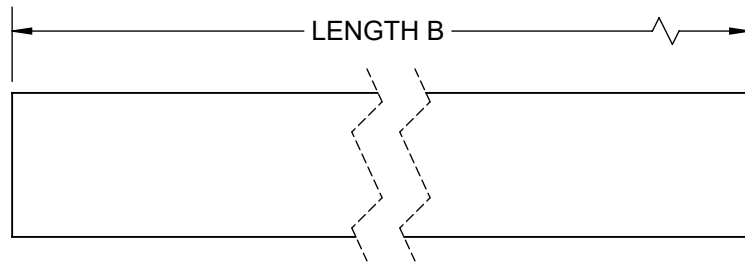
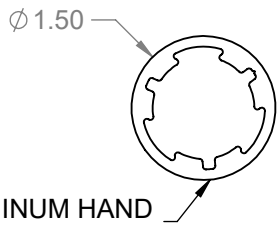
HAND RAIL COMPONENTS DETAILS



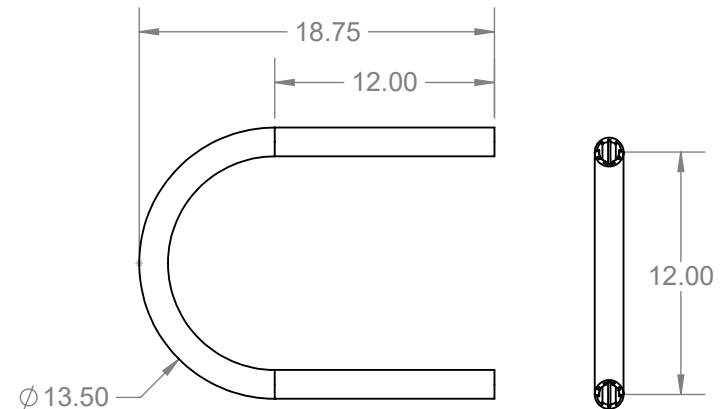
NOTE:
(A) VINYL LINEAL LENGTH = 80", 104", 120"



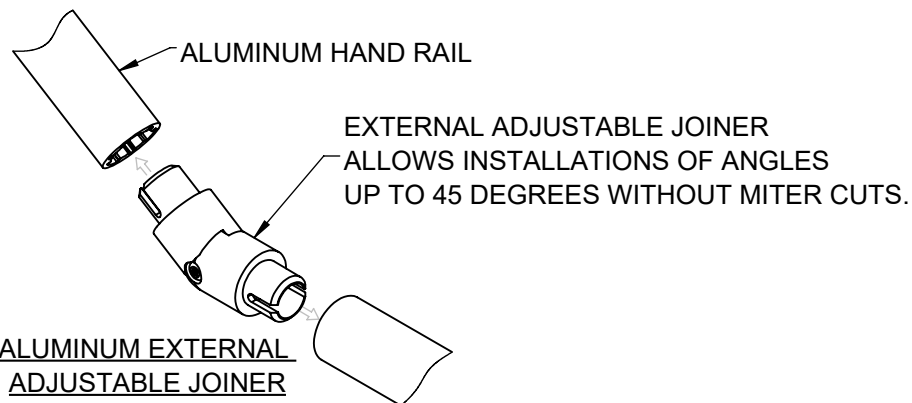
VINYL 180° RETURN LOOP



NOTE:
(B) ALUMINUM LINEAL LENGTH = 80", 104", 120"



ALUMINUM 180° RETURN LOOP

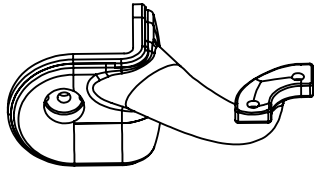


THE INFORMATION CONTAINED IN THIS DRAWING IS PROTECTED BY COPYRIGHT AND PATENT LAWS OF THE UNITED STATES AND OTHER COUNTRIES. ANY REPRODUCTION IN PART OR AS A WHOLE WITHOUT WRITTEN PERMISSION IS PROHIBITED.

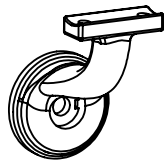
| | | |
|---|-----------------|-------------|
| Barrette OUTDOOR LIVING | | |
| DRAWN: RP | DATE: 4/17/2018 | APPROVED: |
| DESCRIPTION: HAND RAIL COMPONENTS | | |
| SHEET 3 OF 5 | REVISION | PART NUMBER |
| SCALE 1:8 | | N/A |
| WEIGHT: N/A | | |

VINYL BRACKET COMPONENTS

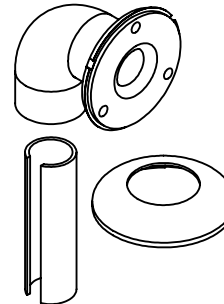
INSIDE
CORNER BRKT



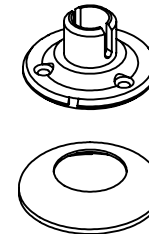
MOUNTING BRKT



90° POST
RETURN



STRAIGHT WALL
RETURN



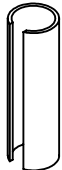
PVC COVER

NOTE:

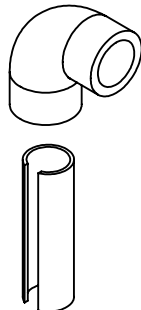
1. BRACKETS INCLUDE SCREWS TO ATTACH
HANDRAILS; SCREWS TO ATTACH TO POST
SOLD SEPARATELY

VINYL JOINER COMPONENTS

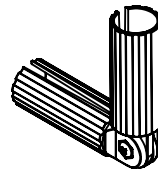
STRAIGHT
JOINER



90° CORNER

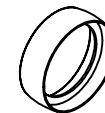


INTERNAL ADJUSTABLE
JOINER



VINYL ACCESSORIES

JOINT RING



END CAP



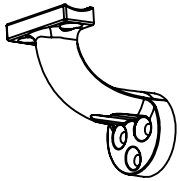
THE INFORMATION CONTAINED IN
THIS DRAWING IS PROTECTED BY
COPYRIGHT AND PATENT LAWS
OF THE UNITED STATES AND
OTHER COUNTRIES. ANY
REPRODUCTION IN PART OR AS A
WHOLE WITHOUT WRITTEN
PERMISSION IS PROHIBITED.

Barrette
OUTDOOR LIVING

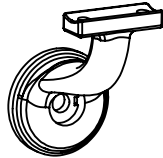
| | | |
|--|--------------------------------|----------------------------|
| <small>DRAWN:</small> RP | <small>DATE:</small> 4/17/2018 | <small>APPROVED:</small> |
| <small>DESCRIPTION:</small> <b style="text-align: center;">VINYL HAND RAIL COMPONENTS | | |
| SHEET 4 OF 5 | <small>REVISION</small> | <small>PART NUMBER</small> |
| SCALE 1:4 | | N/A |
| WEIGHT: N/A | | |

ALUMINUM HAND RAIL COMPONENTS

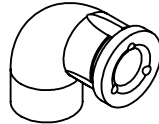
MOUNTING BRKT



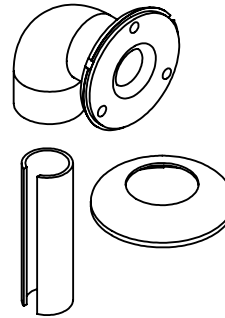
MOUNTING BRKT FOR VINYL POSTS



90° POST RETURN



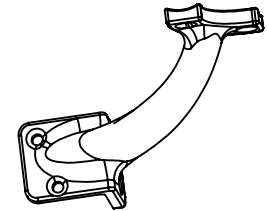
90° POST RETURN FOR VINYL POSTS



STRAIGHT WALL RETURN



INSIDE CORNER MOUNTING BRKT

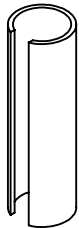


NOTE:

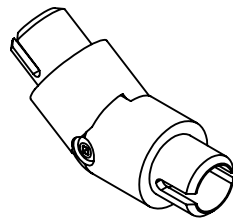
1. BRACKETS INCLUDE SCREWS TO ATTACH HANDRAILS AND HARDWARE FOR POSTS

ALUMINUM JOINER COMPONENTS

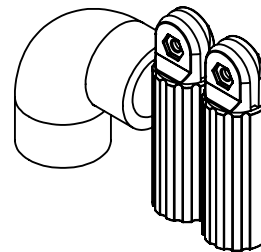
STRAIGHT JOINER



EXTERNAL ADJUSTABLE JOINER

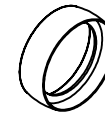


90° CORNER



ALUMINUM ACCESSORIES

JOINT RING



END CAP



SPACER BLOCK



THE INFORMATION CONTAINED IN THIS DRAWING IS PROTECTED BY COPYRIGHT AND PATENT LAWS OF THE UNITED STATES AND OTHER COUNTRIES. ANY REPRODUCTION IN PART OR AS A WHOLE WITHOUT WRITTEN PERMISSION IS PROHIBITED.

| | | |
|--|------------------|-------------|
| Barrette OUTDOOR LIVING | | |
| DRAWN: RP | DATE: 10/25/2018 | APPROVED: |
| DESCRIPTION: ALUMINUM HAND RAIL COMPONENTS | | |
| SHEET 5 OF 5 | REVISION | PART NUMBER |
| SCALE 1:4 | 0 | N/A |
| WEIGHT: N/A | | |