



## PRIVACY RAILING KIT

### Installation Instructions

English .....	1
Français .....	13
Español.....	25



Read all instructions prior to installing product.  
Refer to manufacturers safety instructions when operating any tools.

To register your product, please visit: [barretteoutdoorliving.com](http://barretteoutdoorliving.com)

**⚠ WARNING:**

- Improper installation of this product can result in personal injury. Always wear safety goggles when cutting, drilling and assembling the product.
- Incorrect installation may cause harm to the product or individual.

**NOTICE:**

- DO NOT attempt to assemble the kit if parts are missing or damaged.
- DO NOT return the product to the store. For assistance or replacement parts call: 1-800-336-2383.

**BEFORE YOU BEGIN:**

- It is the responsibility of the installer to meet and/or exceed all code and safety requirements and to obtain all required building code permits.
- The deck and railing installer should determine and implement appropriate installation techniques for each installation.
- Additional products and assembly may be required to meet wind code requirements. Notice of acceptance (NOA) can be found at [www.miamidade.gov/building/pc-search\\_app.asp](http://www.miamidade.gov/building/pc-search_app.asp)

**TOOLS/  
MATERIALS  
NEEDED:**

Level
Tape Measure
Safety Glasses
Drill
1/8" Drill Bit
9/16" Nut Driver
Rubber Mallet
Chalk Line
2" Spacer Blocks
2"x8" Wooden Blocks (For structural deck blocking)

**FASTENERS NEEDED:  
DEPENDING ON  
INSTALL METHOD  
(SOLD SEPARATELY)**

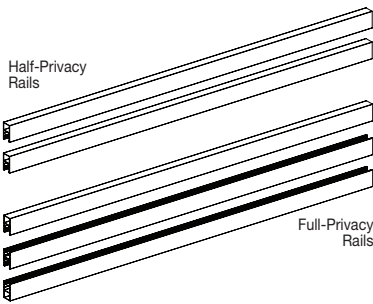
$\frac{3}{8}$ " Galvanized Bolts with Nuts and Washers (For Deck/Wood) (6" long minimum)
$\frac{3}{8}$ " Masonry Anchors (For Concrete)
#10 x $3\frac{1}{2}$ " deck screws (For post blocking)

**Half-Privacy Kit Components:**

Description
Top Rail
Bottom Rail

**Full-Privacy Kit Components:**

Description
Top Rail
Mid Rail
Bottom Rail



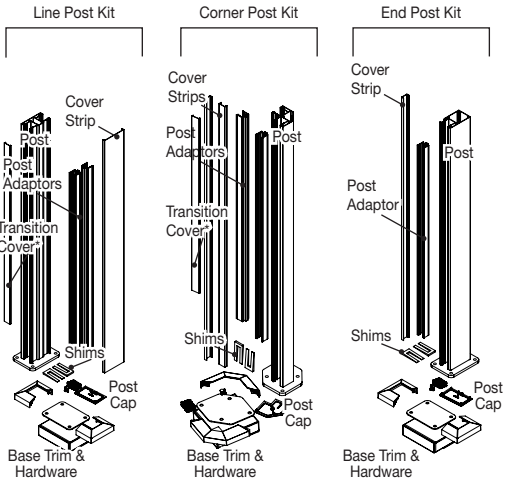
Infill Boards  
(Sold Separately)



**Sold Separately:**

42" or 72" Line Post Kit*
42" or 72" Corner Post Kit*
42" or 72" End Post Kit
Infill Boards

\* Transition covers are included with 72" Post Kits



To obtain and review a copy of the warranty please visit [barretteoutdoorliving.com](http://barretteoutdoorliving.com). You may also contact us at 1-800-336 2383 or email [Cs.outdoorliving@ebarette.com](mailto:Cs.outdoorliving@ebarette.com)

## IMPORTANT NOTE:

Privacy railing has been designed to meet IBC code requirements. Please follow the guidelines listed throughout and contact customer service with any additional information, questions, or concerns.

In areas where wind loading is a concern and code requirement, railing systems may require shorter spans depending on height and potential increased loading. In these areas, please see the maximum railing spans listed in the table at the right.

Wind Table – Post Spacing	
Panel Height (In inches)	Post Spacing (Inside edges) (In inches)
≤ 48	64
≤ 48 – 54	50
≤ 54 – 60	38
≥ 66 – 72 Max	30

## Installation For Full-Privacy Railing

# 1.

A full privacy railing kit creates a 72" tall railing section. Posts are spaced 64" inside edge of post to inside edge of post and use full length infill boards (66" long) and rails (66 $\frac{1}{8}$ ") during assembly.

### NOTE:

Eleven (11) infill boards are required for a 72" high panel.

# 2.

- Posts are designed and manufactured to accept 3/8" fasteners (sold separately) for bolting to surface. Be sure to use appropriate fasteners for your installation.
- Determine the placement of the posts by evenly spacing them along the deck. Ensure sufficient mounting structure exists at these locations. Note that the maximum distance between posts can be 64" inside edge of post to inside edge of post See Step 5 (Fig. 9) for reference.

### NOTE:

A minimum of 4" solid blocking is required for standard installation. However, additional structure may be required depending on application. Always refer to local building codes for installation requirements.

# 3.

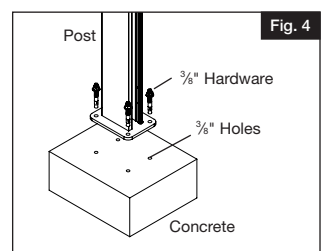
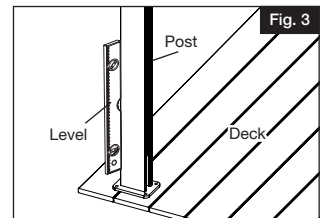
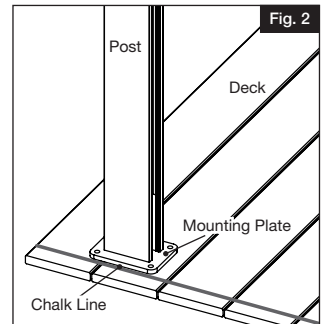
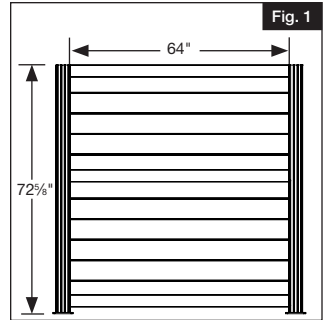
Snap a chalk line onto the mounting surface to ensure that all posts are aligned properly (Fig. 2). Plumb and level the posts (Fig. 3).

Secure posts into position.

# 4a.

### Concrete application:

Use the post assembly to mark the holes for the concrete anchors as required by applicable building codes. The holes in the surface mounting plate will allow for a max size of a 3/8" anchor (Fig. 4).



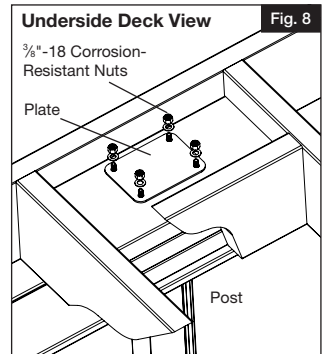
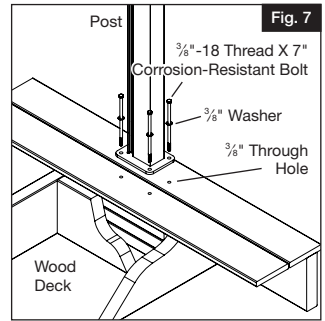
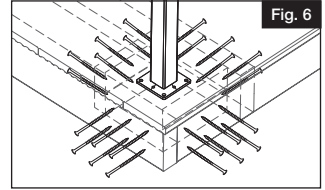
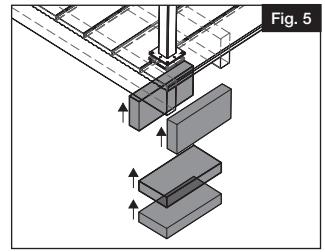
# 4b.

Through bolt application:

- a. Install blocking at post locations determined in Step 2b.
- b. Beneath all post locations install at least two (2) 2x8 blocks (Fig. 5) using at least three (3) #10x3½" deck screws (sold separately) penetrating through the joists at least 1½" into the blocks (Fig. 6).
- c. Use the post assembly to mark the holes for the surface mounting plate (Fig. 7). Mark and pre-drill ⅜" holes through wood deck (Fig. 7).
- d. Secure post to the deck using ⅜" galvanized bolts, washers, and nuts (Minimum 6" long) through decking, blocking, and required ⅜" mounting sandwich plate to underside of blocking (Fig. 8).

**TIP:**

Shims are included with your post kit. Use these to plum your posts before finishing your installation to be sure all posts are level.



# 5.

Measure to install posts. If not cutting down rails, inside edge of post should measure 64" (Fig. 9). Install posts accordingly.

**NOTE:**

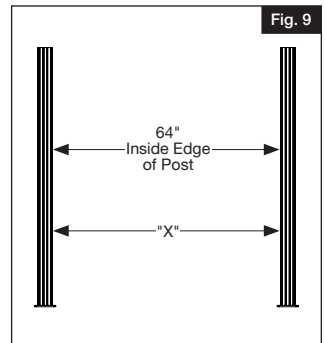
If cutting section down, see below for calculation for rails and infill boards lengths:

"X" = Inside Edge of Post

Rail Length = "X" + 2.75"

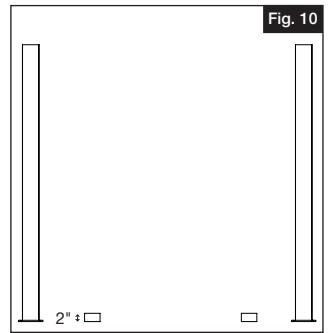
Infill Board Length = "X" + 2.00"

See Figure 8 for reference.



# 6.

Once posts are set, place 2" spacer blocks to support bottom rail (Fig. 10).

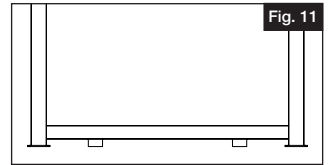


# 7.

Place bottom rail inside the posts, resting it on the 2" spacer blocks (Fig. 11).

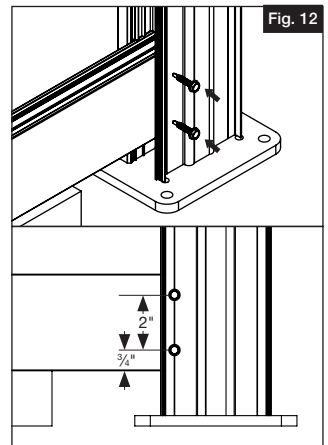
**TIP:**

The rail may need to be inserted at an angle in one post to start before resting it fully on the blocks and in both posts.



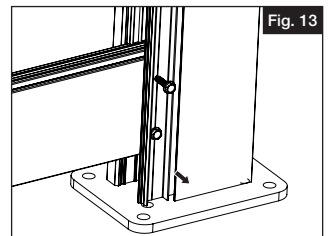
# 8.

Pre-drill rail using a 1/8" drill bit. Attach bottom rail using two 3/4" Hex Head screws with 5/16" Hex Head Driver. Bottom screw should be 3/4" from the bottom of the bottom rail. Screws should be 2" apart from each other. (Fig. 12).



# 9.

Back out the top screw so that the channel is clear until infill boards are installed (Fig. 13). Repeat Steps 7 & 8 on other post.



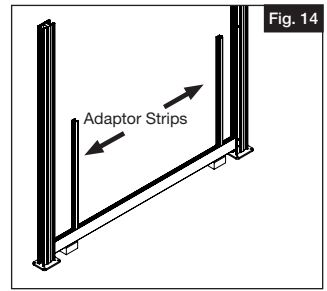
# 10.

Snap plastic post adaptor strips into post channel (Fig. 14).

**NOTE:**

If installing mid-rail at 36": bottom post adaptors are the shorter length at 27" long.

If installing mid-rail at 42": bottom post adaptors are the longer length at 31 $\frac{5}{16}$ ".



# 11.

Next, install horizontal boards (see Step 5 for calculations on cutting infill boards if necessary):

Install (6) boards\* horizontally into bottom rail (Fig. 15).

\* Depending on desired height of mid-rail (36" or 42") you will need a different number of boards on top and bottom.

For 36" height:

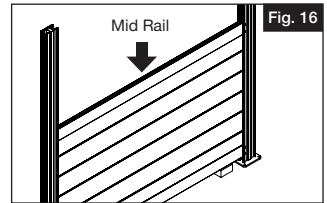
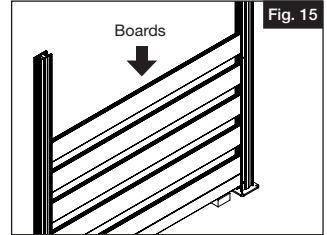
- 5 boards below mid rail
- 6 boards above mid rail

For 42" height:

- 6 boards below mid rail
- 5 boards above mid rail

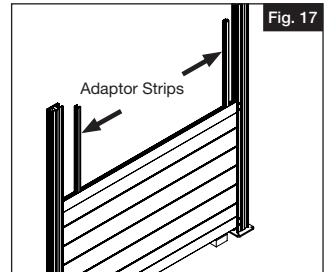
**NOTE:**

Lightly use rubber mallet as needed to fully nest the boards on top of each other. Boards may need to be inserted at an angle to start for easier installation.



# 12.

Install mid-rail (Fig. 16). Snap second set of post adaptor strips into post channels above mid-rail (Fig. 17). Insert the next (6) boards\* over mid-rail.

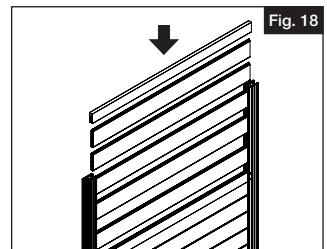


# 13.

Install top rail on top of the boards, pre-drill with a 1/8" drill bit, and screw all three rails into place (Fig 18). Screws should be 2" apart from each other with bottom screw attached about 3/4" above the bottom of the rail.

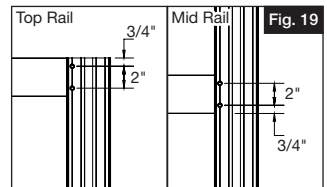
**NOTE:**

Screw all three rails into place at both ends of the rail through both posts. This is done by securing two screws through the mid rail and two screws in the top rail at each end (Fig. 19).



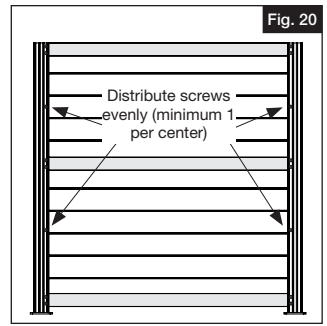
# 14.

Remove the 2" spacer blocks from under the bottom rail.



# 15.

Each post comes with sixteen (16) screws, but not all screws are used in each assembly. For additional security, use remaining screws to fasten infill boards to posts. Screws should be distributed evenly between top and bottom sections of the rail and used on each end of the boards. Locate screws midway between all three rails (halfway between mid and top rail, halfway between mid and bottom rail) for best results. These screws will go into the channel aligned with screws used to lock rails into place (Fig 20).



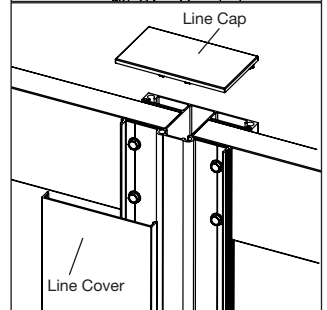
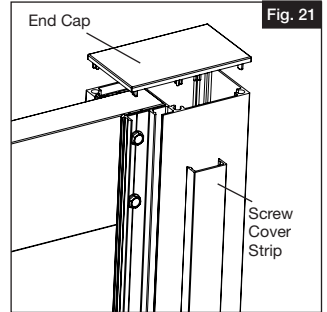
# 16.

Snap/slide aluminum screw cover strip (from post kit) into place by holding cover approximately 6" from top of post.

Hook one side of the cover and push down to snap the other side.

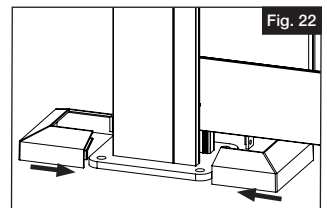
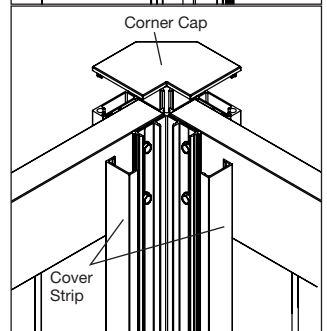
Slide the cover down the post to hide the screws (Fig. 21).

Install post cap to top of post. Use a soft rubber mallet if necessary to obtain a firm fit. (Fig. 21)



# 17.

Assemble post base trim over plate. Take one side of trim ring and push plastic plugs through hole underneath. Take second half of the trim ring and push together (Fig. 22). Slide over plate for a finished look.



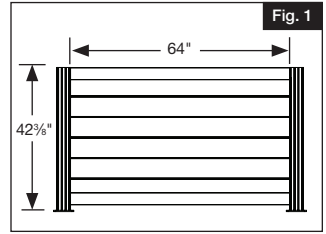
## Installation For Half-Privacy Railing

# 1.

A half privacy railing kit creates a 42" tall railing section. Posts are spaced 64" inside edge of post to inside edge of post and use full length infill boards (66" long) and rails (66 $\frac{7}{8}$ ") during assembly (Fig. 1).

**NOTE:**

- Six (6) infill boards are required for a 42" high panel, and five (5) boards for 36".
- Posts are 42 $\frac{3}{8}$ " and designed to allow a little room above the top rail so that other rail systems can attach to it if required. You may cut  $\frac{1}{4}$ " off the post to have the top cap sit flush with the rail if desired when transitioning between privacy panels.
- These posts can also be cut down for a 36" rail height. Cut posts down 6" for a 36" finished rail height and post height of 36 $\frac{3}{8}$ " when attaching to another rail system. You may cut posts down 6 $\frac{1}{4}$ " to have posts top flush with the top rail if desired when transitioning between privacy panels

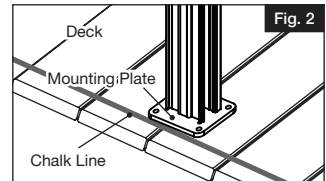


# 2.

- a. Posts are designed and manufactured to accept  $\frac{3}{8}$ " fasteners (sold separately) for bolting to surface. Be sure to use appropriate fasteners for your installation.
- b. Determine the placement of the posts by evenly spacing them along the deck. Ensure sufficient mounting structure exists at these locations. Note that the maximum distance between posts can be 64" inside edge of post to inside edge of post See Step 5 (Fig. 9) for reference.

**NOTE:**

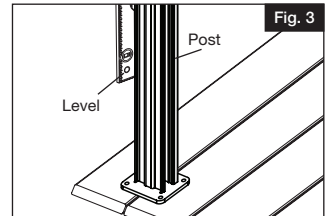
A minimum of 4" solid blocking is required for standard installation. However, additional structure may be required depending on application. Always refer to local building codes for installation requirements.



# 3.

Snap a chalk line onto the mounting surface to ensure that all posts are aligned properly (Fig. 2). Plumb and level the posts (Fig. 3).

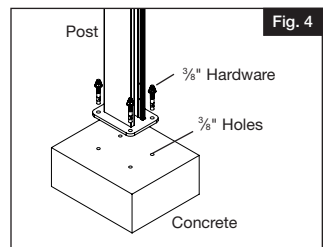
Secure posts into position.



# 4a.

**Concrete application:**

Use the post assembly to mark the holes for the concrete anchors as required by applicable building codes. The holes in the surface mounting plate will allow for a max size of a  $\frac{3}{8}$ " anchor (Fig. 4).





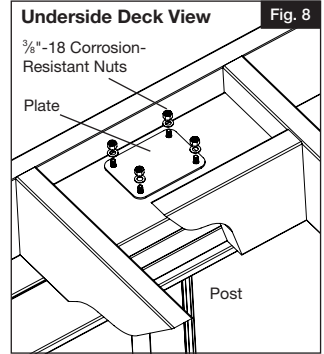
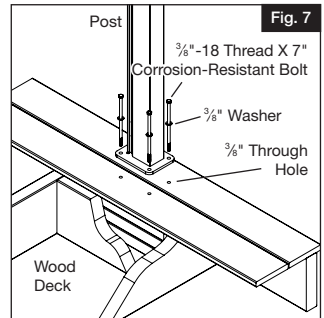
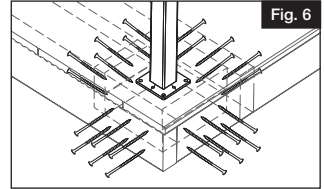
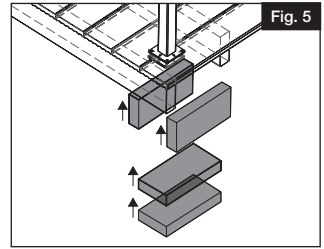
# 4b.

## Through bolt application:

- Install blocking at post locations determined in Step 2b.
- Beneath all post locations install at least two (2) 2x8 blocks (Fig. 5) using at least three (3) #10x3½" deck screws (sold separately) penetrating through the joists at least 1½" into the blocks (Fig. 6).
- Use the post assembly to mark the holes for the surface mounting plate (Fig. 7). Mark and pre-drill ⅜" holes through wood deck (Fig. 7).
- Secure post to the deck using ⅜" galvanized bolts, washers, and nuts (Minimum 6" long) through decking, blocking, and required ⅜" mounting sandwich plate to underside of blocking (Fig. 8).

### TIP:

Shims are included with your post kit. Use these to plum your posts before finishing your installation to be sure all posts are level.



# 5.

Measure to install posts. If not cutting down rails, inside edge of posts plate should measure 64" (Fig. 9). Install posts accordingly.

### NOTE:

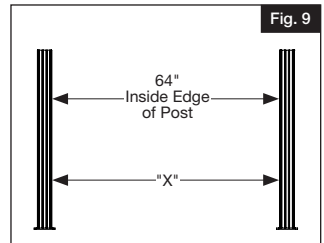
If cutting section down, see below for calculation for rails and infill boards lengths:

"X" = Inside Edge of Post

Rail Length = "X" + 2.75"

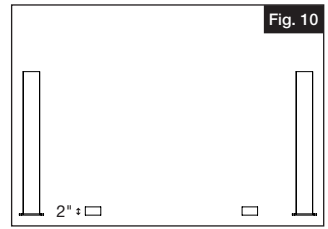
Infill Board Length = "X" + 2.00"

See Figure 9 for reference.



# 6.

Once posts are set, place 2" spacer blocks to support bottom rail (Fig. 10).

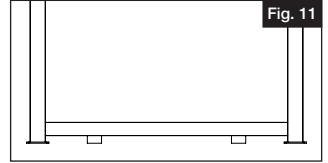


# 7.

Place bottom rail inside the posts, resting it on the 2" spacer blocks (Fig. 11).

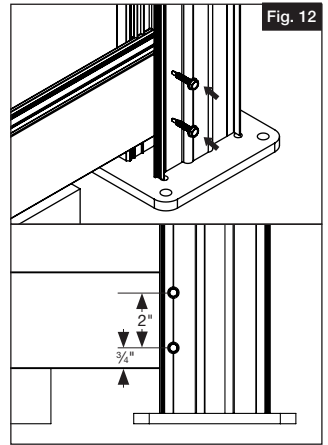
**TIP:**

The rail may need to be inserted at an angle in one post to start before resting it fully on the blocks and in both posts.



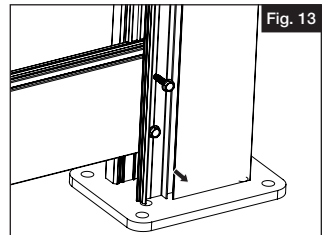
# 8.

Pre-drill rail using a 1/8" drill bit. Attach bottom rail using two 3/4" Hex Head screws with 5/16" Hex Head Driver. Bottom screw should be 3/4" from the bottom of the bottom rail. Screws should be 2" apart from each other. (Fig. 12).



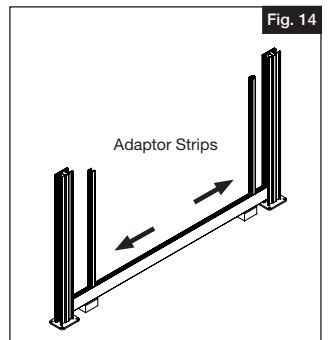
# 9.

Back out the top screw so that the channel is clear until infill boards are installed (Fig. 13). Repeat Steps 7 & 8 on other post.



# 10.

Snap post adaptor strips into post channel (Fig. 14).



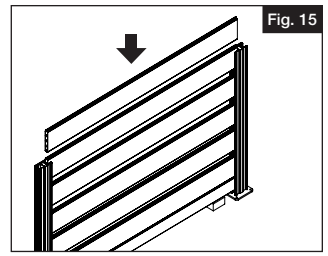
**11.** Install horizontal infill boards as shown. Boards should fit inside adaptor strip (Fig. 15).

**NOTE:**

Lightly use rubber mallet to fully nest vinyl boards on top of each other.

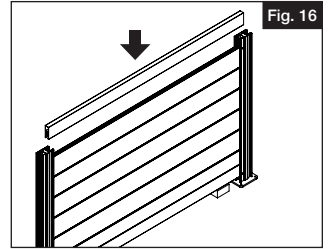
For 42" rail installations use 6 boards.

For 36" rail installations use 5 boards.

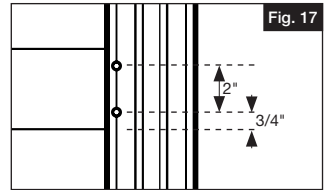


**12.** Once horizontal infill boards are installed, lift the top rail  $\frac{3}{8}$ " to ensure that the top rail is at 42" or 36" depending on installation and code requirements. Infill board will still sit inside the top rail channel and provide desired privacy and required security (Fig. 16).

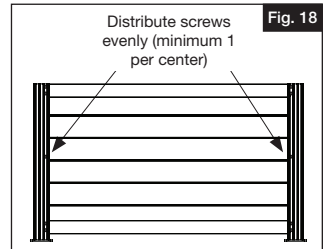
Install top rail using two  $\frac{3}{4}$ " Hex Head screws. Screws should be 2" apart from each other with bottom screw attached about  $\frac{3}{4}$ " above the bottom of the rail (Fig. 17).



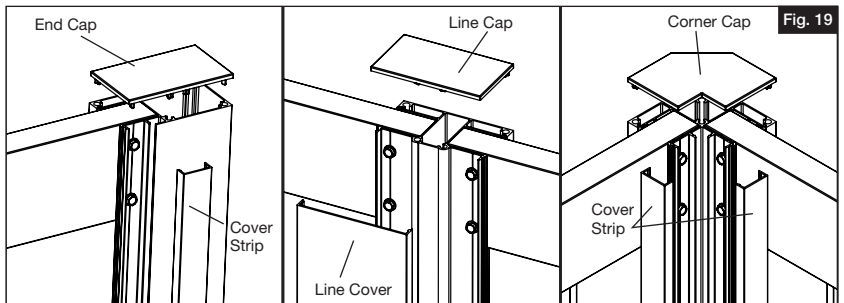
**13.** Remove the 2" spacer blocks from under the bottom rail.



**14.** Each post comes with sixteen (16) screws, but not all screws are used in each assembly. For additional security, use remaining screws to fasten infill boards to posts. Screws should be distributed evenly between top and bottom rail and used on each end of the boards. Locate screws midway between top rail and bottom rail for best results. These screws will go into the channel aligned with screws used to lock rails into place (Fig. 18).

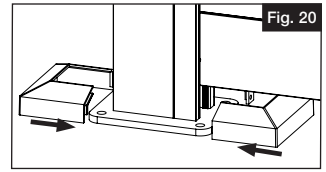


**15.** Snap/slide post cover (from post kit) into place by holding cover approximately 6" from top of post. Hook one side of the cover and push down to snap the other side. Slide the cover down the post to hide the screws (Fig. 19). Install post cap to top of post. Use a soft rubber mallet if necessary to obtain a firm fit. (Fig. 19)



# 16.

Assemble post base trim over plate. Take one side of trim ring and push plastic plugs through hole underneath. Take second half of the trim ring and push together (Fig. 20). Slide over plate for a finished look.



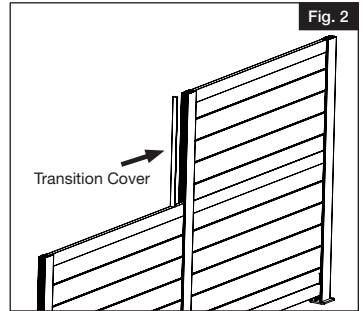
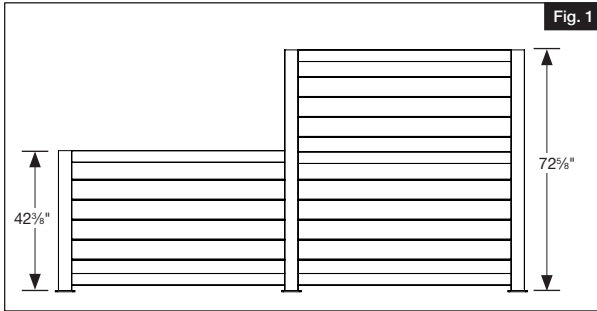
## Transitioning from Full Privacy to Half Privacy Panel

# 1.

If transitioning to a half-privacy panel from the full privacy panel (Fig 1), use the 36" transition cover provided in post kit to conceal top of Line or Corner post.

The transition cover is installed by snapping or sliding from the top of the post and sliding down into place (Fig. 2).

Transition cover will need to be cut back 6" if half-privacy panel is installed at 42". Cover works as is for 36" high rail.





## KIT DE RAMPE INTIMITÉ

### Instructions d'installation

English .....	1
Français .....	13
Español.....	25



Lire toutes les instructions avant d'installer le produit.  
Consulter les consignes de sécurité du fabricant avant d'utiliser des outils.

Pour enregistrer le produit, visiter : [barretteoutdoorliving.com](http://barretteoutdoorliving.com)

## ▲ AVERTISSEMENT :

- Une mauvaise installation du produit peut causer des blessures. Toujours porter des lunettes de sécurité lors de la coupe, du perçage et de l'assemblage du produit.
- Une installation incorrecte est susceptible de causer des dommages au produit ou des blessures aux personnes

## AVIS :

- NE PAS tenter d'assembler le kit s'il y a des pièces endommagées ou manquantes.
- Ne pas retourner le produit au magasin. Pour obtenir de l'aide ou des pièces de remplacement, composer le 1-800-336-2383.

## AVANT DE COMMENCER :

- L'installateur a la responsabilité de respecter, ou même de dépasser, les exigences du code du bâtiment et les exigences de sécurité, ainsi que d'obtenir tous les permis de construction nécessaires.
- L'installateur de terrasses et de rampes doit déterminer et mettre en œuvre les techniques d'installation qui conviennent le mieux à chaque type de projet.
- Des produits ou de l'assemblage supplémentaires pourraient être nécessaires pour satisfaire aux exigences du code du bâtiment en ce qui a trait aux charges dues au vent. On peut trouver l'avis d'acceptation en visitant : [www.miamidade.gov/building/pc-search.app.asp](http://www.miamidade.gov/building/pc-search.app.asp)

## OUTILS/ MATÉRIAUX NÉCESSAIRES :

Niveau
Ruban à mesurer
Lunettes de sécurité
Perceuse
Mèche 1/8 po (3,2 mm)
Tournevis à douille 3/16 po (14,3 mm)
Maillet en caoutchouc
Cordeau
Cales d'espacement 2 po (50 mm)
Cales en bois 2 po x 8 po (50 mm x 203 mm) comme calage de structure de terrasse

## ATTACHES NÉCESSAIRES : SELON LA MÉTHODE D'INSTALLATION UTILISÉE (VENDUES SÉPARÉMENT)

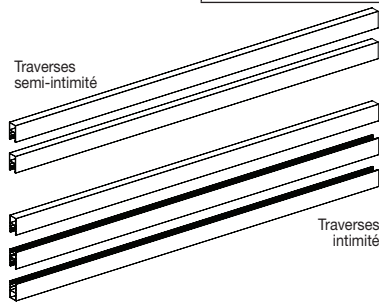
Boulons galvanisés 3/8 po (9,5 mm) d'au moins 6 po de longueur avec écrous et rondelles (pour bois)
Ancrages de maçonnerie 3/8 po (9,5 mm) (pour béton)
Vis pour terrasse no 10 x 3 1/2 po (88,9 mm) (pour calage de poteau)

## Composantes de kit de rampe semi- intimité :

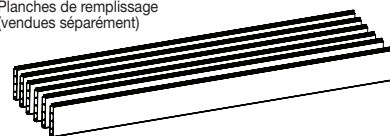
Description
Traverse supérieure
Traverse inférieure

## Composantes de kit de rampe intimité :

Description
Traverse supérieure
Traverse médiane
Traverse inférieure



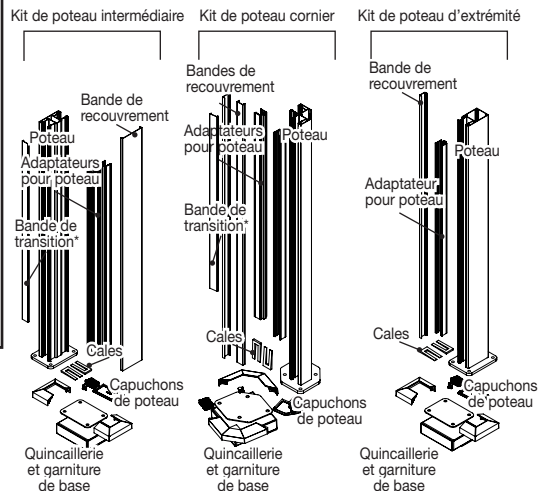
Planches de remplissage  
(vendues séparément)



## Vendu séparément :

Kit de poteau intermédiaire 42 po (106,7 cm) ou 72 po (182,9 cm)*
Kit de poteau cornier 42 po (106,7 cm) ou 72 po (182,9 cm)*
Kit de poteau d'extrémité 42 po (106,7 cm) ou 72 po (182,9 cm)
Planches de remplissage

\*Des bandes de transition sont fournies avec les kits de poteau de 72 po (182,9 cm).



Pour obtenir et examiner une copie de la garantie, visitez [barretteoutdoorliving.com](http://barretteoutdoorliving.com). Vous pouvez également nous appeler au 1-800-336 2383 ou nous envoyer un courriel à [Cs.outdoorliving@ebarrette.com](mailto:Cs.outdoorliving@ebarrette.com)

## IMPORTANT :

La rampe intimité a été conçue en vue d'être conforme aux exigences de l'IBC. On doit suivre les consignes énoncées dans ce guide d'installation. Communiquer avec le service à la clientèle en cas de questions ou de préoccupations ou pour demander des renseignements supplémentaires.

Dans les régions où les charges dues au vent sont une préoccupation et une exigence du code du bâtiment, les rampes pourraient nécessiter des portées plus courtes en fonction de la hauteur et du potentiel de charges plus élevées. Dans ces régions, consulter le tableau de portées maximales à droite.

## Installation d'une rampe intimité

# 1.

Un kit de rampe intimité permet de créer une section de rampe de 72 po (182,9 cm) de hauteur. L'espacement entre les rives intérieures des poteaux est de 64 po (162,6 cm). La longueur des planches de remplissage est de 66 po (167,6 cm), tandis que celle des traverses est de 66 $\frac{1}{2}$  po (169,9 cm) (Fig. 1).

### NOTE :

Onze planches de remplissage sont nécessaires pour un panneau de rampe de 72 po (182,9 cm) de hauteur.

# 2.

- Les poteaux sont conçus et fabriqués de manière à ce qu'on puisse utiliser des attaches de  $\frac{3}{8}$  po (9,5 mm) (vendues séparément) pour le boulonnage à la surface. On doit s'assurer d'utiliser des attaches qui conviennent au type d'installation.
- Déterminer l'emplacement des poteaux en les disposant à intervalles réguliers le long de la terrasse. S'assurer que la structure de montage est adéquate à ces emplacements. Noter que la distance maximale entre les rives intérieures des poteaux est de 64 po (162,6 cm). Voir Fig. 9 à l'étape 5.

### NOTE :

Pour une installation standard, on doit utiliser au moins 4 po (102 mm) de calage en bois massif. Cependant, on pourrait avoir à utiliser du calage supplémentaire dépendamment du type d'installation. Toujours consulter les exigences du code du bâtiment en vigueur.

# 3.

Tracer une ligne au cordeau sur la surface de montage afin de faire en sorte que tous les poteaux soient bien alignés (Fig. 2). S'assurer que les poteaux sont de niveau et d'aplomb (Fig. 3).

Fixer les poteaux en place.

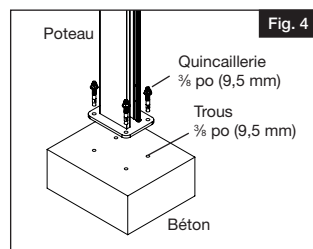
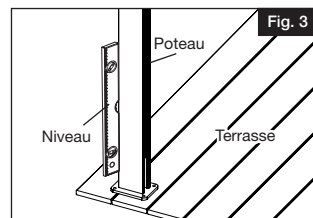
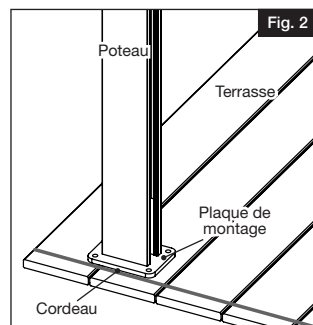
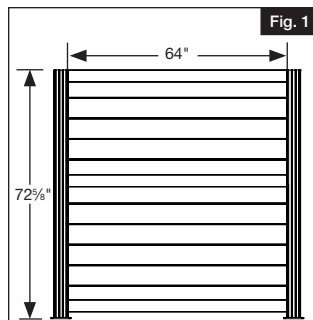
# 4a.

### Application sur béton :

Utiliser l'assemblage de poteau pour marquer l'emplacement des trous à percer pour les ancrages à béton conformément aux exigences du code du bâtiment en vigueur. Les trous dans la plaque de montage en surface permettent l'utilisation d'ancrages dont la taille maximale est de  $\frac{3}{8}$  po (9,5 mm) (Fig. 4).

## Espacement des poteaux en fonction du vent

Hauteur du panneau (po/cm)	Espacement des poteaux (rives intérieures) (po/cm)
≤ 48 (121,9)	64 (162,6)
≤ 48 à 54 (121,9 à 137,2)	50 (127)
≤ 54 à 60 (137,2 à 152,4)	38 (96,5)
≥ 66 à 72 (167,6 à 182,9) max.	30 (76,2)



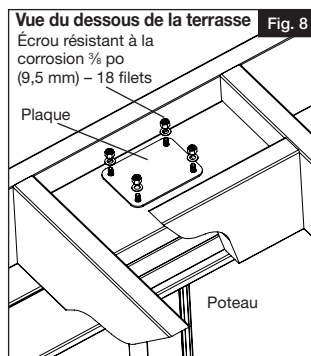
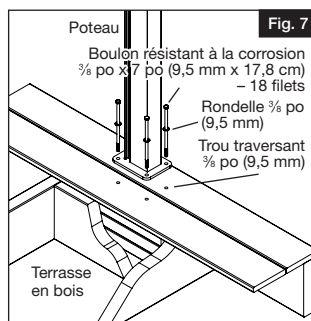
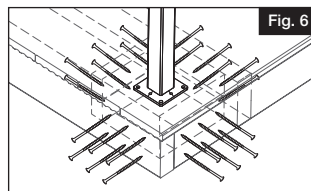
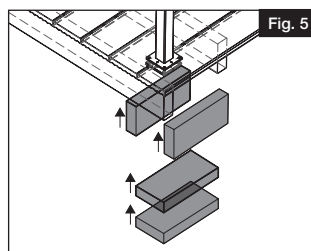
# 4b.

Application avec boulons traversants :

- Installer les cales aux emplacements de poteau comme déterminé à l'étape 2 b.
- Sous tous les emplacements de poteau, installer au moins deux cales de 2 po x 8 po (50 mm x 203 mm) (Fig. 5) en enfonçant au moins trois vis pour terrasse no 10 x 3½ po (88,9 mm) (vendues séparément) à travers les solives jusqu'à au moins 1½ po (38,1 mm) dans les cales (Fig. 6).
- Utiliser l'assemblage de poteau pour marquer l'emplacement des trous pour la plaque de montage en surface (Fig. 7). Percer des avant-trous de ⅜ po (9,5 mm) à travers la surface de la terrasse en bois (Fig. 7).
- Fixer les poteaux à la terrasse à l'aide de boulons galvanisés de ⅜ po (9,5 mm) d'au moins 6 po (152 mm) de longueur. Les boulons doivent passer à travers la surface de la terrasse, les cales et la plaque sandwich installée sur le dessous des cales (Fig. 8).

### CONSEIL :

Les cales sont comprises dans le kit de poteau. Utiliser ces cales pour s'assurer que les poteaux sont de niveau et d'aplomb avant de terminer l'installation.



# 5.

Prendre les mesures en vue de l'installation des poteaux. Si l'on n'a pas à couper les traverses, la distance entre les rives intérieures des poteaux devrait être de 64 po (162,6 cm) (Fig. 9). Installer les poteaux.

### NOTE :

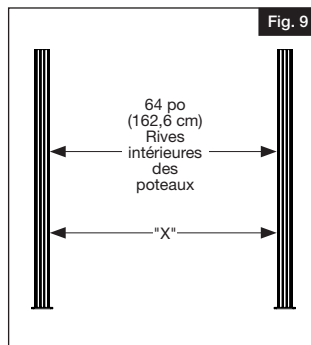
Si l'on décide de couper la section, calculer la longueur des traverses et des planches de remplissage de la façon suivante :

« X » = distance entre les rives intérieures des poteaux

Longueur de traverse =  
« X » + 2,75 po (70 mm)

Longueur de planche de remplissage =  
« X » + 2 po (50 mm)

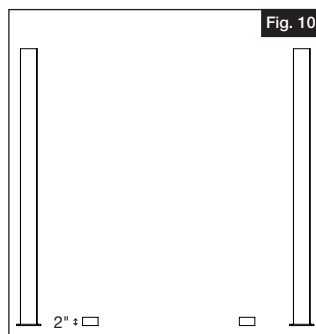
Utiliser Fig. 9 comme référence.





# 6.

Une fois que les poteaux sont en place, utiliser des cales d'espacement de 2 po (50 mm) pour supporter la traverse inférieure (Fig. 10).

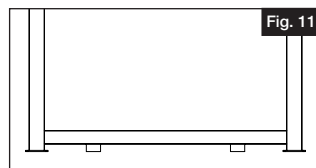


# 7.

Placer la traverse inférieure à l'intérieur des poteaux en l'appuyant sur les cales de 2 po (50 mm) (Fig. 11).

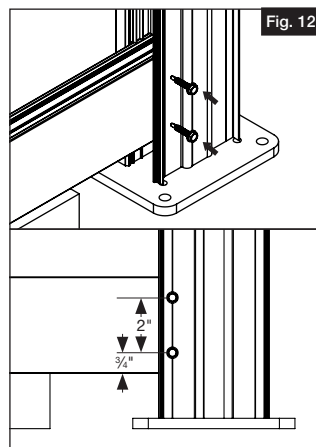
**CONSEIL :**

Il pourrait nécessaire d'insérer la traverse en angle entre les poteaux avant d'être en mesure de l'appuyer complètement sur les cales des deux poteaux.



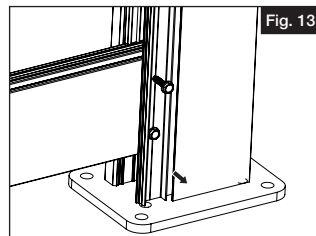
# 8.

Percer des avant-trous dans la traverse au moyen d'une mèche de 1/8 po (3,2 mm). Fixer la traverse inférieure à l'aide de deux vis de 3/4 po (19 mm) à tête hexagonale avec tournevis à tête hexagonale 5/16. La vis du bas devrait être à 3/4 po (19 mm) du bas de la traverse inférieure, et l'espacement entre les vis devrait être de 2 po (50 mm) (Fig. 12).



# 9.

Desserrer la vis du haut afin de dégager la rainure et de faciliter l'installation des planches de remplissage (Fig. 13). Répéter les étapes 7 et 8 pour l'autre poteau.

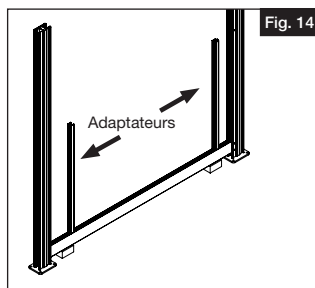


**10.** Enclencher les adaptateurs en plastique dans la rainure des poteaux (Fig. 14).

**NOTE :**

Lorsque la traverse médiane est installée à 36 po (91,5 cm) de hauteur, on utilise des adaptateurs du bas de 27 po (68,6 cm).

Lorsque la traverse médiane est installée à 42 po (106,7 cm) de hauteur, on utilise des adaptateurs du bas de 31 $\frac{5}{16}$  po (79,5 cm).



**11.** Installation des planches horizontales (voir l'étape 5 pour savoir comment calculer la coupe des planches de remplissage au besoin) :

Insérer six planches\* horizontalement au-dessus de la traverse inférieure (Fig. 15).

\* Selon la hauteur désirée de la traverse médiane (36 po/91,4 cm ou 42 po/106,7 cm), on pourrait avoir besoin d'un nombre de planches différent au-dessus et au-dessous de la traverse.

Hauteur de 36 po (91,4 cm) :

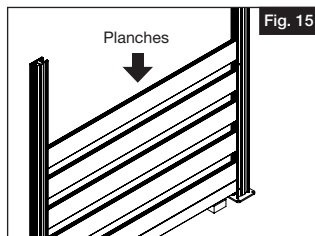
- 5 planches en dessous de la traverse médiane
- 6 planches au-dessus de la traverse médiane

Hauteur de 42 po (106,7 cm) :

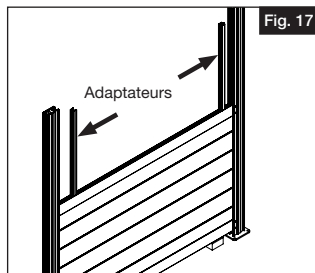
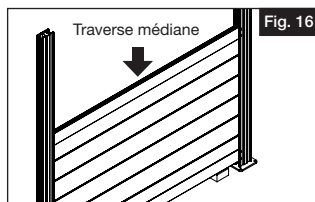
- 6 planches en dessous de la traverse médiane
- 5 planches au-dessus de la traverse médiane

**NOTE :**

Taper les planches légèrement avec un maillet en caoutchouc pour bien les emboîter les unes sur les autres. On pourrait avoir à insérer les planches en angle au début pour faciliter l'installation.



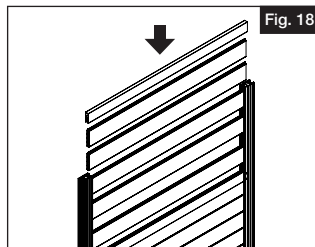
**12.** Installer la traverse médiane (Fig. 16). Enclencher le deuxième jeu d'adaptateurs dans la rainure des poteaux au-dessus de la traverse médiane (Fig. 17). Insérer les six prochaines planches\* au-dessus de la traverse médiane.



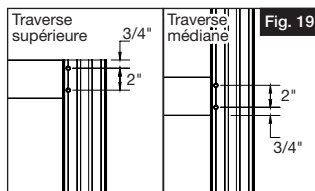
**13.** Installer la traverse supérieure au-dessus des planches. Percer des avant-trous au moyen d'une mèche de  $\frac{1}{8}$  po (3,2 mm), et visser en place les trois traverses (Fig. 18). La vis du bas devrait être à environ  $\frac{3}{4}$  po (19 mm) du bas de la traverse, et l'espacement entre les vis devrait être de 2 po (50 mm).

**NOTE :**

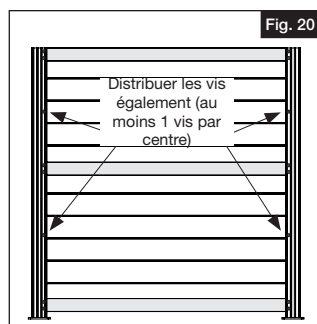
Visser les trois traverses en place à travers les deux poteaux aux deux extrémités des traverses en enfonçant deux vis à travers la traverse médiane et deux vis dans la traverse supérieure à chaque extrémité (Fig. 19).



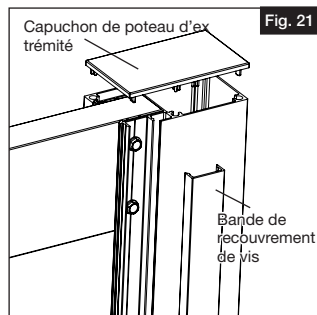
**14.** Enlever les cales de 2 po (50 mm) d'en dessous de la traverse inférieure.



- 15.** Bien que 16 vis sont fournies avec chaque poteau, elles ne sont pas toutes utilisées pour chaque assemblage. Pour plus de sécurité, utiliser les vis restantes pour fixer les planches de remplissage aux poteaux. On doit utiliser un nombre égal de vis pour les sections du haut et du bas. Fixer les vis à chaque extrémité des planches. Pour obtenir de meilleurs résultats, placer des vis à mi-chemin entre la traverse médiane et la traverse supérieure et à mi-chemin entre la traverse médiane et la traverse inférieure. Les vis iront dans la rainure et seront alignées sur les vis utilisées pour bloquer les traverses en place (Fig. 20).

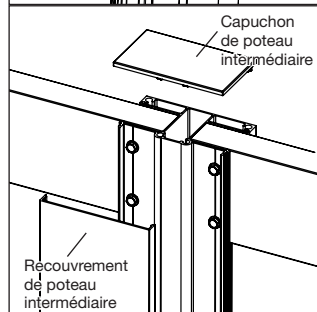


- 16.** Enclencher la bande de recouvrement de vis en aluminium (comprise dans le kit de poteau).  
Tenir la bande à environ 6 po (15,2 cm) du haut du poteau. Puis, accrocher un côté de la bande, et appuyer sur l'autre pour l'enclencher.

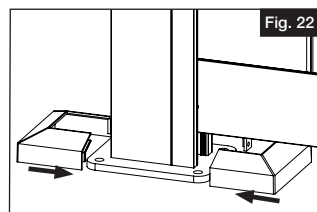
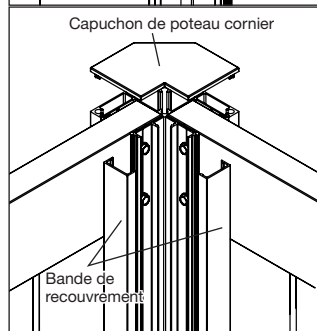


Faire glisser la bande de recouvrement vers le bas du poteau pour cacher les vis (Fig. 21).

Installer un capuchon sur le haut du poteau. Au besoin, utiliser un maillet en caoutchouc pour bien enclencher la bande de recouvrement (Fig. 21).



- 17.** Installer la garniture de base de poteau sur la plaque. Prendre une moitié de la garniture, et enfoncer les chevilles en plastique dans les trous en dessous. Enclencher la deuxième moitié de la garniture dans la première (Fig. 22). Glisser la garniture sur la plaque pour lui donner un aspect fini.

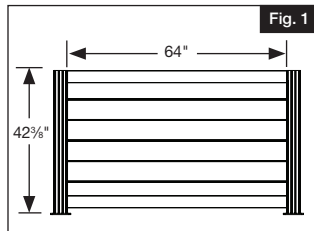


# 1.

Un kit de rampe semi-intimité permet de créer une section de rampe de 42 po (106,7 cm) de hauteur. L'espacement entre les rives intérieures des poteaux est de 64 po (162,6 cm). La longueur des planches de remplissage est de 66 po (167,6 cm), tandis que celle des traverses est de 66 $\frac{3}{4}$  po (169,9 cm) (Fig. 1).

**NOTE :**

- Six planches de remplissage sont nécessaires pour un panneau de rampe de 42 po (106,7 cm) de hauteur et cinq planches sont nécessaires pour un panneau de 36 po (91,4 cm) de hauteur.
- Les poteaux de 42 $\frac{3}{8}$  po (107,6 cm) de hauteur sont conçus de façon à laisser un peu d'espace au-dessus de la traverse supérieure pour permettre d'y joindre d'autres systèmes de rampe au besoin. On peut couper  $\frac{1}{4}$  po (6 mm) du haut du poteau pour que le capuchon du poteau soit au même niveau que la traverse lorsqu'on fait la transition entre différents types de panneaux intimité.
- On peut également couper ces poteaux pour une rampe de 36 po (91,4 cm) de hauteur. Couper les poteaux de 6 po (15,2 cm) pour une hauteur de rampe finie de 36 po (91,4 cm) et une hauteur de poteau de 36 $\frac{3}{8}$  po (92,4 cm) lorsqu'on joint le panneau à un autre système de rampe. On peut couper les poteaux de 6 $\frac{1}{4}$  po (15,9 cm) pour que le haut du poteau soit au même niveau que la traverse supérieure lorsqu'on fait la transition à d'autres types de panneaux intimité.

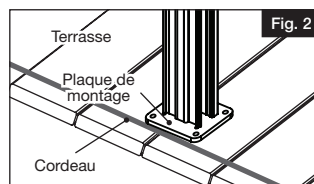


# 2.

- a. Les poteaux sont conçus et fabriqués de manière à ce qu'on puisse utiliser des attaches de  $\frac{3}{8}$  po (9,5 mm) (vendues séparément) pour le boulonnage à la surface. On doit s'assurer d'utiliser des attaches qui conviennent au type d'installation.
- b. Déterminer l'emplacement des poteaux en les disposant à intervalles réguliers le long de la terrasse. S'assurer que la structure de montage est adéquate à ces emplacements. Noter que la distance maximale entre les rives intérieures des poteaux est de 64 po (162,6 cm). Voir Fig. 9 à l'étape 5.

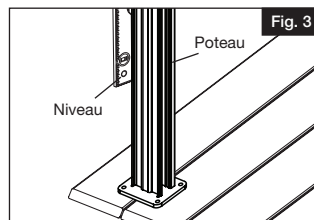
**NOTE :**

Pour une installation standard, on doit utiliser au moins 4 po (102 mm) de calage en bois massif. Cependant, on pourrait avoir à utiliser du calage supplémentaire dépendamment du type d'installation. Toujours consulter les exigences du code du bâtiment en vigueur.



# 3.

Tracer une ligne au cordeau sur la surface de montage afin de faire en sorte que tous les poteaux soient bien alignés (Fig. 2). S'assurer que les poteaux sont de niveau et d'aplomb (Fig. 3).

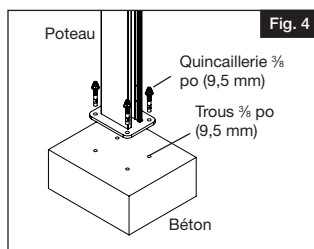


Fixer les poteaux en place.

# 4a.

**Application sur béton :**

Utiliser l'assemblage de poteau pour marquer l'emplacement des trous à percer pour les ancrages à béton conformément aux exigences du code du bâtiment en vigueur. Les trous dans la plaque de montage en surface permettent l'utilisation d'ancrages dont la taille maximale est de  $\frac{3}{8}$  po (9,5 mm) (Fig. 4).



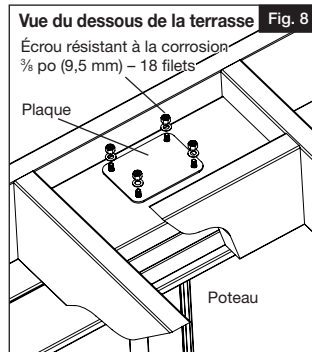
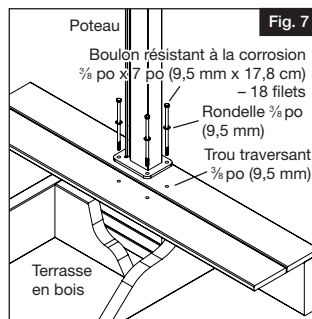
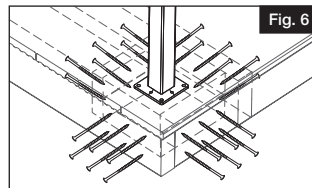
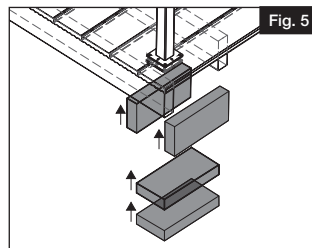
# 4b.

## Application avec boulons traversants :

- Installer les cales aux emplacements de poteau comme déterminé à l'étape 2 b
- Sous tous les emplacements de poteau, installer au moins deux cales de 2 po x 8 po (50 mm x 203 mm) (Fig. 5) en enfonçant au moins trois vis pour terrasse no 10 x 3½ po (88,9 mm) (vendues séparément) à travers les solives jusqu'à au moins 1½ po (38,1 mm) dans les cales (Fig. 6).
- Utiliser l'assemblage de poteau pour marquer l'emplacement des trous pour la plaque de montage en surface (Fig. 7). Percer des avant-trous de ⅜ po (9,5 mm) à travers la surface de la terrasse en bois (Fig. 7).
- Fixer les poteaux à la terrasse à l'aide de boulons galvanisés de ⅜ po (9,5 mm) d'au moins 6 po (152 mm) de longueur. Les boulons doivent passer à travers la surface de la terrasse, les cales et la plaque sandwich installée sur le dessous des cales (Fig. 8).

### CONSEIL :

Les cales sont comprises dans le kit de poteau. Utiliser ces cales pour s'assurer que les poteaux sont de niveau et d'aplomb avant de terminer l'installation.



# 5.

Prendre les mesures en vue de l'installation des poteaux. Si l'on n'a pas à couper les traverses, la distance entre les rives intérieures des poteaux devrait être de 64 po (162,6 cm) (Fig. 9). Installer les poteaux.

### NOTE :

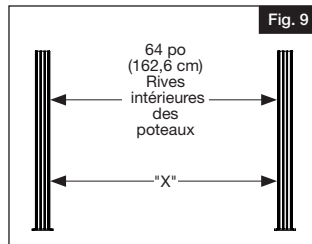
Si l'on décide de couper la section, calculer la longueur des traverses et des planches de remplissage de la façon suivante :

« X » = distance entre les rives intérieures des poteaux

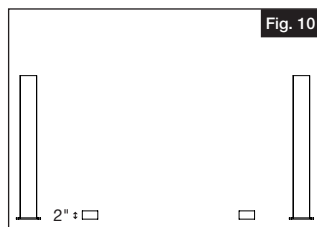
Longueur de traverse =  
« X » + 2,75 po (70 mm)

Longueur de planche de remplissage =  
« X » + 2 po (50 mm)

Utiliser Fig. 9 comme référence.



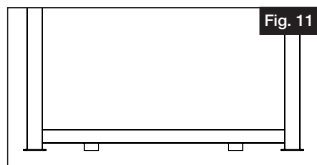
**6.** Une fois que les poteaux sont en place, utiliser des cales d'espacement de 2 po (50 mm) pour supporter la traverse inférieure (Fig. 10).



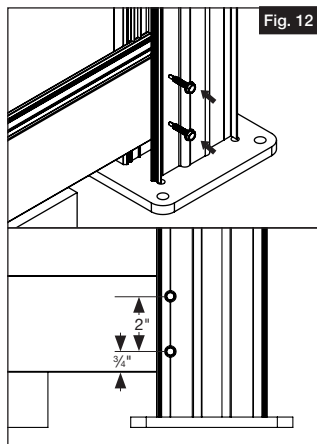
**7.** Placer la traverse inférieure à l'intérieur des poteaux en l'appuyant sur les cales de 2 po (50 mm) (Fig. 11).

**CONSEIL :**

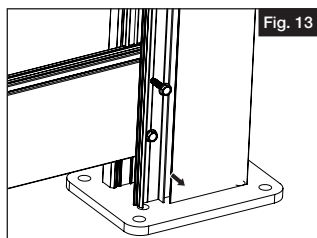
Il pourrait nécessaire d'insérer la traverse en angle entre les poteaux avant d'être en mesure de l'appuyer complètement sur les cales des deux poteaux.



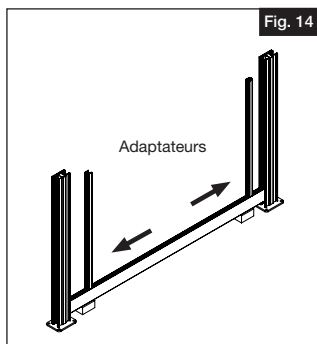
**8.** Percer des avant-trous dans la traverse au moyen d'une mèche de  $\frac{1}{8}$  po (3,2 mm). Fixer la traverse inférieure à l'aide de deux vis de  $\frac{3}{4}$  po (19 mm) à tête hexagonale avec tournevis à tête hexagonale 5/16. La vis du bas devrait être à  $\frac{3}{4}$  po (19 mm) du bas de la traverse inférieure, et l'espacement entre les vis devrait être de 2 po (50 mm) (Fig. 12).



**9.** Desserrer la vis du haut afin de dégager la rainure et de faciliter l'installation des planches de remplissage (Fig. 13). Répéter les étapes 7 et 8 pour l'autre poteau.



**10.** Enclencher les adaptateurs en plastique dans la rainure des poteaux (Fig. 14).



# 11.

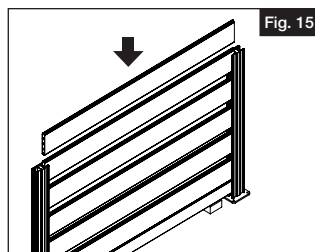
Installer les planches de remplissage horizontales comme illustré en les insérant dans les adaptateurs (Fig. 15).

## NOTE :

Taper les planches légèrement avec un maillet en caoutchouc pour bien les emboîter les unes sur les autres.

Pour les rampes de 42 po (106,7 cm) de hauteur, utiliser 6 planches.

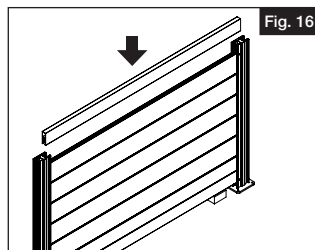
Pour les rampes de 36 po (91,4 cm) de hauteur, utiliser 5 planches.



# 12.

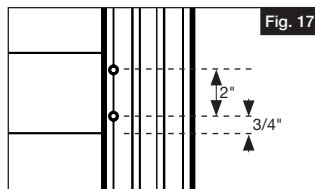
Une fois que les planches de remplissage horizontales sont installées, soulever la traverse supérieure de  $\frac{3}{8}$  po (9,5 mm) pour s'assurer qu'elle soit à 42 po (106,7 cm) ou 36 po (91,4 cm) de hauteur selon le type d'installation et les exigences du code du bâtiment en vigueur. Les planches de remplissage insérées dans la rainure de la traverse supérieure offrent l'intimité désirée et la sécurité requise (Fig. 16).

Fixer la traverse inférieure à l'aide de deux vis de  $\frac{3}{4}$  po (19 mm) à tête hexagonale. La vis du bas devrait être à environ  $\frac{3}{4}$  po (19 mm) du bas de la traverse, et l'espacement entre les vis devrait être de 2 po (50 mm) (Fig. 17).



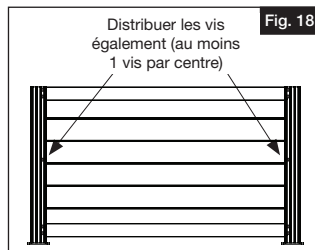
# 13.

Enlever les cales de 2 po (50 mm) d'en dessous de la traverse inférieure.



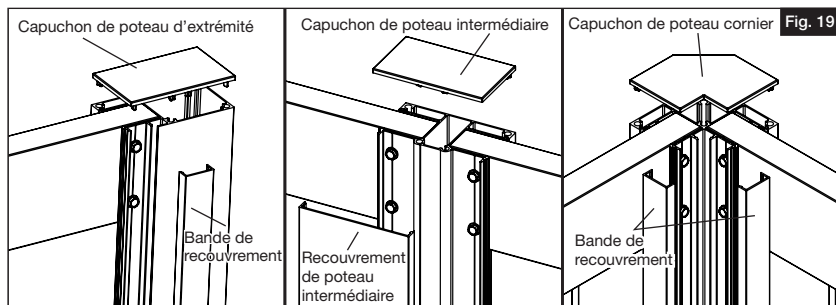
# 14.

Bien que 16 vis sont fournies avec chaque poteau, elles ne sont pas toutes utilisées pour chaque assemblage. Pour plus de sécurité, utiliser les vis restantes pour fixer les planches de remplissage aux poteaux. On doit utiliser un nombre égal de vis pour les sections du haut et du bas. Fixer les vis à chaque extrémité des planches. Pour obtenir de meilleurs résultats, placer des vis à mi-chemin entre la traverse supérieure et la traverse inférieure. Les vis iront dans la rainure et seront alignées sur les vis utilisées pour bloquer les traverses en place (Fig. 18).

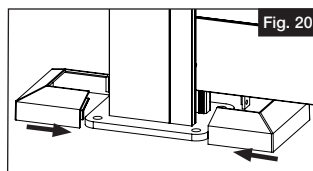


# 15.

Enclencher la bande de recouvrement de vis en aluminium (comprise dans le kit de poteau). Tenir la bande à environ 6 po (15,2 cm) du haut du poteau. Puis, accrocher un côté de la bande, et appuyer sur l'autre pour l'enclencher. Faire glisser la bande de recouvrement vers le bas du poteau pour cacher les vis (Fig. 19). Installer un capuchon sur le haut du poteau. Au besoin, utiliser un maillet en caoutchouc pour bien enclencher la bande de recouvrement (Fig. 19).



- 16.** Installer la garniture de base de poteau sur la plaque. Prendre une moitié de la garniture, et enfoncer les chevilles en plastique dans les trous en dessous. Enclencher la deuxième moitié de la garniture dans la première (Fig. 20). Glisser la garniture sur la plaque pour lui donner un aspect fini.

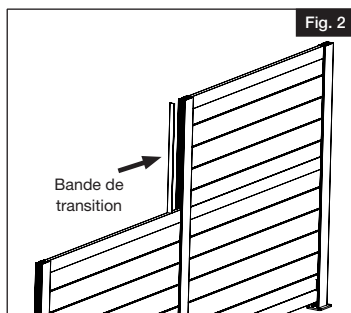
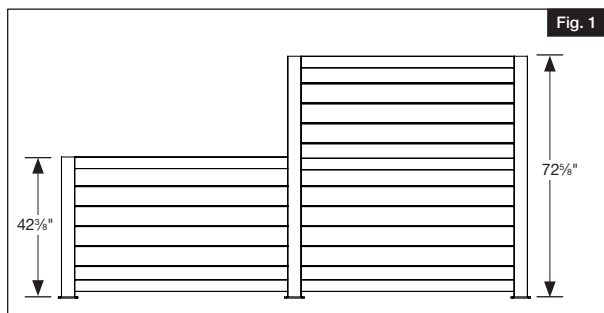


## Transition d'un panneau intimité à un panneau semi-intimité

- 1.** Lors de la transition d'un panneau intimité à un panneau semi-intimité (Fig. 1), utiliser la bande de transition de 36 po (91,4 cm) comprise dans le kit de poteau pour cacher le poteau intermédiaire ou du poteau cornier.

Pour installer la bande de transition, enclencher la bande au haut du poteau et la faire glisser vers le bas pour la fixer en place (Fig. 2).

Si le panneau semi-intimité doit avoir 42 po (106,7 cm) de hauteur, couper la bande de transition de 6 po (15,2 cm). Il n'y a rien à faire de plus lorsque le panneau a 36 po (91,4 cm) de hauteur.







## KIT DE BARANDAL DE PRIVACIDAD

### Instrucciones de Instalación

English .....	1
Français .....	13
Español.....	25



Lea todas las instrucciones antes de la instalación del producto.

Consulte las instrucciones de seguridad del fabricante cuando se vaya a utilizar alguna herramienta.

Para registrar su producto, visite: **[barretteoutdoorliving.com](http://barretteoutdoorliving.com)**

## ⚠ ADVERTENCIA:

- La instalación incorrecta de este producto puede resultar en lesiones corporales. Utilizar siempre gafas de seguridad al momento de cortar, taladrar y ensamblar el producto.
- La instalación incorrecta puede causar daños al producto o a personas.

## AVISO:

- NO intentar ensamblar el kit si faltan piezas o las piezas están dañadas.
- NO devolver el producto a la tienda. Para obtener ayuda o piezas de repuesto, llamar al: 1-800-336-2383

## ANTES DE COMENZAR:

- Es responsabilidad del instalador cumplir y/o exceder los códigos y requisitos de seguridad, y obtener los permisos de los códigos de construcción requeridos.
- El instalador de la plataforma y de los barandales debe determinar e implementar las técnicas de instalación adecuadas en cada instalación.
- Puede ser necesario adquirir productos y realizar trabajos de ensamblado adicionales para cumplir con el código de viento. El aviso de aceptación (NOA) se puede encontrar en [www.miamidade.gov/building/pc-search\\_app.asp](http://www.miamidade.gov/building/pc-search_app.asp)

## HERRAMIENTAS Y MATERIALES NECESARIOS:

	Nivel
	Cinta métrica
	Gafas de seguridad
	Taladro
	Broca de 1/8"
	Llave para tuercas de 3/16"
	Martillo de goma
	Línea de gis
	Bloques espaciadores de 2" (7,62 cm)
	Bloques de madera 2"x8" (para la construcción de la plataforma estructural)

## SUJETADORES NECESARIOS: DEPENDE DEL MÉTODO DE INSTALACIÓN (SE VENDEN POR SEPARADO)

	Pernos galvanizados de 3/8" con tuercas y arandelas (para la plataforma/madera) (longitud mínima de 6")
	Anclajes para mampostería de 3/8" (Para concreto)
	Tornillos para plataforma #10 de 3 1/2" (Para bloque de poste)

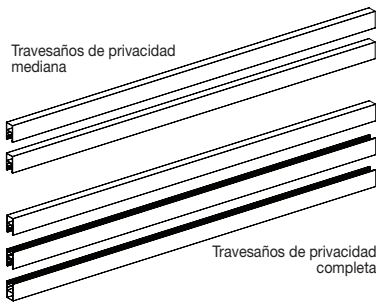
## Componentes del kit de privacidad mediana:

Descripción
Travesaño superior
Travesaño inferior

## Componentes del kit de privacidad completa:

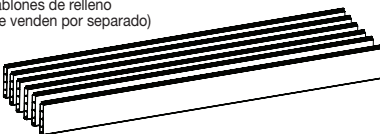
Descripción
Travesaño superior
Travesaño intermedio
Travesaño inferior

Travesaños de privacidad mediana



Travesaños de privacidad completa

Tablones de relleno (se venden por separado)

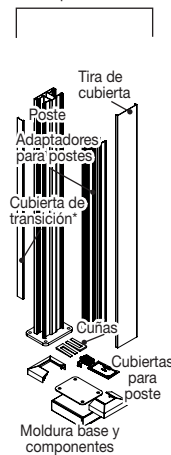


## Se venden por separado

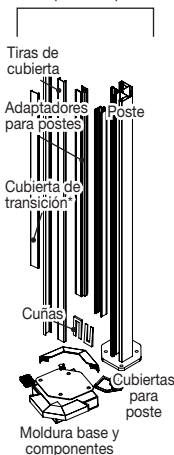
	Kit de para poste de línea de 42" o 72"
	Kit de poste esquinero de 42" o 72"
	Kit de poste final de 42" o 72"
	Tablones de relleno

\*Las cubiertas de transición están incluidas en los kits de postes de 72"

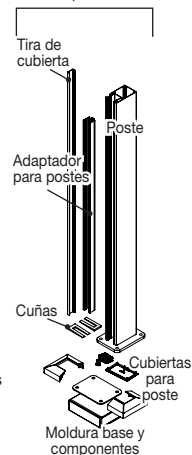
Kit de poste de línea



Kit de poste esquinero



Kit de poste final



Para obtener y revisar una copia de la garantía, sírvase visitar [barretteoutdoorliving.com](http://barretteoutdoorliving.com). También puede contactarnos en el 1-800-336 2383 o enviar un correo electrónico a [Cs.outdoorliving@ebarrette.com](mailto:Cs.outdoorliving@ebarrette.com)

## NOTA IMPORTANTE:

El barandal de privacidad ha sido diseñado para satisfacer los requisitos del código IBC. Sírvase seguir las pautas indicadas y contacte al servicio de atención al cliente en caso de necesitar información adicional o tener preguntas o inquietudes.

En zonas donde la carga de viento es una preocupación y exigencia del código, los sistemas de barandales pueden requerir tramos más cortos, dependiendo de la altura y el posible aumento de la carga. En esas zonas, sírvase consultar los tramos máximos del barandal indicados en la tabla a la derecha.

Tabla de viento - Distancia entre postes	
Altura del panel (en pulgadas)	Distancia entre postes (bordes interiores) (en pulgadas)
≤ 48	64
≤ 48 - 54	50
≤ 54 - 60	38
≥ 66 - 72 Máx.	30

## Instalación de un barandal de privacidad completa

# 1.

Un kit de barandal de privacidad completa crea un tramo de barandal de 72" (1,83 m) de alto. Los postes tienen una distancia de 64" (1,63 m) entre el borde interior del poste y el borde interior del siguiente poste y utilizan tabloncillos de relleno (66" o 1,68 m de largo) y travesaños (66 $\frac{7}{8}$ " o 1,70 m) durante el montaje.

### NOTA:

Se necesitan once (11) tabloncillos de relleno para un panel de 72" (1,83 m) de altura.

# 2.

- Los postes están diseñados y fabricados para aceptar sujetadores de  $\frac{3}{8}$ " (se venden por separado) para atornillar en la superficie. Asegúrese de utilizar sujetadores adecuados para su instalación.
- Determinar la ubicación de los postes, distribuyéndolos de manera uniforme a lo largo de la plataforma. Verificar que la estructura de montaje sea suficiente en estos lugares. Tenga en cuenta que la distancia máxima entre los postes puede ser de 64" (1,63 m) entre el borde interior de un poste y el borde interior del siguiente poste. Consultar el Paso 5 (Fig. 9) para referencia.

### NOTA:

Se requieren bloques macizos de 4" en una instalación estándar. Sin embargo, una estructura adicional puede ser necesaria dependiendo de la aplicación. Consultar siempre los códigos de construcción locales para conocer los requisitos de instalación.

# 3.

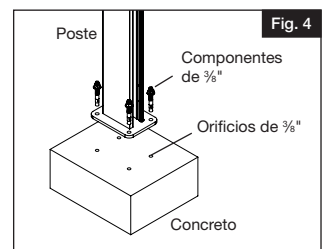
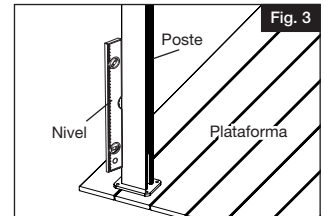
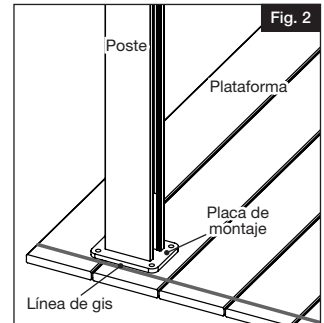
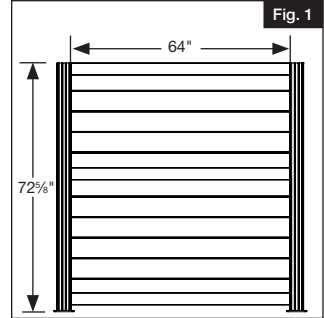
Trazar una línea de gis sobre la superficie de montaje para comprobar que todos los postes estén alineados correctamente (Fig. 2). Aplomar y nivelar los postes (Fig. 3).

Fijar los postes en su lugar.

# 4a.

### Aplicación en concreto:

Utilizar el poste ensamblado para marcar los orificios para los anclajes de concreto, según lo requerido por los códigos de construcción pertinentes. Los orificios en la placa de montaje en superficie dan cabida a un tamaño máximo para el anclaje de  $\frac{3}{8}$ " (Fig. 4).



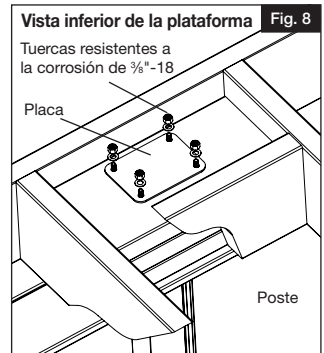
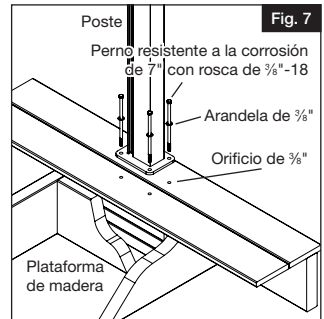
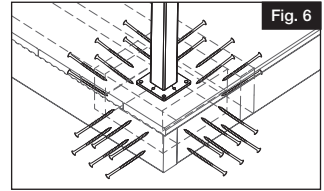
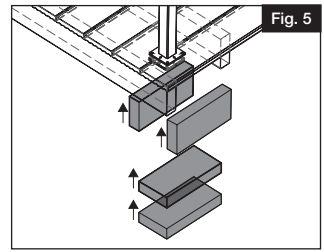
# 4b.

Aplicación con pernos pasantes:

- Instalar los bloques en las ubicaciones de los postes según lo determinado en el Paso 2b.
- Debajo de las ubicaciones de los postes, instalar al menos dos (2) bloques de 2x8 (Fig. 5), usando al menos tres (3) tornillos para madera #10 de 3½" (se venden por separado) que penetren a través de las viguetas entrando al menos 1½" (3,80 cm) en los bloques (Fig. 6).
- Utilizar el conjunto de poste para marcar los orificios para la chapa de montaje en superficie (Fig. 7). Marcar y taladrar los orificios de ⅜" a través de la plataforma de madera (Fig. 7).
- Fijar el poste en la plataforma usando pernos galvanizados de ⅜" con arandelas y tuercas (longitud mínima de 6") a través de la plataforma, el bloque y la chapa sándwich de montaje de ⅛" debajo del bloque (Fig. 8).

### SUGERENCIA:

Las cuñas se incluyen con su kit de postes. Utilícelos para aplomar sus postes antes de terminar la instalación a fin de garantizar que todos los postes estén nivelados.



# 5.

Medir para instalar los postes. Si no se recortan los travesaños, el borde interior del poste debe medir 64" (1,63 m) (Fig. 9). Instalar los postes en consecuencia.

### NOTA:

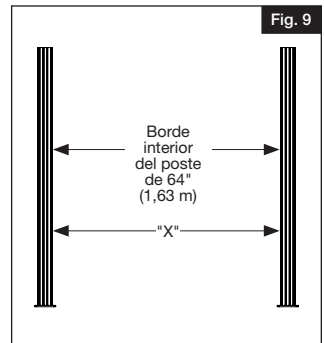
Si se recorta el tramo, consultar a continuación para calcular las longitudes de los travesaños y tablonces de relleno:

"X" = borde interior del poste

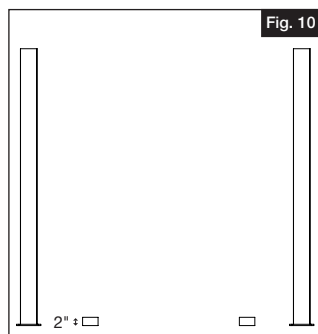
Longitud del travesaño = "X" + 2.75" (7 cm)

Longitud del tablón de relleno = "X" + 2.00" (5 cm)

Consultar la Figura 8 para referencia.



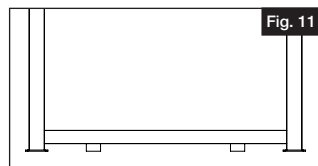
- 6.** Una vez instalados los postes, colocar bloques espaciadores de 2" (5,08 cm) para apoyar el travesaño inferior (Fig. 10).



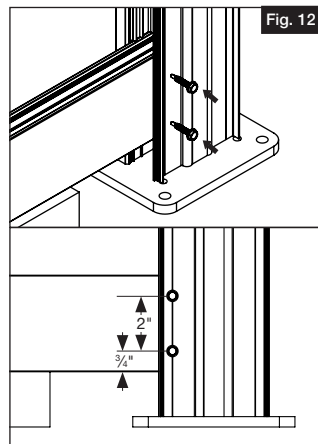
- 7.** Colocar el travesaño inferior dentro del primer poste, apoyándolo sobre los bloques espaciadores de 2" (5,08 cm) (Fig. 11).

**SUGERENCIA:**

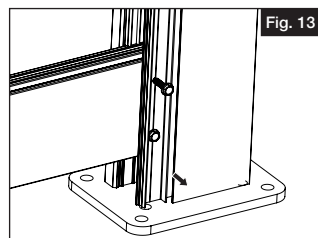
Es posible que deba insertar el travesaño en ángulo en un poste para comenzar antes de reposarlo plenamente sobre los bloques y en ambos postes.



- 8.** Taladrar el travesaño mediante el uso de una broca de 1/8". Fijar el travesaño inferior utilizando dos tornillos de cabeza hexagonal de 3/4" con destornillador de cabeza hexagonal de 5/16". El tornillo inferior debe medir 3/4" desde la parte inferior del travesaño inferior. Los tornillos deben estar distanciados a 2" (5 cm) entre ellos. (Fig. 12).



- 9.** Retirar el tornillo superior de modo que el canal esté libre hasta que se instalen los tabloncillos de relleno (Fig. 13). Repetir los pasos 7 y 8 en el otro poste.

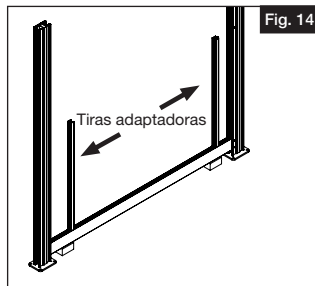


**10.** Encajar las tiras adaptadoras de plástico en el canal del poste (Fig. 14).

**NOTA:**

Si se instala un travesaño intermedio a 36" (91,44 cm): los adaptadores para postes inferiores son los más cortos a 27" (68,58 cm) de largo.

Si se instala un travesaño intermedio a 42" (106,68 cm): los adaptadores para postes inferiores son los más largos a 31<sup>15</sup>/<sub>16</sub>" (81,12 cm) de largo.



**11.** A continuación, instalar los tabloncillos horizontales (véase el paso 5 para calcular el corte de los tabloncillos de relleno, si es necesario):

Instalar (6) tabloncillos\* horizontalmente en el travesaño inferior (Fig. 15).

\* Dependiendo de la altura deseada del travesaño intermedio (36" o 42"), necesitará un número diferente de tabloncillos en la parte superior e inferior.

Para una altura de 36" (91,44 cm):

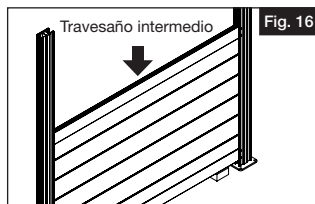
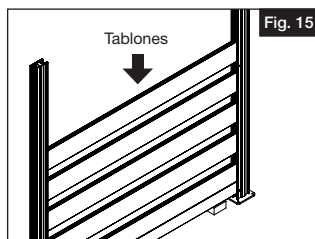
- 5 tabloncillos debajo del travesaño intermedio
- 6 tabloncillos por encima del travesaño intermedio

Para una altura de 42" (106,68 cm):

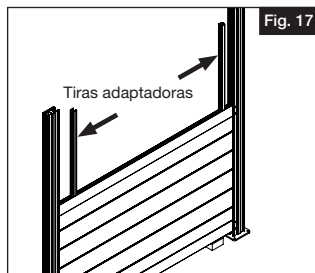
- 6 tabloncillos debajo del travesaño intermedio
- 5 tabloncillos por encima del travesaño intermedio

**NOTA:**

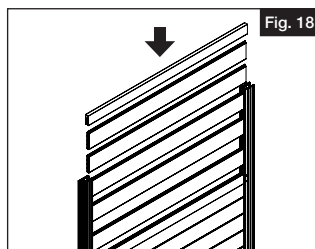
Emplear un martillo de goma dando ligeros golpes según sea necesario para que los tabloncillos aniden perfectamente los unos sobre los otros. Es posible que deba insertar los tabloncillos en ángulo para comenzar para facilitar la instalación.



**12.** Instalar el travesaño intermedio (Fig. 16). Encajar el segundo conjunto de tiras adaptadoras para poste en los canales del poste encima del travesaño intermedio (Fig. 17). Insertar los siguientes (6) tabloncillos\* sobre el travesaño intermedio.

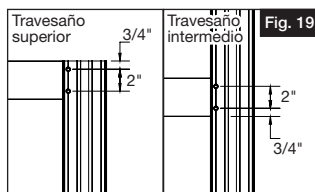


**13.** Instalar el travesaño superior sobre los tabloncillos, taladrar con una broca de 3/8" de broca y atornillar los tres travesaños en su lugar (Fig. 18). Los tornillos deben estar distanciados a 2" entre ellos con el tornillo inferior fijado a unos 3/4" (1,95 cm) por encima de la parte inferior del travesaño.



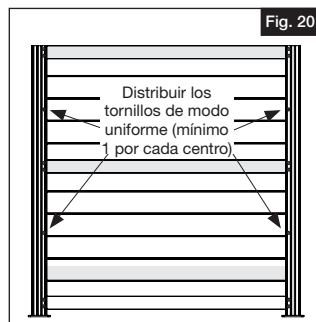
**NOTA:**

Atornillar los tres travesaños en su lugar en ambos extremos del travesaño y a través de ambos postes. Esto se realiza mediante la fijación de dos tornillos a través del travesaño intermedio y dos tornillos en el travesaño superior en cada extremo (Fig. 19).



**14.** Retirar los bloques espaciadores de 2" de debajo del travesaño inferior.

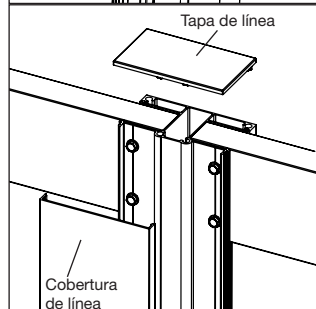
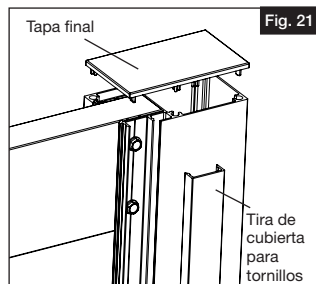
- 15.** Cada poste cuenta con dieciséis (16) tornillos, pero no necesariamente se utilizan todos los tornillos durante la instalación. Para mayor seguridad, utilizar los tornillos restantes para sujetar los tablonetes de relleno a los postes. Los tornillos deben estar distribuidas uniformemente entre la parte superior y la parte inferior de la rampa y utilizados en cada extremo de las juntas. Localizar los tornillos a medio camino entre los tres travesaños (a mitad de camino entre el travesaño superior y el intermedio, a mitad de camino entre el travesaño intermedio y el inferior) para obtener los mejores resultados. Estos tornillos entrarán en el canal, alineados con los tornillos utilizados para fijar los travesaños en su lugar (Fig. 20).



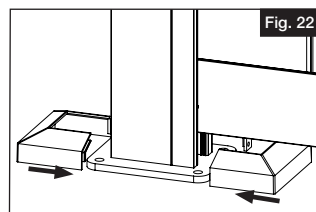
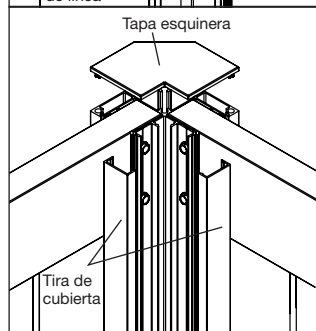
- 16.** Encajar/deslizar la tira de aluminio para cubrir tornillos (del kit de poste) en su lugar mientras se sostiene la cubierta aproximadamente a 6" (15,25 cm) de la parte superior del poste. Enganchar uno de los lados de la cubierta y empujar hacia abajo para encajar el otro lado.

Deslizar la cubierta hacia abajo por el poste para ocultar los tornillos (Fig. 21).

Instalar la tapa para poste para finalizar el poste. Utilizar un martillo de goma suave, si es necesario, para obtener un ajuste firme (Fig. 21).



- 17.** Montar la moldura base del poste sobre la chapa. Tomar un lado del anillo embellecedor e insertar los tapones de plástico a través de los agujeros por debajo. Tomar la segunda mitad del anillo embellecedor y encajarla con el otro lado (Fig. 22). Deslizar el anillo sobre la placa para un aspecto acabado.

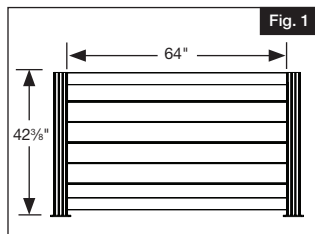


# 1.

Un kit de barandal de privacidad mediana crea un tramo de barandal de 42" (183 cm) de altura. Los postes tienen una distancia de 64" (1,63 m) entre el borde interior del poste y el borde interior del siguiente poste y utilizan tablonces de relleno (66" o 1,68 m de largo) y travesaños (66 $\frac{1}{8}$ " o 1,70 m) durante el montaje (Fig. 1).

**NOTA:**

- Se requieren seis (6) tablonces de relleno para un panel de 42" (183 cm) de altura, y cinco (5) para uno de 36" (91,44 cm) de altura.
- Los postes tienen una altura de 42 $\frac{3}{8}$ " (107,62 cm) y están diseñados para dejar un poco de espacio en la parte superior del travesaño superior para que otros sistemas de barandales se puedan fijar en él si es necesario. Usted puede cortar 1/4" (63 mm) del poste de modo que la tapa superior quede a ras con el barandal, si lo desea, durante la transición entre paneles de privacidad.
- Estos postes también se pueden cortar por obtener una altura de 36" (91,44 cm) de los postes para un acabado de 36" (91,44 cm) de altura y una altura de poste de 36 $\frac{3}{8}$ " (92,39 cm) cuando se conecta a otro sistema de barandal. Usted puede cortar 6 $\frac{1}{4}$ " (15,88 cm) de los postes para que los postes queden a ras con la parte superior del travesaño superior, si lo desea, durante la transición entre los paneles de privacidad.

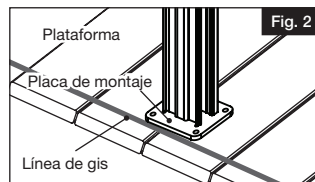


# 2.

- Los postes están diseñados y fabricados para aceptar sujetadores de 3/8" (se venden por separado) para atornillar en la superficie. Asegúrese de utilizar sujetadores adecuados para su instalación.
- Determinar la ubicación de los postes, distribuyéndolos de manera uniforme a lo largo de la plataforma. Verificar que la estructura de montaje sea suficiente en estos lugares. Tenga en cuenta que la distancia máxima entre los postes puede ser de 64" (1,63 m) entre el borde interior de un poste y el borde interior del siguiente poste. Consultar el Paso 5 (Fig. 9) para referencia.

**NOTA:**

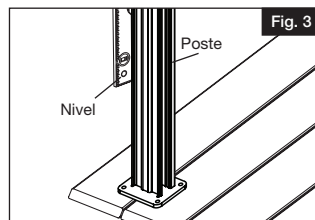
Se requieren bloques macizos de 4" en una instalación estándar. Sin embargo, una estructura adicional puede ser necesaria dependiendo de la aplicación. Consultar siempre los códigos de construcción locales para conocer los requisitos de instalación.



# 3.

Trazar una línea de gis sobre la superficie de montaje para comprobar que todos los postes estén alineados correctamente (Fig. 2). Aplomar y nivelar los postes (Fig. 3).

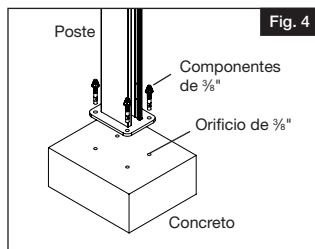
Fijar los postes en su lugar.



# 4a.

**Aplicación en concreto:**

Utilizar el poste ensamblado para marcar los orificios para los anclajes de concreto, según lo requerido por los códigos de construcción pertinentes. Los orificios en la placa de montaje en superficie dan cabida a un tamaño máximo para el anclaje de 3/8" (Fig. 4).





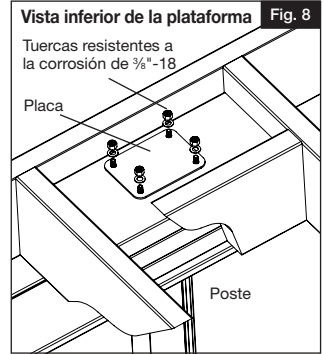
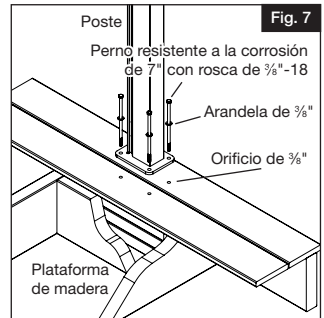
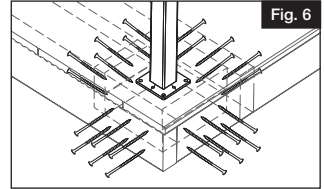
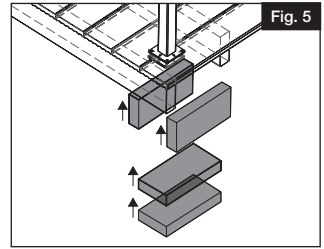
# 4b.

## Aplicación con pernos pasantes:

- Instalar los bloques en las ubicaciones de los postes según lo determinado en el Paso 2b.
- Debajo de las ubicaciones de los postes, instalar al menos dos (2) bloques de 2x8 (Fig. 5), usando al menos tres (3) tornillos para madera #10 de 3½" (se venden por separado) que penetren a través de las viguetas entrando al menos 1½" (3,80 cm) en los bloques (Fig. 6).
- Utilizar el conjunto de poste para marcar los orificios para la chapa de montaje en superficie (Fig. 7). Marcar y taladrar los orificios de ⅜" a través de la plataforma de madera (Fig. 7).
- Fijar el poste en la plataforma usando pernos galvanizados de ⅜" con arandelas y tuercas (longitud mínima de 6") a través de la plataforma, el bloque y la chapa sándwich de montaje de ⅜" debajo del bloque (Fig. 8).

### SUGERENCIA:

Shims are included with your post kit. Use these to plum your posts before finishing your installation to be sure all posts are level.



# 5.

Medir para instalar los postes. Si no se recortan los travesaños, el borde interior de la placa del poste debe medir 64" (1,63 m) (Fig. 9). Instalar los postes en consecuencia

### NOTA:

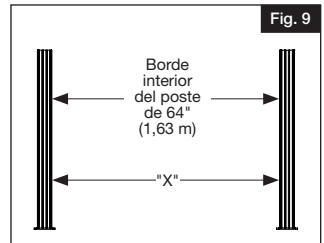
Si se recorta el tramo, consultar a continuación para calcular las longitudes de los travesaños y tabloncillos de relleno:

"X" = borde interior del poste

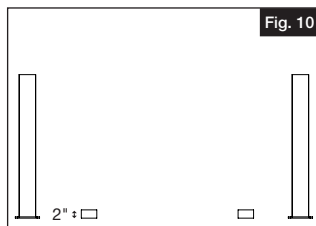
Longitud del travesaño = "X" + 2.75" (7 cm)

Longitud del tabloncillo de relleno = "X" + 2.00" (5 cm)

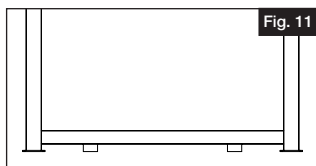
Consultar la Figura 9 para referencia.



**6.** Una vez instalados los postes, colocar bloques espaciadores de 2" (5,08 cm) para apoyar el travesaño inferior (Fig. 10).



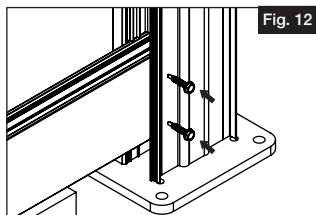
**7.** Colocar el travesaño inferior dentro del primer poste, apoyándolo sobre los bloques espaciadores de 2" (5,08 cm) (Fig. 11).



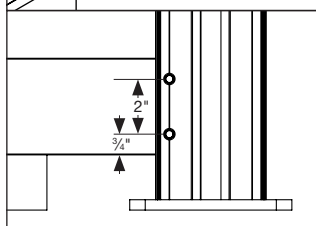
**SUGERENCIA:**

Es posible que deba insertar el travesaño en ángulo en un poste para comenzar antes de reposarlo plenamente sobre los bloques y en ambos postes.

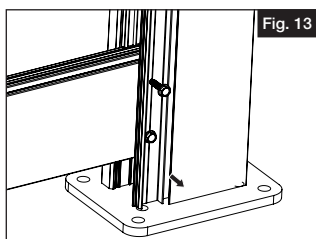
**8.** Taladrar el travesaño mediante el uso de una broca de 1/8". Fijar el travesaño inferior utilizando dos tornillos de cabeza hexagonal de 3/4" con destornillador de cabeza hexagonal de 5/16". El tornillo inferior debe medir 3/4" desde la parte inferior del travesaño inferior.



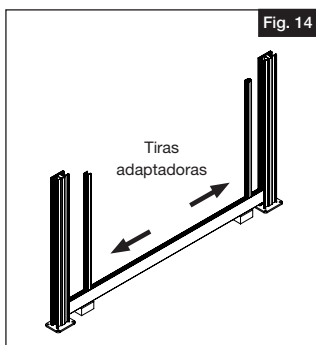
Los tornillos deben estar distanciados a 2" (5 cm) entre ellos (Fig. 12).



**9.** Retirar el tornillo superior de modo que el canal esté libre hasta que se instalen los tableros de relleno (Fig. 13). Repetir los pasos 7 y 8 en el otro poste.



**10.** Encajar las tiras adaptadoras en el canal del poste (Fig. 14).



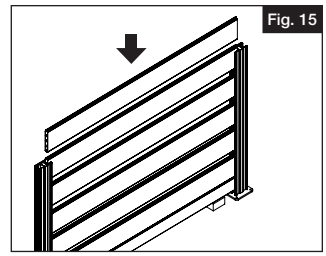
- 11.** Instalar los tabloncillos de relleno horizontales, como se muestra. Los tabloncillos deben encajar dentro de las tiras adaptadoras (Fig. 15).

**NOTA:**

Emplear un martillo de goma dando ligeros golpes para que los tabloncillos de vinilo aniden perfectamente los unos sobre los otros.

En las instalaciones de 42" (183 cm), utilizar 6 tabloncillos.

En las instalaciones de 36" (91,44 cm), utilizar 5 tabloncillos.

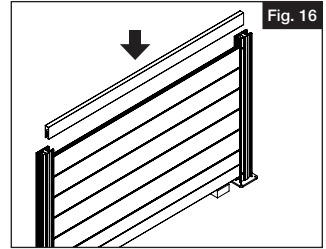


- 12.** Una vez instalados los tabloncillos de relleno horizontales, levantar el travesaño superior  $\frac{3}{8}$ " (95 mm) para asegurar que el travesaño superior quede a 42" (183 cm) o 36" (91,44 cm), dependiendo de la instalación y las exigencias del código.

Los tabloncillos de relleno se asentarán en el interior del canal del travesaño superior y ofrecerán la privacidad deseada y la seguridad requerida (Fig. 16).

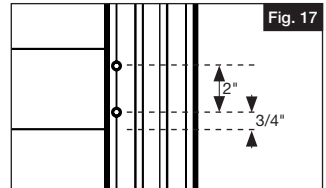
Instalar el travesaño superior utilizando dos tornillos de cabeza hexagonal de  $\frac{3}{4}$ ".

Los tornillos deben estar distanciados a 2" entre ellos con el tornillo inferior fijado a unos  $\frac{3}{4}$ " (1,95 cm) por encima de la parte inferior del travesaño (Fig. 17).

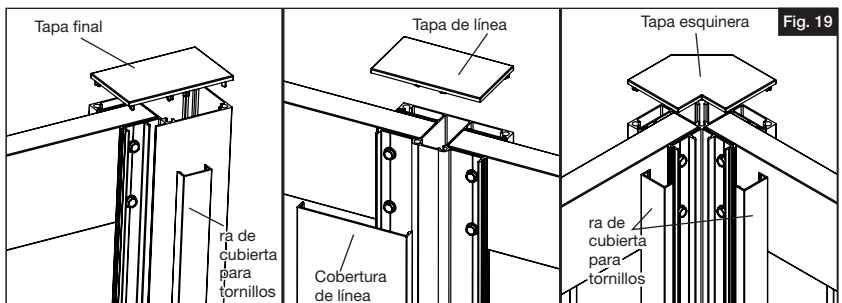
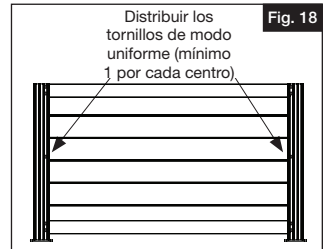


- 13.** Retirar los bloques espaciadores de 2" de debajo del travesaño inferior.

- 14.** Cada poste cuenta con dieciséis (16) tornillos, pero no necesariamente se utilizan todos los tornillos durante la instalación. Para mayor seguridad, utilizar los tornillos restantes para sujetar los tabloncillos de relleno a los postes. Los tornillos deben estar distribuidos uniformemente entre la parte superior y la parte inferior de la rampa y utilizados en cada extremo de las juntas. Localizar los tornillos a medio camino entre los dos travesaños (a mitad de camino entre el travesaño superior y el inferior) para obtener los mejores resultados. Estos tornillos entrarán en el canal, alineados con los tornillos utilizados para fijar los travesaños en su lugar (Fig. 18).



- 15.** Encajar la cubierta para poste (del kit de poste) en su lugar mientras se sostiene la cubierta aproximadamente a 6" (15,25 cm) de la parte superior del poste. Enganchar uno de los lados de la cubierta y empujar hacia abajo para encajar el otro lado. Deslizar la cubierta hacia abajo por el poste para ocultar los tornillos (Fig. 19). Instalar la tapa para poste para finalizar el poste.



# 16.

Montar la moldura base del poste sobre la chapa. Tomar un lado del anillo embellecedor e insertar los tapones a través de los agujeros de debajo. Tomar la segunda mitad del anillo embellecedor y encajarla con el otro lado (Fig. 20). Deslizar el anillo sobre la placa para un aspecto acabado.

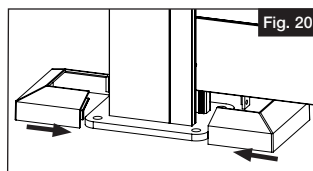


Fig. 20

## Transición entre un tramo de privacidad completa a un tramo de privacidad mediana

# 1.

Para pasar de un tramo de privacidad completa a un tramo de privacidad mediana (Fig. 1), utilizar la cubierta de transición de 36" suministrada en el kit de poste para ocultar la parte superior del poste de línea o esquinero.

La cubierta de transición se instala encajando o deslizando por la parte superior del poste y deslizando hacia abajo hasta que encaje en su sitio (Fig. 2).

Será necesario recortar 6" (15,24 cm) de la cubierta de transición si se instala un tramo de privacidad mediana a 42" (183 cm). La cubierta no tiene que ser modificada si la altura del barandal es de 36" (91,45 cm).

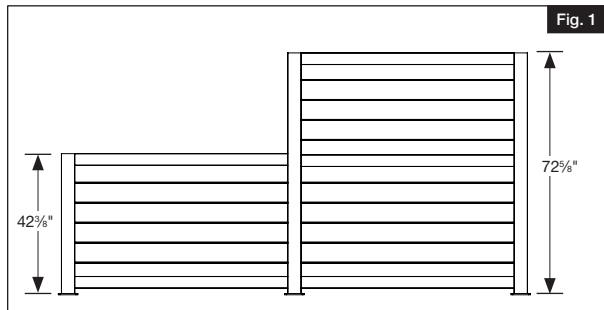


Fig. 1

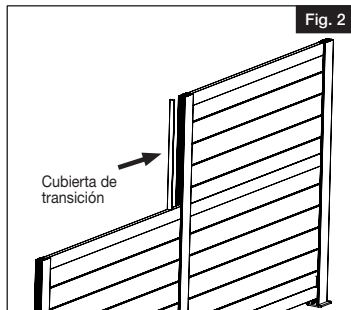


Fig. 2

**Barrette**  
OUTDOOR LIVING® 

Barrette Outdoor Living  
545 Tilton Rd, Egg Harbor City, NJ. 08215  
barretteoutdoorliving.com • (800) 336-2383