



# BELLA PREMIER SERIES RAILING & STAIR KIT

## Installation Instructions

English .....	1
Français .....	13
Español.....	25



Read all instructions prior to installing product.  
Refer to manufacturers safety instructions when operating any tools.

To register your product, please visit: [barretteoutdoorliving.com](http://barretteoutdoorliving.com)

**⚠ WARNING:**

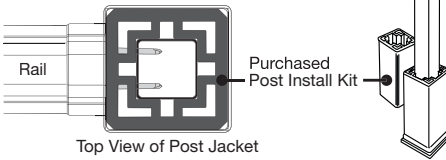
- Improper installation of this product can result in personal injury. Always wear safety goggles when cutting, drilling and assembling the product.
- Incorrect installation may cause harm to the product or individual.

**NOTICE:**

- DO NOT attempt to assemble the kit if parts are missing or damaged.
- DO NOT return the product to the store. For assistance or replacement parts call: 1-877-265-2220.

**BEFORE YOU BEGIN:**

Vinyl rail posts require an internal support system for weight-bearing purposes and therefore a post install kit or wood post is required inside a post jacket. Post install kit and wood post need to be purchased separately.



**TOOLS NEEDED:**

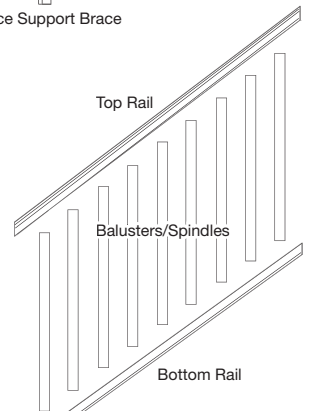
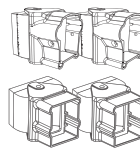
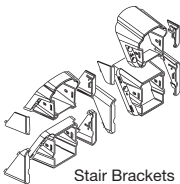
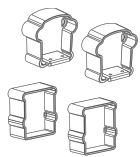
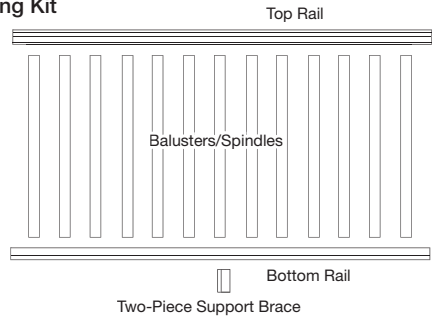
Tape Measure
Level
Hacksaw or Chopsaw
Rubber Mallet
Drill
#2 Square Drive Bit
1/8" Drill Bit
Pencil
Temporary Deck Board
Safety Glasses

**Railing & Stair Railing Components:**

Description
Top Rail
Bottom Rail
Balusters/Spindles
Two-Piece Support Brace(s)
Level Brackets
Stair Brackets
Left-Right Angle Brackets*
1 1/2" Square Drive Screws
2" Square Drive Screws
1" Square Drive Screws
Templates
Adhesive Foam Strips

\*Sold separately.

**Railing Kit**



**Stair Railing Kit**

Adhesive Foam Strips for Aluminum Balusters



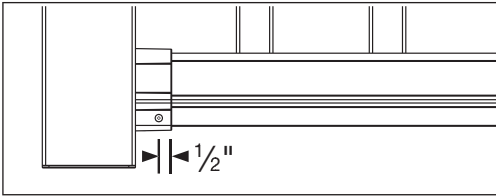
Bracket Template



To obtain and review a copy of the warranty please visit [barretteoutdoorliving.com](http://barretteoutdoorliving.com). You may also contact us at 1-877-265-2220 or email [Cs.outdoorliving@barretteoutdoorliving.com](mailto:Cs.outdoorliving@barretteoutdoorliving.com)

## FOR 10' RAILING ONLY:

Install enclosed screw through the bottom bracket as shown approximately  $\frac{1}{2}$ " from the front face of the bracket, centered vertically on the flat surface. Do this for each bottom bracket.



## LEVEL RAIL INSTALLATION:

# 1.

Closely follow Post Install Kit installation instructions or use a Post Jacket on an existing wood post.

### NOTE:

Railing system is designed for use with both 4"x4" and 5"x5" vinyl post jackets. If using with a 4"x4" post jacket, rails come out of the box designed to fit structural posts 72" on center. If using a 5"x5" post jacket, the structural posts remain 72" on center, but the rail will have to be cut down slightly to fit.

# 2.

### Bracket Dovetail Installation:

If installing rail system on a 4"x4" post jacket using a one-piece base trim, install the base trim over the post sleeve prior to installation. If installing rail system with 5"x5" post jacket using a two-piece base trim, installation template will be used to set railing height prior to installing the base trim.

Follow the instructions on template provided depending on installation type.

### 4"x4" Post jacket with Heritage trim:

- For 36" high rails, cut as needed and place dovetail install template against post sleeve directly on top of the base trim and secure in place with a rubber band (Fig. 1).
- For 42" high rails, the top bracket dovetail will install  $37\frac{7}{8}$ " from the top of the base trim and the bottom bracket will install  $\frac{3}{4}$ " from top of base trim (Fig. 2).

### 5"x5" Post jacket with two-piece trim

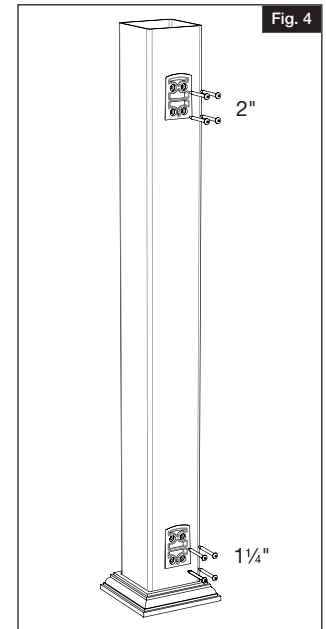
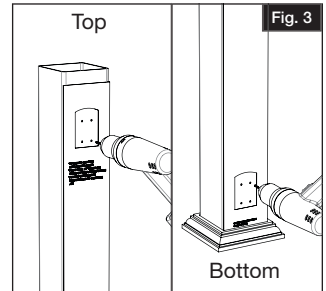
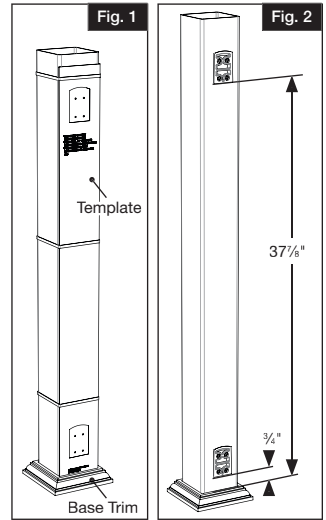
- For 36" high rails, place dovetail install template against post sleeve directly on top of the mounting surface and secure in place with a rubber band.
- For 42" high rails, the top bracket dovetail will install  $39\frac{1}{8}$ " from the top of the mounting surface and the bottom bracket will install 2" from the mounting surface.

# 3.

With a  $\frac{1}{8}$ " drill bit, pre-drill the holes for the top and bottom brackets (Fig. 3). Remove template (if used).

# 4.

Use 2" screws to attach top bracket dovetails. Screws must penetrate the steel insert (if using steel post install kit). Use  $\frac{1}{4}$ " screws to attach bottom bracket dovetails (Fig. 4).



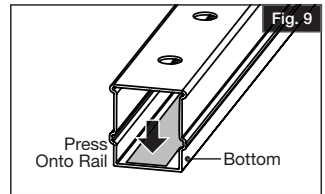
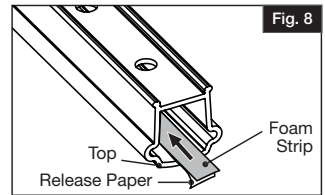
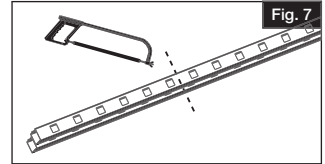
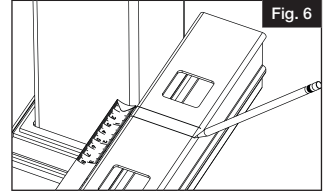
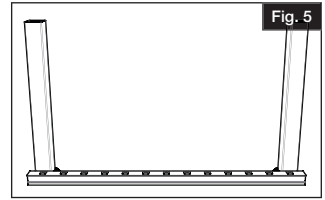
# 5.

## Cut Rails to Length:

Place bottom rail across post opening leaving equivalent spacing from the last baluster and post on each end (Fig. 5). Mark  $\frac{1}{2}$ " from end of post to allow room for bracket width and expansion (Fig. 6). Align top rail with bottom rail and cut both rails with miter box or hacksaw (See blade manufacturer's specs for correct blade) (Fig. 7).

### NOTE:

- You will have to cut through an aluminum insert in the top rail of an 8' section.
- Prior to installing round aluminum balusters, insert the provided foam strip into the top of the top rail and bottom of the bottom rail (sides opposite of routed holes).
- Cut foam strip to rail length.
- **DO NOT REMOVE THE RELEASE PAPER FROM ENTIRE STRIP! ONLY** remove 1" of the release paper from each end of the foam strip to expose adhesive (Fig. 8).
- Press the foam strips onto rails (Fig. 9). For top rails 8' and longer in length, the strip will adhere to the aluminum stiffener instead of the top rail itself.



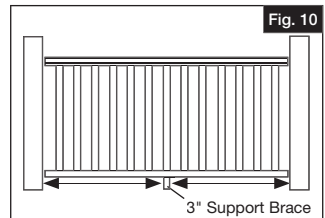
# 6.

## Install 3" support brace to rail:

3" support braces are included with railing kits.

Two support braces are included with 8' and 10' railing kits. Install support braces evenly across span of railing section.

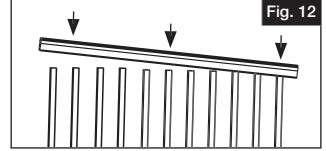
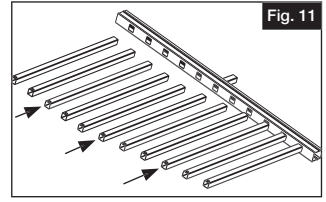
Locate and mark the center point on the underside of the bottom rail. Attach the rail support to the bottom rail using the supplied set screw (Fig. 10).



# 7.

## Assemble Railing Section:

Lay bottom rail on a clean smooth surface and snap balusters into routed holes (Fig. 11). Then repeat the process to connect the top rail (Fig. 12).

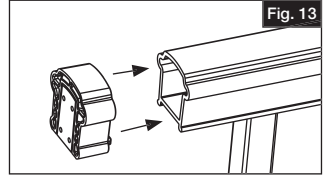


# 8.

Slide brackets onto ends of rails (top and bottom) (Fig. 13).

### NOTE:

DO NOT screw bracket into top rail until you reach Step 10.



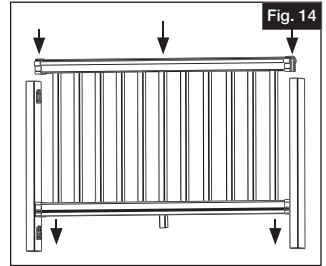
# 9.

## Hang Assembled Rail Section onto Dovetails:

Slide assembled rail section straight down between both posts, and onto each dovetail (Fig. 14).

### NOTE:

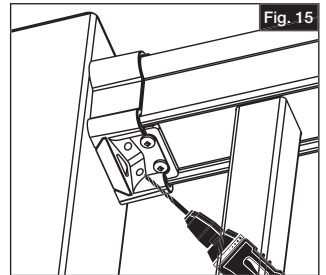
For railing sections using aluminum balusters the installer will have to carefully hold top and bottom railings together to make sure section does not separate. (Aluminum balusters do not come with lock tabs)



# 10.

Install four 2" screws through the bottom of the top rail brackets into handrail.

- Pre-drill all four holes with a  $\frac{5}{32}$ " drill bit. Install the first two screws straight (90 degrees) through the pre-drilled holes in the bottom of the bracket.
- Install the next two screws at 45 degrees through the brackets into the post, starting with the dimples on the bottom of the top rail bracket (Fig. 15).



## ANGLED RAIL INSTALLATION:

1.

For angled rail installation other than at 90 degrees or 180 degrees, purchase angle brackets.

Closely follow Post Install Kit installation instructions or use a Post Jacket on an existing wood post.

2.

If installing rail system on a 4"x4" post jacket using a one-piece base trim, install the base trim over the post sleeve prior to installation. If installing rail system with 5"x5" post jacket using a two-piece base trim. Trim can be installed before or after rail installation.

- For the post where the angled bracket will be installed, measure from the top of the base trim to the bottom of the already installed top rail (Fig. 1).
- Mark this location on the side of the post where the angled bracket will be installed. Bases should align with installed rail section.
- While holding bracket base against post, mark with a pencil the four screw holes for the angled bracket placement on this post (Fig. 2).

### NOTE:

The measurement from the top of the base trim (or mounting surface) to the bottom of the top rail is the location of the bottom of the top rail brackets for all following rails.

3.

With a 1/8" drill bit, pre-drill the holes for the top and bottom brackets.

4.

Install angled bracket bases to post with 2" screws.

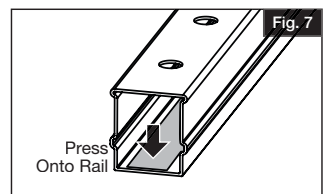
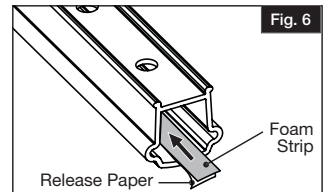
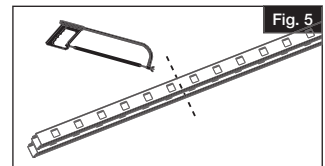
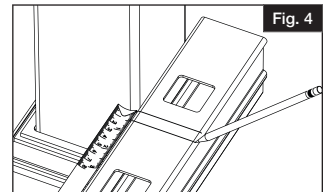
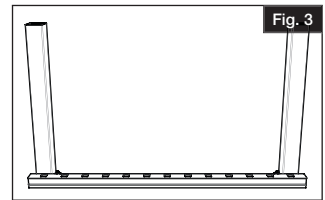
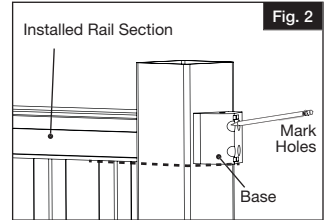
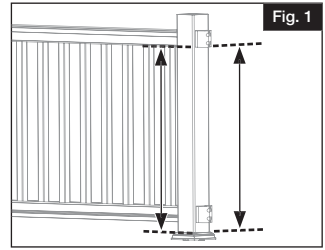
5.

### Cut Rails to Length:

Place bottom rail across post opening leaving equivalent spacing from the last baluster and post on each end (Fig. 3). Mark 2" from end of post to allow room for bracket width and expansion (Fig. 4). Align top rail with bottom rail and cut both rails with miter box or hacksaw (See blade manufacturer's specs for correct blade) (Fig. 5).

### NOTE:

- You will have to cut through an aluminum insert in the top rail of an 8' section.
- Prior to installing round aluminum balusters, insert the provided foam strips into the top of the top rail and bottom of the bottom rails (sides opposite of routed holes). Cut to rail length. Then, remove 1" of the release paper from each end to expose adhesive (Fig. 6). Press fit the foam strips to rails (Fig. 7). DO NOT remove the release paper from entire strip – Only remove 1" from each end. For top rails 8' and longer in length, the strip will adhere to the aluminum stiffener instead of the top rail itself.



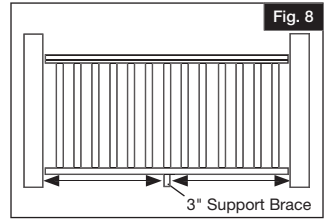
# 6.

## Install 3" support brace to rail:

3" support braces are included with railing kits.

Two support braces are included with 8' and 10' railing kits. Install support braces evenly across span of railing section.

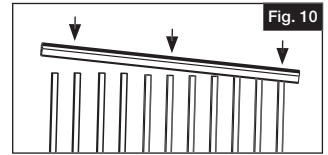
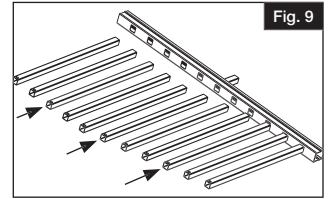
Locate and mark the center point on the underside of the bottom rail. Attach the rail support to the bottom rail using the supplied set screw (Fig. 8).



# 7.

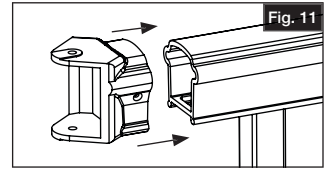
## Assemble Railing Section:

Lay bottom rail on a clean smooth surface and snap balusters into routed holes (Fig. 9). Then repeat the process to connect the top rail (Fig. 10).



# 8.

Slide brackets onto ends of rails (top and bottom) (Fig. 11).



# 9.

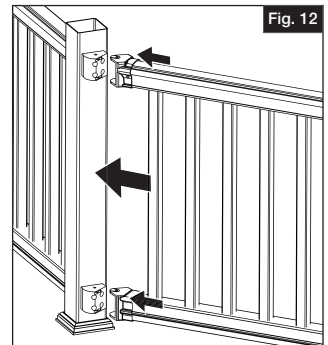
## Place Assembled Rail Section over Angled Bracket Bases:

Slide assembled rail section straight between both posts, and over each angled bracket base (Fig. 12).

Slide provided pins in top/bottom angled brackets to lock angled brackets to base.

### NOTE:

When installing angled rail and connecting the rail section, the angled bracket base needs to be flipped on the opposite post based on direction of the install.



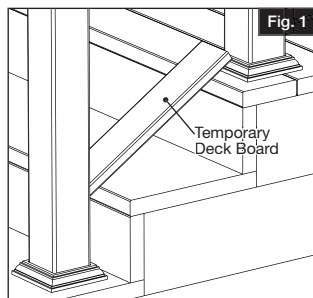
# 10.

Install two 1/4" screws into the sides of each top angled bracket, securing it to the handrail. Insert screw caps onto each top bracket.

## STAIR RAIL INSTALLATION:

1.

Closely follow Post Install Kit installation instructions or use a Post Jacket on an existing 4x4 wood post.



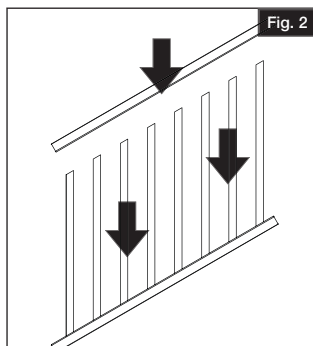
2.

Temporarily secure a deck board (5/4") to your stair treads to determine the spacing between the nose of the stairs and your bottom rail (Fig. 1).

3.

### Assemble your stair railing:

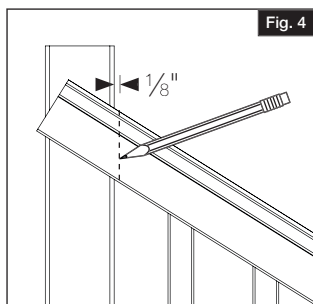
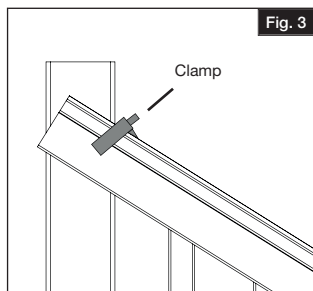
- Each kit with vinyl balusters contains 2 tabbed balusters. Space them evenly into each section.
- Assemble your stair railing section by snapping balusters into bottom rail (Fig. 2)



4.

### Stabilize Section:

- Place assembled stair railing section adjacent to mounted stair posts, leaving equal distances from the ends of both balusters and clamp your stair railing section to the posts (Fig. 3).
- Trace the post onto each rail (both ends of top and bottom rails). Make four marks in total being sure to mark  $\frac{1}{8}$ " shorter to allow for expansion (Fig. 4).

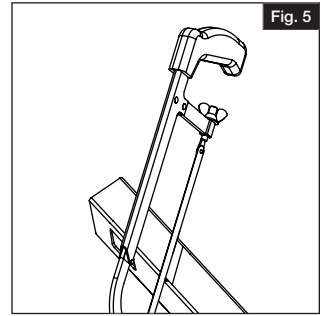




**5.**

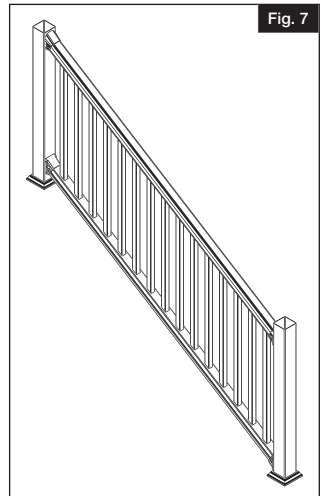
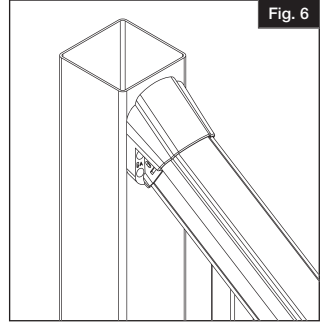
**Cutting Rails:**

Remove clamped stair kit from posts. Cut along all four angled marks on rails (Fig. 5).



**6.**

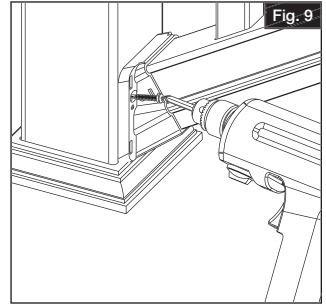
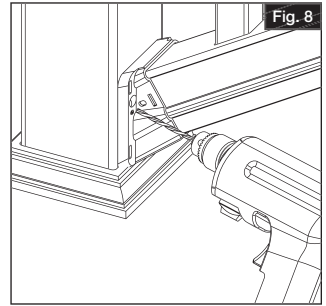
Slide the stair brackets onto the rails (Fig. 6) and place rail section between your posts (Fig. 7).



# 7.

## For Bottom Rail Brackets:

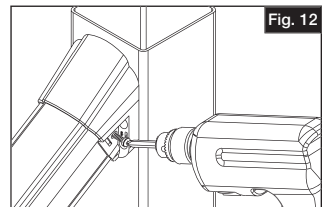
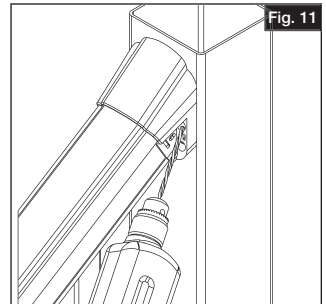
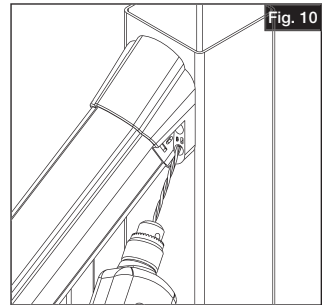
- a. Center your bracket on the post. Using the holes in the bracket as a guide, predrill one of the holes with an  $\frac{1}{8}$ " drill bit (Fig. 8).
- b. Drive one of the #10 x  $1\frac{1}{4}$ " self tapping square drive screws into the bracket (Fig. 9).
- c. Pre drill the remaining hole and drive the  $1\frac{1}{4}$ " screw being careful not to overtighten.
- d. Repeat this at the top and bottom of the stairs.



# 8.

## For Top Rail Brackets:

- a. Center your bracket on the post. Using the holes in the bracket as a guide, predrill one of the lower holes with a  $\frac{1}{8}$ " drill bit (Fig. 10). Drive one of the #10 x 2" screws through this hole. Pre drill the other lower hole and drive another 2" screw into it. Now predrill the upper 2 holes in the bracket (Fig. 11). Drive two more 2" screws into those holes. Be careful not to overtighten.
- b. Using the pre molded hole in the bracket as a guide, predrill one side (outside of the stair rail installation) of the top rail bracket with  $\frac{1}{8}$ " drill bit (Fig. 12). Drive #10 x 1" pan head square drive screw through bracket and rail. Do NOT overtighten.



# 9.

Snap on bracket covers by matching the letters on the covers with the letters molding into the brackets (Fig. 13).

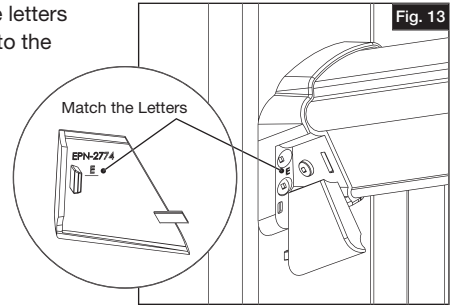


Fig. 13





# KIT DE RAMPE HORIZONTALE ET DE RAMPE D'ESCALIER DE LA SÉRIE BELLA PREMIER

## Instructions d'installation

English .....	1
Français .....	13
Español.....	25



Lire toutes les instructions avant d'installer le produit.  
Consulter les consignes de sécurité du fabricant lors de l'utilisation d'outils.

Pour enregistrer le produit, visiter : [barretteoutdoorliving.com](http://barretteoutdoorliving.com)

## ▲ AVERTISSEMENT :

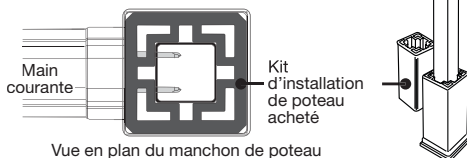
- Une mauvaise installation du produit peut causer des blessures. Toujours porter des lunettes de sécurité lors de la coupe, du perçage et de l'assemblage du produit.
- Une installation incorrecte est susceptible de causer des dommages au produit ou des blessures à la personne qui en fait l'installation

## AVIS :

- NE PAS assembler le produit s'il y a des pièces manquantes ou endommagées.
- NE PAS retourner le produit au magasin. Pour obtenir de l'aide ou des pièces de remplacement, composer le 1-877-265-2220.

## AVANT DE COMMENCER :

Les poteaux de rampe en vinyle doivent être renforcés à l'intérieur à des fins de support de charge. Ainsi, on doit utiliser un kit d'installation de poteau ou un poteau en bois dans un manchon de poteau. Le kit d'installation de poteau et les poteaux en bois sont vendus séparément.



## OUTILS NÉCESSAIRES :

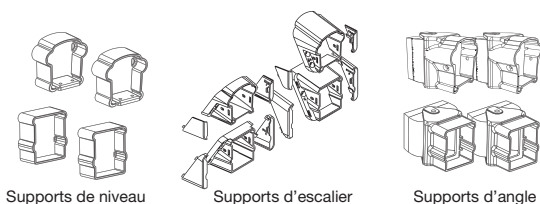
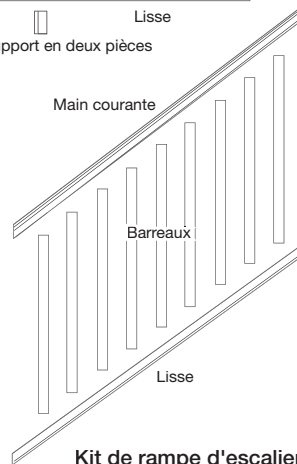
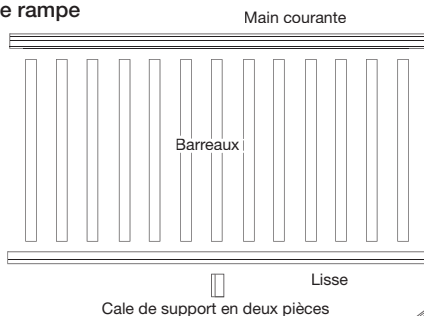
Ruban à mesurer
Niveau
Scie à métaux ou scie à onglets
Maillet de caoutchouc
Perceuse
Embout carré no 2
Mèche 1/8 po (3,2 mm)
Crayon
Planche de terrasse temporaire
Lunettes de sécurité

## Composantes de rampe et de rampe d'escalier :

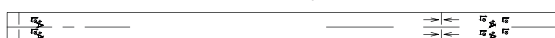
Description
Main courante
Lisse
Barreaux
Cale de support en deux pièces
Supports de niveau
Supports d'escalier
Supports d'angle de gauche/de droite*
Vis à prise carrée 1 1/4 po (32 mm)
Vis à prise carrée 2 po (50 mm)
Vis à prise carrée 1 po (25 mm)
Gabarits
Bandes adhésives en mousse

\*Vendue séparément

### Kit de rampe



Bande adhésive en mousse pour barreaux en aluminium



Gabarit de support d'escalier

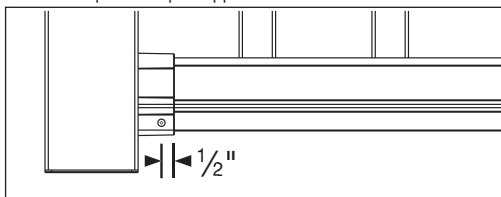


Pour obtenir et examiner une copie de la garantie, visitez [barretteoutdoorliving.com](http://barretteoutdoorliving.com). Vous pouvez également nous appeler au 1-877-265-2220 ou nous envoyer un courriel à [Cs.outdoorliving@barretteoutdoorliving.com](mailto:Cs.outdoorliving@barretteoutdoorliving.com)

### POUR RAMPE DE 10 PI (305 CM) SEULEMENT :

Comme illustré, enfoncer la vis fournie à travers le support du bas à environ  $\frac{1}{2}$  po (12 mm) de la face avant du support en la centrant verticalement sur la surface plane.

Procéder ainsi pour chaque support du bas.



### INSTALLATION DE RAMPE HORIZONTALE :

# 1.

Bien suivre les instructions d'installation dans le kit de poteau ou utiliser un manchon de poteau pour un poteau en bois existant.

#### NOTE :

Le système de rampe est conçu pour être utilisé pour les manchons de poteau de 4 po x 4 po (102 mm x 102 mm) et de 5 po x 5 po (127 mm x 127 mm). Si l'on utilise des manchons de 4 po x 4 po (102 mm x 102 mm), la main courante et la lisse sont conçues pour être utilisées sur des poteaux structuraux installés à intervalles de 72 po (182,9 cm) c/c. Si l'on utilise des manchons de 5 po x 5 po (127 mm x 127 mm), les poteaux sont toujours installés à intervalles de 72 po (182,9 cm) c/c, mais on doit couper la rampe légèrement pour l'ajuster.

# 2.

#### Installation du support en queue d'aronde :

Si l'on utilise des manchons de 4 po x 4 po (102 mm x 102 mm) avec une garniture de base d'une seule pièce, glisser la garniture de base sur le manchon de poteau avant l'installation. Si l'on utilise des manchons de 5 po x 5 po (127 mm x 127 mm) avec une garniture de base en deux pièces, utiliser un gabarit d'installation pour régler la hauteur de la rampe avant d'installer la garniture de base.

Selon le type d'installation, suivre les instructions pour le gabarit fourni.

#### Manchon de poteau 4 po x 4 po (102 mm x 102 mm) avec garniture Heritage :

- Dans le cas d'une rampe de 36 po (91,4 cm) de hauteur, couper le manchon au besoin et placer le gabarit d'installation de support en queue d'aronde contre le manchon de poteau directement sur le dessus de la garniture de base, et utiliser un élastique pour le maintenir en place (Fig. 1).
- Dans le cas d'une rampe de 42 po (106,6 cm) de hauteur, installer le support en queue d'aronde du haut à 37 $\frac{1}{2}$  po (96,2 cm) du haut de la surface de montage et installer le support du bas à 2 po (50 mm) de la surface de montage (Fig. 2).

#### Manchon 5 po x 5 po (127 mm x 127 mm) avec garniture de base en deux pièces :

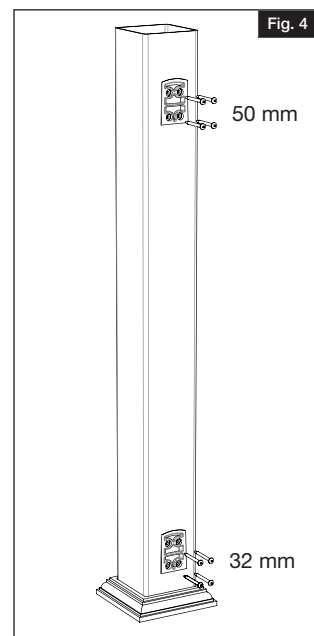
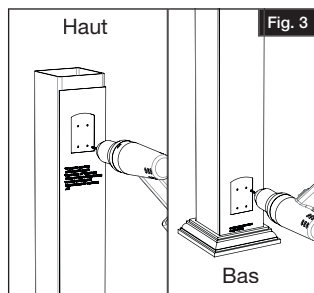
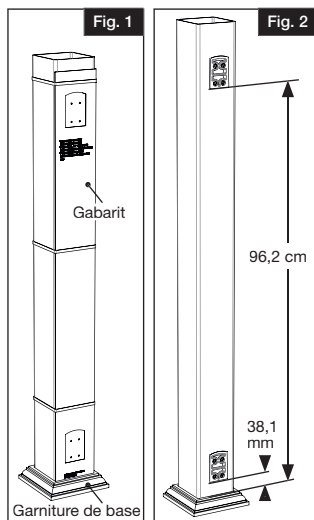
- Dans le cas d'une rampe de 36 po (91,4 cm) de hauteur, placer le gabarit d'installation de support en queue d'aronde contre le manchon de poteau directement sur la surface de montage, et utiliser un élastique pour le maintenir en place.
- Dans le cas d'une rampe de 42 po (106,6 cm) de hauteur, installer le support en queue d'aronde du haut à 39-1/8 po (99,4 cm) du haut de la surface de montage et installer le support du bas à 2 po (50 mm) de la surface de montage.

Au moyen d'une mèche de  $\frac{1}{8}$  po (3,2 mm), percer des avant-trous pour les supports du haut et du bas (Fig. 3). Enlever le gabarit (le cas échéant).

# 3.

# 4.

Utiliser des vis de 2 po (50 mm) pour fixer les supports en queue d'aronde du haut. Les vis doivent pénétrer la pièce insérée en acier (si l'on utilise la trousse d'installation de poteau en acier). Utiliser des vis de 1 $\frac{1}{4}$  po (32 mm) pour fixer les supports en queue d'aronde du bas (Fig. 4).



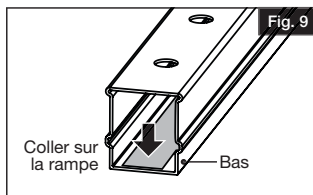
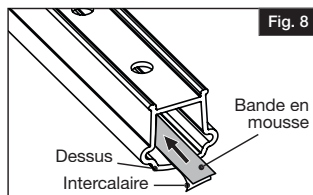
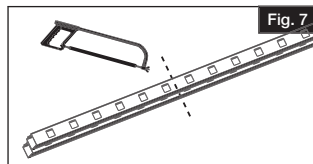
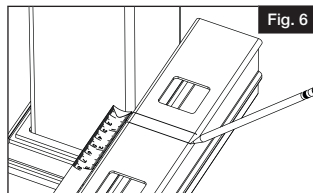
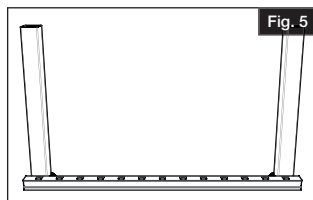
# 5.

## Couper les rampes à la longueur désirée :

Placer la lisse dans l'ouverture entre les poteaux en laissant un espace équivalent entre le dernier barreau et le poteau à chaque extrémité (Fig. 5). Faire une marque pour indiquer un espace de 1/2 po (12 mm) à l'extrémité du poteau pour tenir compte de la largeur du support et de la dilatation (Fig. 6). Aligner la main courante sur la lisse et couper les deux pièces à l'aide d'une scie à onglets ou d'une scie à métaux [voir les spécifications du fabricant pour le choix de la lame] (Fig. 7).

### NOTE:

- On doit couper à travers une pièce insérée en aluminium dans la main courante d'une section de 8 pi (243,8 cm).
- Avant d'installer des barreaux en aluminium ronds, placer la bande en mousse fournie sur la partie supérieure de la main courante et sur la partie inférieure de la lisse (côtés opposés aux trous toupillés).
- Couper la bande en mousse à la longueur des rampes.
- NE PAS ENLEVER L'INTERCALAIRE SUR TOUTE LA BANDE. Enlever SEULEMENT 1 po (25 mm) de l'intercalaire à chaque extrémité de la bande en mousse pour exposer l'adhésif (Fig. 8).
- Appuyer sur la bande en mousse pour la coller sur les rampes (Fig. 9). Dans le cas des mains courantes de 8 pi (243,8 cm) de longueur, la bande adhère au raidisseur en aluminium et non pas à la main courante elle-même.



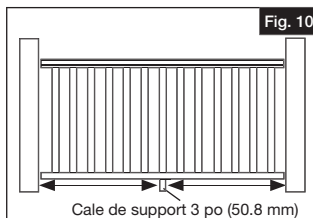
# 6.

## Fixer la cale de support de 3 po (50 mm) à la lisse :

Des cales de support de 3 po (50 mm) sont fournies dans les kits de rampe.

Deux cales de support sont fournies dans les kits de rampe de 8 pi (244 cm) et de 10 pi (305 cm). Installer les cales de support à intervalles réguliers le long de la section de rampe.

Faire une marque indiquant le centre sur le dessous de la lisse. Fixer la cale de support sur le dessous de la lisse à l'aide de la vis de réglage fournie (Fig. 10).

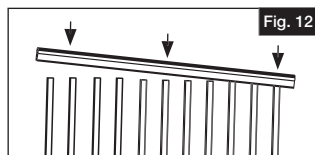
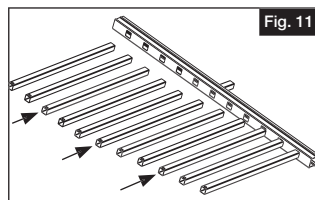




# 7.

## Assembler la section de rampe :

Placer la lisse sur une surface propre et lisse. Enclencher les barreaux dans les trous (Fig. 11). Suivre le même processus pour la main courante (Fig. 12).

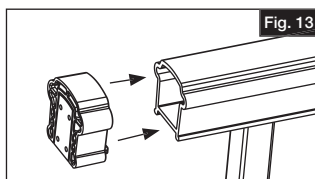


# 8.

Glisser les supports sur les extrémités de la main courante et de la lisse (Fig. 13).

### NOTE:

NE PAS visser le support dans la main courante avant d'avoir atteint l'étape 10.



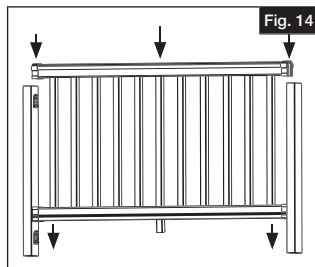
# 9.

## Installer la section de rampe assemblée sur les supports en queue d'aronde :

Glisser la section de rampe assemblée entre les poteaux jusque sur les supports en queue d'aronde (Fig. 14).

### NOTE:

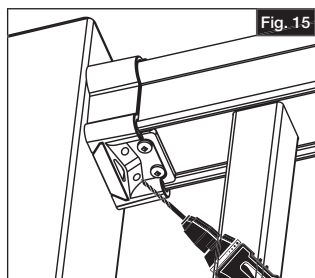
Dans le cas des sections de rampe avec barreaux en aluminium, l'installateur doit s'assurer de bien tenir ensemble le haut et le bas de la section de rampe pour éviter que les barreaux ne s'écartent (les barreaux en aluminium ne sont pas munis de pattes de blocage).



# 10.

Enfoncer quatre vis de 2 po (50 mm) à travers la partie inférieure des supports jusque dans la main courante.

- Utiliser une mèche de 5/32 po (4 mm) pour percer les quatre avant-trous. Enfoncer les deux premières vis à un angle de 90 degrés dans les avant-trous de la partie inférieure du support.
- Enfoncer les deux autres vis à un angle de 45 degrés à travers le support jusque dans le poteau, à partir des fossettes sur la partie inférieure du support de main courante (Fig. 15).



## INSTALLATION DE RAMPE EN ANGLE :

1.

Pour une installation en angle (autre qu'à 90° ou 180°), acheter des supports d'angle.

Bien suivre les instructions d'installation dans le kit de poteau ou utiliser un manchon de poteau pour un poteau en bois existant.

2.

Si l'on utilise des manchons de 4 po x 4 po (102 mm x 102 mm) avec une garniture de base d'une seule pièce, glisser la garniture de base sur le manchon de poteau avant l'installation. Si l'on utilise des manchons de 5 po x 5 po (127 mm x 127 mm) avec une garniture de base en deux pièces, la garniture peut être installée avant ou après l'installation des rampes.

- Dans le cas du poteau où sera installé le support en angle, mesurer à partir du dessus de la garniture de base jusqu'à la partie inférieure de la main courante déjà installée (Fig. 1).
- Marquer cet emplacement sur le côté du poteau. La base des supports devrait être alignée sur la section de rampe installée.
- En tenant la base du support contre le poteau, utiliser un crayon pour marquer l'emplacement sur le poteau des quatre trous de vis pour le support en angle (Fig. 2).

### NOTE:

La mesure à partir du dessus de la garniture de base (ou surface de montage) jusqu'au bas de la main courante indique l'emplacement de la partie inférieure des supports de main courante pour toutes les sections de rampe à venir.

3.

Au moyen d'une mèche de 1/8 po (3,2 mm), percer des avant-trous pour les supports du haut et du bas.

4.

Fixer les bases de support en angle au poteau à l'aide de vis de 2 po (50 mm).

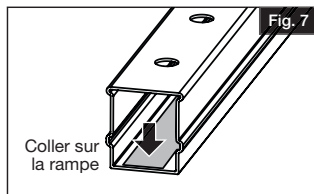
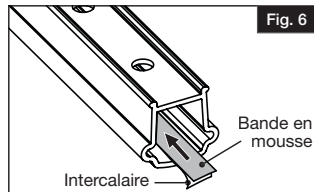
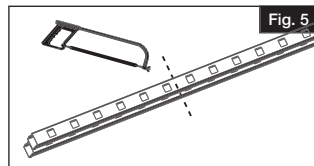
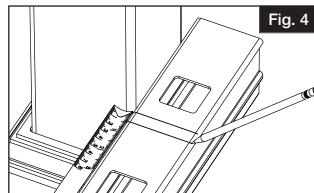
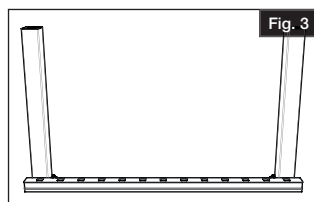
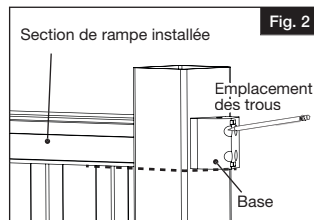
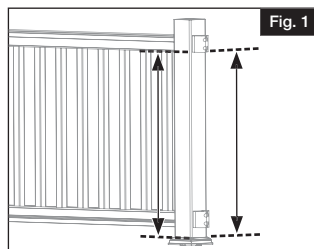
5.

### Couper les rampes à la longueur désirée :

Placer la lisse dans l'ouverture entre les poteaux en laissant un espace égal entre le dernier barreau et le poteau à chaque extrémité (Fig. 3). Faire une marque pour indiquer un espace de 2 po (50 mm) à l'extrémité du poteau pour tenir compte de la largeur du support et de la dilatation (Fig. 4). Aligner la main courante sur la lisse et couper les deux pièces à l'aide d'une scie à onglets ou d'une scie à métaux [voir les spécifications du fabricant pour le choix de la lame] (Fig. 5).

### NOTE:

- On doit couper à travers une pièce insérée en aluminium dans la main courante d'une section de 8 pi (243,8 cm).
- Avant d'installer des barreaux en aluminium ronds, placer la bande en mousse fournie sur la partie supérieure de la main courante et sur la partie inférieure de la lisse (côtés opposés aux trous toupillés). Couper la bande en mousse à la longueur des rampes. Puis, enlever 1 po (25 mm) de l'intercalaire à chaque extrémité de la bande en mousse pour exposer l'adhésif (Fig. 6). Appuyer sur la bande en mousse pour la coller sur les rampes (Fig. 7). NE PAS enlever l'intercalaire sur toute la bande.
- Enlever seulement 1 po à chaque extrémité. Dans le cas des mains courantes de 8 pi (243,8 cm) de longueur, la bande adhèrera au raidisseur en aluminium et non pas à la main courante elle-même.



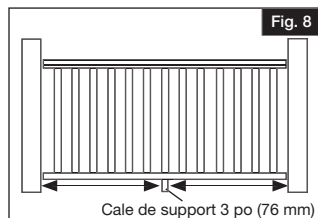
# 6.

## Fixer la cale de support de 3 po (50 mm) à la rampe :

Des cales de support de 3 po (50 mm) sont fournies dans les kits de rampe.

Deux cales de support sont fournies dans les kits de rampe de 8 pi (244 cm) et de 10 pi (305 cm). Installer les cales de support à intervalles réguliers le long de la section de rampe.

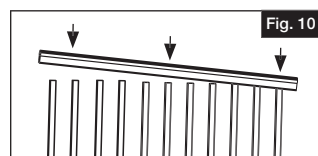
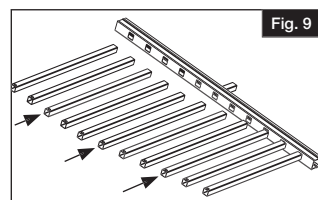
Faire une marque indiquant le centre sur le dessous de la lisse. Fixer la cale de support sur le dessous de la lisse à l'aide de la vis de réglage fournie (Fig. 8).



# 7.

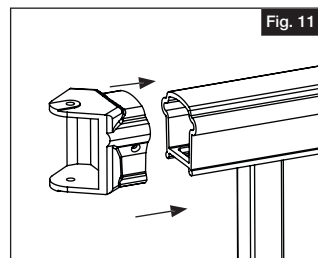
## Assembler la section de rampe :

Placer la lisse sur une surface propre et lisse. Enclencher les barreaux dans les trous (Fig. 9). Suivre le même processus pour la main courante (Fig. 10).



# 8.

Glisser les supports sur les extrémités de la main courante et de la lisse (Fig. 11).



# 9.

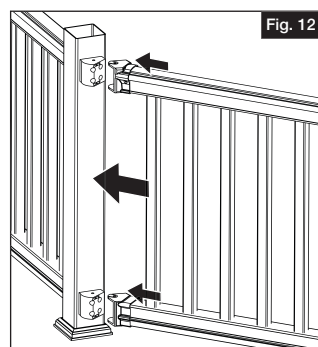
## Installer la section de rampe assemblée sur les bases de support en angle :

Glisser la section de rampe assemblée entre les poteaux jusque sur les bases de support en angle (Fig. 12).

Insérer les goupilles fournies dans le haut et le bas des supports en angle pour les verrouiller à la base.

### NOTE:

Lors de l'installation d'une section de rampe en angle, la base du support en angle doit être retournée sur le poteau opposé en fonction de la direction de l'installation.



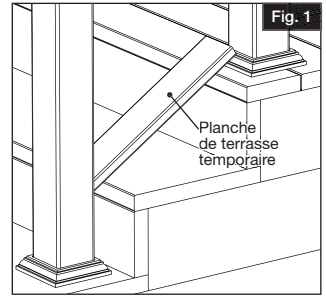
# 10.

Enfoncer deux vis de 1-1/4 po (32 mm) dans les côtés de chaque support en angle pour les fixer à la main courante. Mettre des capuchons sur les têtes de vis de chaque support de main courante.

## INSTALLATION D'UNE RAMPE D'ESCALIER :

1.

Suivre attentivement les instructions d'installation du kit d'installation de poteau ou utiliser un manchon de poteau sur un poteau en bois de 4 po x 4 po (101,6 mm x 101,6 mm) existant.



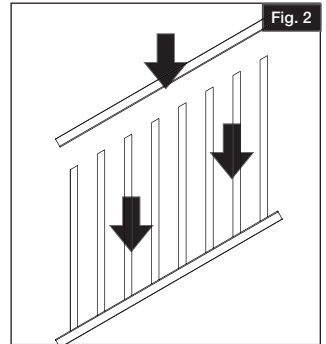
2.

Fixer temporairement une planche de terrasse (5/4 po/31,8 mm) sur les marches de l'escalier pour déterminer l'espacement entre le nez des marches et la traverse inférieure (Fig. 1).

3.

### Assemblage de la rampe d'escalier :

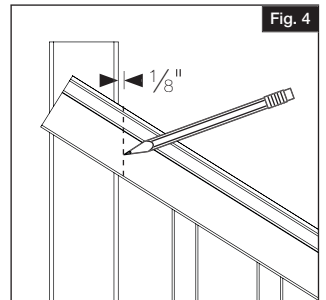
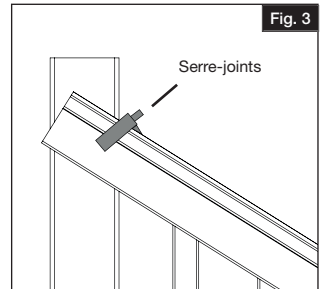
- Chaque kit de barreaux en vinyle contient deux barreaux avec languette. Espacer les barreaux uniformément dans chaque section.
- Assembler la section de rampe d'escalier en enclenchant les barreaux dans la traverse inférieure (Fig. 2).



4.

### Stabilisation de la section :

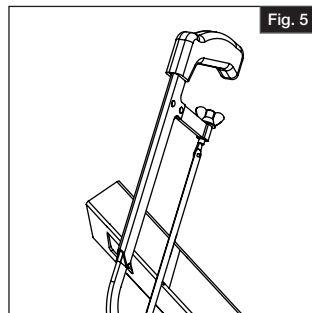
- Placer la section de rampe d'escalier assemblée à côté des poteaux d'escalier déjà installés en laissant une distance égale aux extrémités des deux barreaux. Puis, fixer la section de rampe d'escalier aux poteaux (Fig. 3).
- Marquer l'emplacement du poteau sur chaque traverse (les deux extrémités des traverses supérieure et inférieure). Faire quatre marques au total en s'assurant de tracer des marques 1/8 po (3,2 mm) plus courtes pour permettre la dilatation (Fig. 4).



# 5.

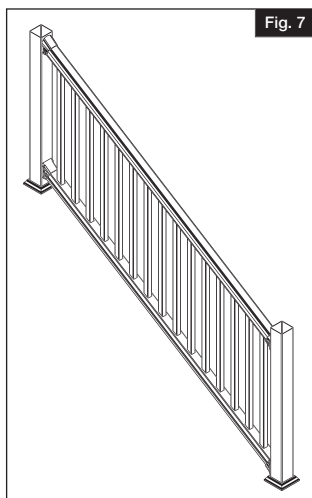
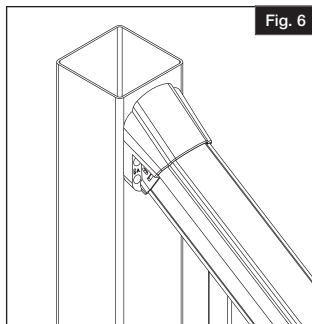
## Coupe des traverses :

Retirer le kit d'escalier des poteaux. Couper le long des quatre marques en angle sur les traverses (Fig. 5).



# 6.

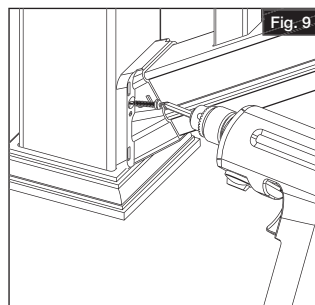
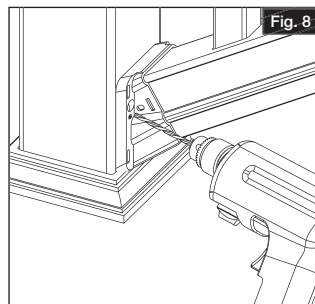
Faire glisser les supports d'escalier sur les traverses (Fig. 6) et placer la section de rampe entre les poteaux (Fig. 7).



# 7.

## Supports de traverse inférieure :

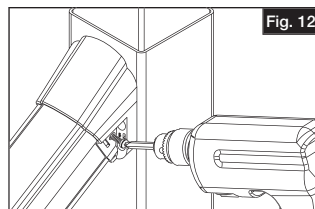
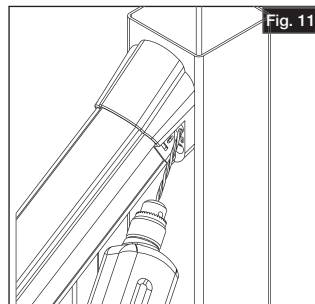
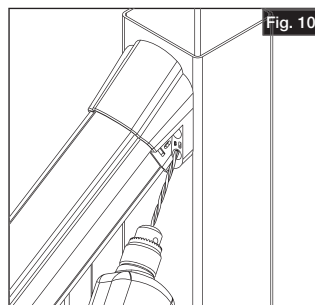
- Centrer le support sur le poteau. En utilisant les trous du support comme guide, percer un avant-trou au moyen d'un foret de 1/8 po (3,2 mm) (Fig. 8).
- Enfoncer une des vis autotaraudeuses à tête carrée no 10 x 1-1/4 po (31,8 mm) dans le support (Fig. 9).
- Percer l'autre avant-trou et enfoncer la vis 1-1/4 po (31,8 mm) en veillant à ne pas trop serrer.
- Répéter cette opération au haut et au bas de l'escalier.



# 8.

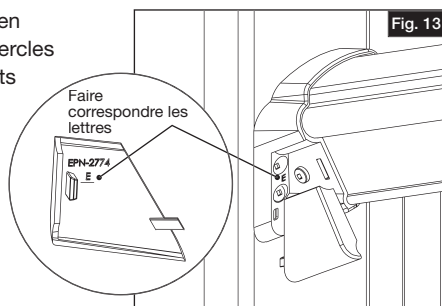
## Supports de traverse supérieure :

- Centrer le support sur le poteau. En utilisant les trous du support comme guide, percer un avant-trou au moyen d'un foret de 1/8 po (3,2 mm) (Fig. 10). Enfoncer une des vis autotaraudeuses à tête carrée no 10 x 2 po (50 mm) dans ce trou. Percer l'autre avant-trou du bas et y enfoncer une autre vis de 2 po (50 mm). Percer maintenant les deux avant-trous pour le haut du support (Fig. 11). Enfoncer deux autres vis de 2 po (50 mm) dans ces trous. Ne pas trop serrer les vis.
- En utilisant le trou prémoulé dans le support comme guide, percer un avant-trou sur un côté (à l'extérieur de l'installation de la rampe d'escalier) du support de rampe supérieure au moyen d'un foret de 1/8 po (3,2 mm) (Fig. 12). Enfoncer une vis à tête cylindrique carrée no 10 x 1 po (25 mm) à travers le support et la traverse. Ne PAS trop serrer.



# 9.

Encliquer les couvercles des supports en faisant correspondre les lettres des couvercles avec les lettres moulées dans les supports (Fig. 13).









# KIT DE BARANDAL Y BARANDALES DE ESCALERA DE COMPUESTO SERIE PREMIER BELLA

## Instrucciones de Instalación

English .....	1
Français .....	13
Español.....	25



Lea todas las instrucciones antes de la instalación del producto.  
Consulte las instrucciones de seguridad del fabricante al utilizar herramientas.

Para registrar su producto, visite: [barretteoutdoorliving.com](http://barretteoutdoorliving.com)

## ⚠ ADVERTENCIA:

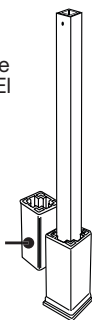
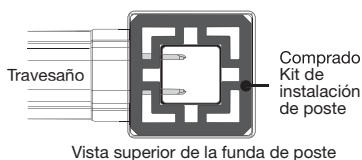
- La instalación incorrecta de este producto puede resultar en lesiones corporales. Utilizar siempre gafas de seguridad al momento de cortar, taladrar y ensamblar el producto.
- La instalación incorrecta puede causar daños al producto o a personas.

## AVISO:

- NO intentar ensamblar el kit si faltan piezas o las piezas están dañadas.
- NO devolver el producto a la tienda. Para obtener ayuda o piezas de repuesto, llamar al: 1-877-265-2220.

## ANTES DE COMENZAR:

Los postes del barandal de vinilo requieren un sistema de soporte interno para poder soportar el peso y, por lo tanto, es necesario usar un kit de instalación de postes o un poste de madera dentro de la funda de poste. El kit de instalación de postes y el poste de madera se compran por separado.



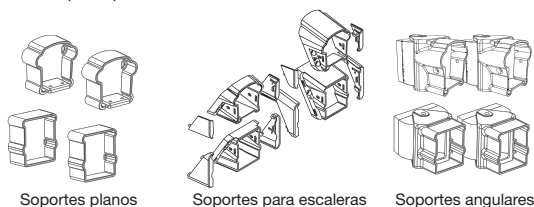
## HERRAMIENTAS QUE SE REQUIEREN:

Cinta métrica
Nivel
Sierra o tronczadora
Martillo de goma
Taladro
Punta de destornillador cuadrado #2
Broca de 1/8"
Lápiz
Tablón temporal
Gafas de protección

## Componentes del barandal y del barandal de escalera:

Descripción
Travesaño superior
Travesaño inferior
Barros/Pilares
Soporte(s) de refuerzo de dos piezas
Soportes planos
Soportes para escaleras
Soportes para ángulos de izquierda a derecha*
Tornillos para destornillado cuadrado de 1 1/2"
Tornillos para destornillado cuadrado de 2"
Tornillos para destornillado cuadrado de 1"
Plantillas
Tiras adhesivas de espuma

\*Se venden por separado



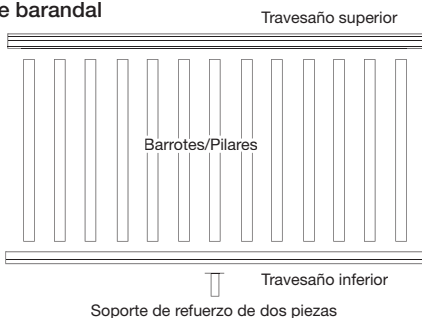
Tiras adhesivas de espuma para barros de aluminio



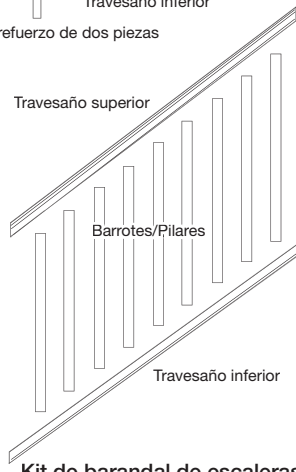
Plantilla de soporte



## Kit de barandal



Travesaño superior

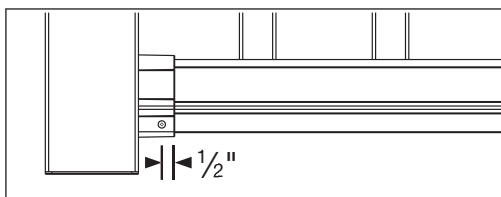


Kit de barandal de escaleras

Para obtener y revisar una copia de la garantía, sírvase visitar [barretteoutdoorliving.com](http://barretteoutdoorliving.com). También puede contactarnos en el 1-877-265-2220 o enviar un correo electrónico a [Cs.outdoorliving@barretteoutdoorliving.com](mailto:Cs.outdoorliving@barretteoutdoorliving.com)

## SOLO PARA BARANDALES DE 10' (3,05 M):

Instalar los tornillos incluidos a través del soporte inferior, como se muestra, aproximadamente a 1/2" (1,27 cm) desde la cara delantera del soporte, centrado verticalmente sobre la superficie plana. Repetir el procedimiento para cada soporte inferior.



### INSTALACIÓN DE BARANDAL PLANO:

1.

Seguir atentamente las instrucciones de instalación del kit de instalación de postes o utilizar una funda de poste sobre un poste de madera existente.

2.

#### Instalación de la espiga del soporte:

Si se instala un sistema de barandal con funda para poste de 4" x 4" utilizando una moldura base de una sola pieza, instalar la moldura sobre la funda antes de la instalación. Si se instala un sistema de barandal con funda para poste de 5" x 5" utilizando una moldura base de dos piezas, se utilizará una plantilla de instalación para establecer la altura del barandal antes de instalar la moldura base.

Seguir las instrucciones en la plantilla proporcionada según el tipo de instalación.

#### Funda para poste de 4" x 4" con moldura Heritage:

a. Para barandales de 36" (91,44 cm) de altura, cortar según sea necesario y colocar la plantilla de instalación de la espiga contra la funda directamente sobre la moldura base y fijarla en su lugar con una liga (Fig. 1).

b. En los barandales con una altura de 42" (106,68 cm), la espiga de soporte superior se instalará a 37 7/8" (96,20 cm) midiendo a partir de la parte superior de la moldura base y el soporte inferior se instalará a 3/4" (1,90 cm) midiendo a partir de la parte superior de la moldura base (Fig. 2).

Funda para poste de 5" x 5" con moldura de dos piezas:

a. Para barandales de 36" (91,44 cm) de altura, colocar la plantilla de instalación de la espiga contra la funda directamente sobre la superficie de montaje y fijarla en su lugar con una liga.

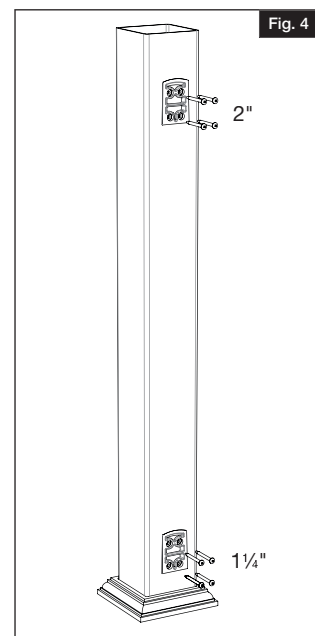
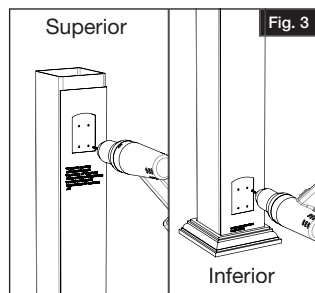
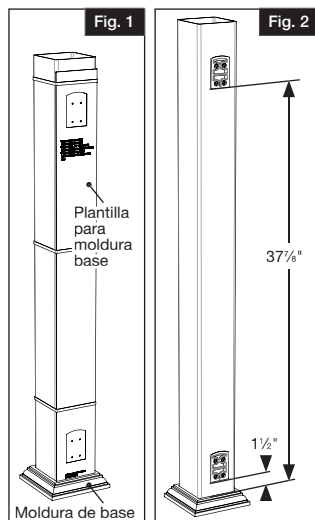
b. En los barandales con una altura de 42" (106,68 cm), la espiga de soporte superior se instalará a 39 1/8" (99,38 cm) midiendo a partir de la parte superior de la superficie de montaje y el soporte inferior se instalará a 2" (5,08 cm) midiendo a partir de la superficie de montaje.

3.

Con una broca de 1/8", taladrar los agujeros para los soportes superior e inferior (Fig. 3). Remover la plantilla (si se utilizó).

4.

Utilizar tornillos de 2" para fijar las espigas del soporte superior. Los tornillos deben penetrar en los insertos de acero (si se usa el kit de instalación de poste de acero). Utilizar tornillos de 1-1/4" para fijar las espigas del soporte inferior (Fig. 4).



# 5.

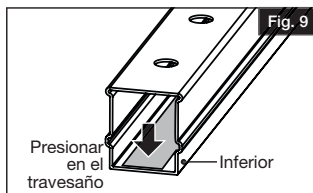
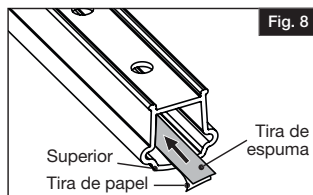
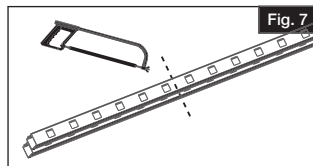
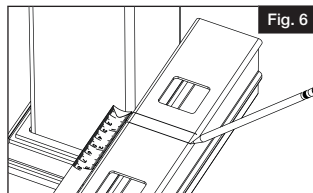
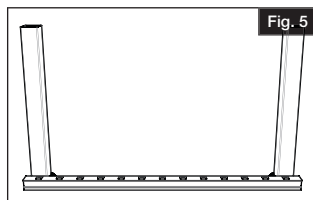
## Corte los travesaños a la longitud deseada:

Colocar el travesaño inferior perpendicular a la abertura del poste, dejando un espacio equivalente entre el último barrote y el poste en cada extremo (Fig. 5). Marcar  $1/2"$  (1,27 cm) a partir del extremo del poste para dejar espacio para el ancho del soporte y su expansión (Fig. 6). Alinear el travesaño superior con el inferior y cortar ambos travesaños con una caja de ingletes o sierra para metales (consultar las especificaciones del fabricante de la hoja de sierra para escoger la indicada) (Fig. 7).

### NOTA:

Deberá cortar a través de un inserto de aluminio en el travesaño superior en un tramo de 8' (2,44 m).

- Antes de la instalación de los barros de aluminio, insertar la tira de espuma suministrada en la parte superior del travesaño superior y en la parte inferior del travesaño inferior (en los lados opuestos a los orificios ranurados).
- Cortar la tira de espuma a la longitud de los travesaños.
- **NO REMOVER LA TIRA DE PAPEL DE TODA LA TIRA.** SOLO remover 1" (2,50 cm) de la tira de papel de cada extremo de la tira de espuma para exponer el adhesivo (Fig. 8).
- Presionar las tiras de espuma sobre los travesaños (Fig. 9). En los travesaños superiores con una longitud de 8' (2,44 m) o más, la tira se adherirá al refuerzo de aluminio del mismo travesaño superior.



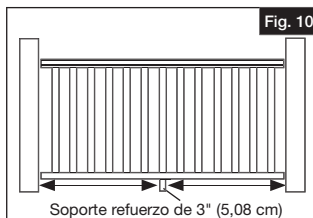
# 6.

## Instalar el soporte de refuerzo de 3" (5,08 cm) en el travesaño:

Se incluyen los soportes de refuerzo de 3" (5,08 cm) en los kits de barandales.

Los kits de barandal de 8' y 10' (2,44 m y 3,04 m) incluyen dos soportes de refuerzo. Instalar los soportes de refuerzo de manera uniforme a lo largo del tramo de barandal.

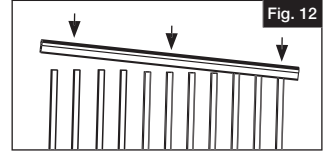
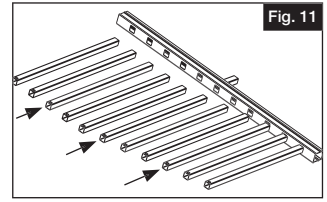
Ubicar y marcar el punto central por la parte inferior del travesaño inferior. Fijar el soporte en el travesaño inferior utilizando el tornillo de ajuste suministrado (Fig. 10)



# 7.

## Ensamblar el tramo del barandal:

Colocar el travesaño inferior sobre una superficie lisa y limpia y encajar los barrotes en los orificios ranurados (Fig. 11). A continuación, repetir el proceso para conectar el travesaño superior (Fig. 12).

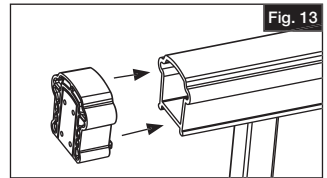


# 8.

Colocar los soportes en los extremos de los travesaños (superior e inferior) (Fig. 13).

### NOTA:

NO atornillar el soporte en el travesaño superior hasta llegar al Paso 10.



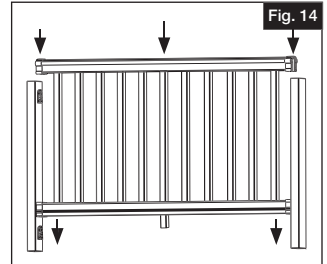
# 9.

## Colgar el tramo de barandal ensamblado en las espigas:

Deslizar el tramo de barandal ensamblado en forma recta hacia abajo entre los dos postes, de modo que repose en las espigas (Fig. 14).

### NOTA:

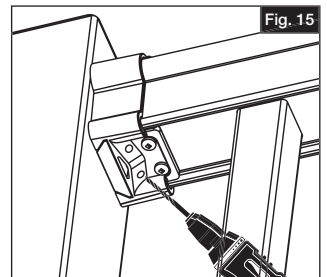
Para los tramos de barandal con barrotes de aluminio, el instalador debe mantener los travesaños superior e inferior juntos de modo que no se separe el tramo. (Los barrotes de aluminio no cuentan con pestañas de bloqueo)



# 10.

Instalar cuatro tornillos de 2" a través de la parte inferior de los soportes del travesaño superior hasta que lleguen al pasamanos.

- Taladrar los cuatro orificios con una broca de 5/32". Instalar los primeros dos tornillos en ángulo recto (90 grados) a través de los orificios en la parte inferior del soporte.
- Instalar los siguientes dos tornillos a un ángulo de 45 grados a través de los soportes hasta el poste, empezando con la hendidura en la parte inferior del soporte de travesaño superior (Fig. 15).



## INSTALACION DE TRAVESAÑO EN ÁNGULO:

1.

Para una instalación en ángulo que no sea de 90 o 180 grados, comprar soportes angulares.

Seguir atentamente las instrucciones de instalación del kit de instalación de postes o utilizar una funda de poste sobre un poste de madera existente.

2.

Si se instala un sistema de barandal con funda para poste de 4" x 4" utilizando una moldura base de una sola pieza, instalar la moldura sobre la funda antes de la instalación. Si se instala un sistema de barandal con funda para poste de 5" x 5" utilizando una moldura base de dos piezas, la moldura se puede instalar antes o después de la instalación del barandal.

- En el poste donde se instalará el soporte angular, medir desde la parte superior de la moldura base hasta la parte inferior del travesaño superior que ya fue instalado (Fig. 1).
- Marcar esta posición en el lado del poste donde se instalará el soporte angular. Las bases deben alinearse con los tramos de barandal instalados.
- Mientras se sostiene la base del soporte contra el poste, marcar con un lápiz los cuatro orificios de los tornillos para la colocación del soporte angular en ese poste (Fig. 2).

### NOTA:

La medición desde la parte superior de la moldura base (o superficie de montaje) hasta la parte inferior del travesaño superior es la ubicación de la parte inferior de los soportes del travesaño superior para todos los travesaños siguientes.

3.

Con una broca de 1/8", taladrar los orificios para los soportes superior e inferior.

4.

Instalar las bases del soporte angular en el poste con tornillos de 2".

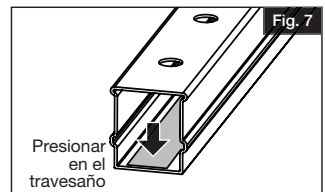
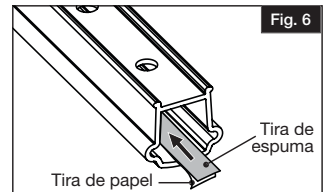
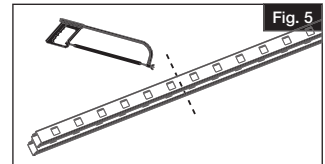
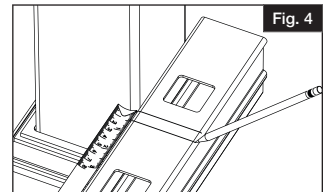
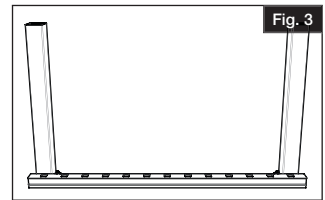
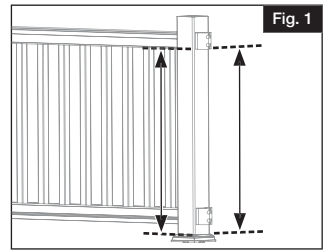
5.

### Cortar los travesaños a la longitud deseada:

Colocar el travesaño inferior perpendicular a la abertura del poste, dejando un espacio equivalente entre el último barrote y el poste en cada extremo (Fig. 3). Marcar 2" (5,08 cm) a partir del extremo del poste para dejar espacio para el ancho del soporte y su expansión (Fig. 4). Alinear el travesaño superior con el inferior y cortar ambos travesaños con una caja de ingletes o sierra para metales (consultar las especificaciones del fabricante de la hoja de sierra para escoger la indicada) (Fig. 5).

### NOTA:

- Deberá cortar a través de un inserto de aluminio en el travesaño superior en un tramo de 8' (2,44 m).
- Antes de la instalación de los barros de aluminio, insertar la tira de espuma suministrada en la parte superior del travesaño superior y en la parte inferior del travesaño inferior (en los lados opuestos de los orificios ranurados). Cortar a la longitud de los travesaños. A continuación, remover 1" (2,5 cm) de la tira de papel de cada extremo para exponer el adhesivo (Fig. 6).



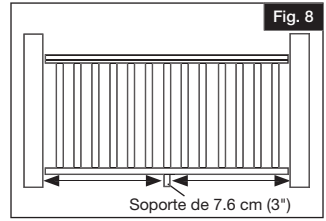
Encajar las tiras de espuma a presión en los travesaños (Fig. 7). NO remover la tira de papel completa, SOLO quitar 1" (2,5 cm) de cada extremo. En los travesaños superiores con una longitud de 8' (2,44 m) o más, la tira se adherirá al refuerzo de aluminio del mismo travesaño superior.

**6.**

**Instalar el soporte de refuerzo de 3" (5,08 cm) en el travesaño:**

Se incluyen los soportes de refuerzo de 3" (5,08 cm) en los kits de barandales. Los kits de barandal de 8' y 10' (2,44 m y 3,04 m) incluyen dos soportes de refuerzo. Instalar los soportes de refuerzo de manera uniforme a lo largo del tramo de barandal.

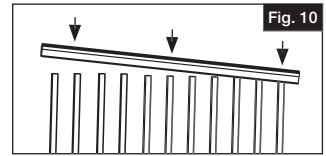
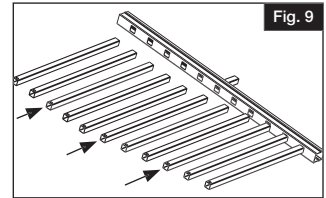
Ubicar y marcar el punto central por la parte inferior del travesaño inferior. Fijar el soporte en el travesaño inferior utilizando el tornillo de ajuste suministrado (Fig. 8).



**7.**

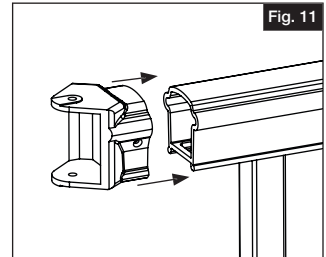
**Ensamblar el tramo de barandal:**

Colocar el travesaño inferior sobre una superficie lisa y limpia y encajar los barrotes en los orificios ranurados (Fig. 9). A continuación, repetir el proceso para conectar el travesaño superior (Fig. 10).



**8.**

Colocar los soportes en los extremos de los travesaños (superior e inferior) (Fig. 11).



**9.**

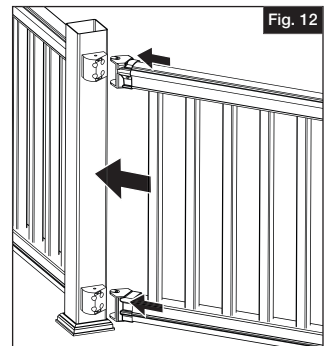
**Colocar el tramo de barandal ensamblado sobre las bases de los soportes angulares:**

Deslizar el tramo de barandal ensamblado en forma recta entre los dos postes y por encima de las bases de los soportes angulares (Fig. 12).

Colocar los pernos provistos en los soportes angulares superior e inferior para fijar los soportes angulares en la base.

**NOTA:**

Al instalar el travesaño inclinado y conectarlo con el tramo de barandal, debe voltearse la base del soporte angular sobre el poste contrario basado en el sentido de la instalación.



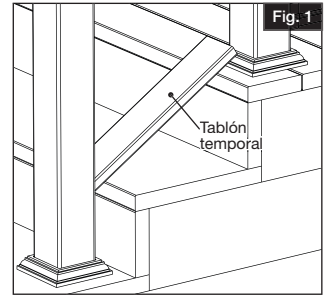
**10.**

Instalar dos tornillos de 1-1/4" en los costados de cada soporte angular, fijándolo en el pasamanos. Insertar los tapones en cada soporte superior.

## INSTALACIÓN DEL BARANDAL DE ESCALERA:

1.

Seguir atentamente las instrucciones de instalación del kit de instalación de postes o utilizar una funda de poste sobre un poste de madera de 4x4 existente.



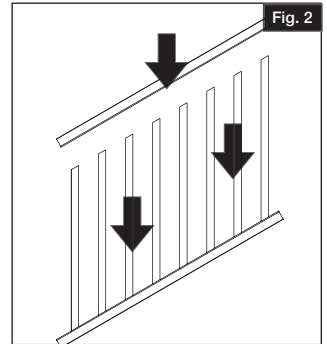
2.

Fije temporalmente un tablón de 5/4" (3,18 cm) a la huella del peldaño para determinar el espacio entre la saliente de los peldaños y el travesaño inferior (Fig. 1).

3.

### Ensamblar el barandal de escalera:

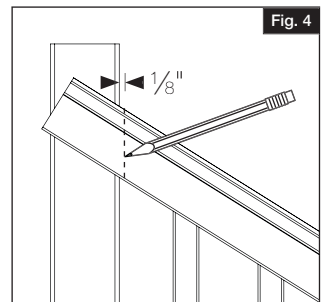
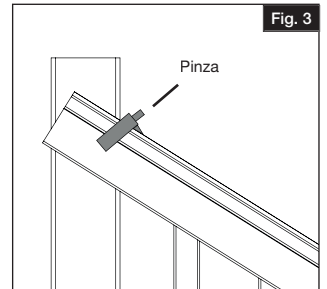
- Cada kit con barrotos de vinilo contiene 2 barrotos con pestañas. Colóquelos de manera uniforme en cada tramo.
- Ensamble el tramo de barandal de escalera encajando los barrotos en el travesaño inferior (Fig. 2).



4.

### Estabilizar tramo:

- Coloque el tramo de barandal de escalera ya ensamblado junto a los postes instalados, dejando una distancia igual entre los extremos de los dos barrotos y fije el tramo de barandal a los postes (Fig. 3).
- Trace el poste en cada uno de los travesaños (en ambos extremos de los travesaños superior e inferior). Haga cuatro marcas en total y no olvide marcar 1/8" más corto para dejar espacio para la expansión (Fig. 4).

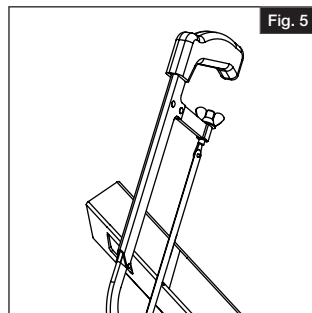




# 5.

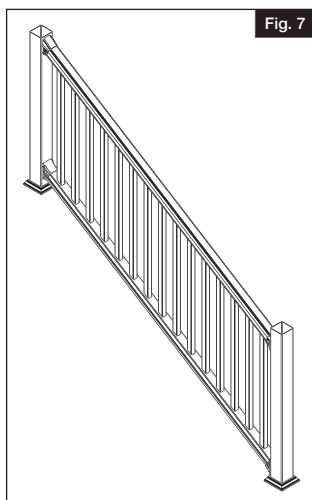
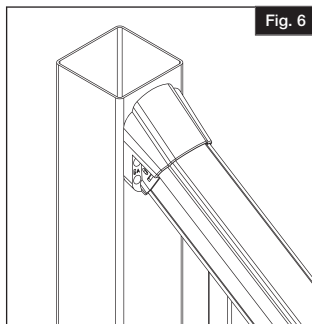
## Cortar travesaños:

Retire las pinzas del kit de escalera de los postes. Corte a lo largo de las cuatro marcas en ángulo en los travesaños (Fig. 5).



# 6.

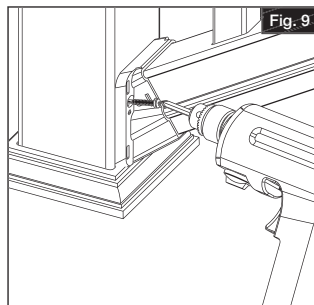
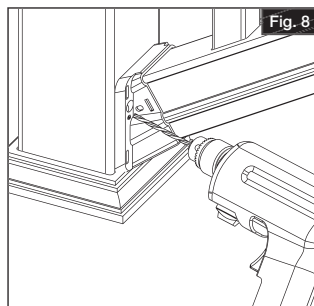
Deslice los soportes de escalera sobre los travesaños (Fig. 6), y coloque el tramo de travesaño entre los postes (Fig. 7).



# 7.

## Para los soportes de travesaño inferior:

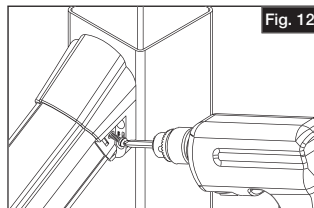
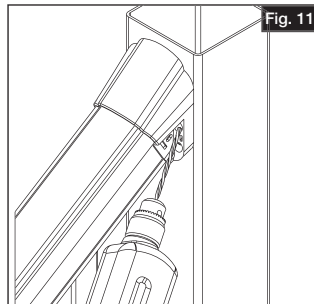
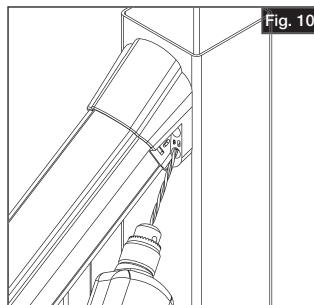
- Centre el soporte en el poste. Con los agujeros del soporte como guía, taladre uno de los agujeros con una broca de 1/8" (Fig. 8).
- Introduzca uno de los tornillos autorroscantes de cabeza cuadrada #10 de 1 1/4" en el soporte (Fig. 9).
- Taladre el agujero restante e introduzca el tornillo de 1 1/4" con cuidado de no apretarlo demasiado.
- Repita esta operación en la parte superior e inferior de la escalera.



# 8.

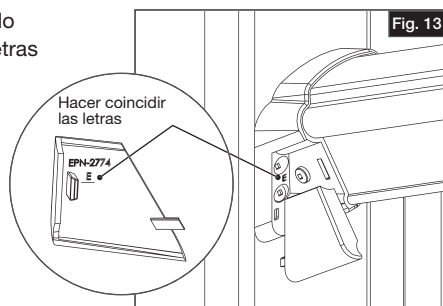
## Para los soportes de travesaño superior:

- Centre el soporte en el poste. Con los agujeros del soporte como guía, taladre uno de los agujeros inferiores con una broca de 1/8" (Fig. 10). Pase uno de los tornillos #10 de 2" por este agujero. Taladre el otro agujero inferior e introduzca en él otro tornillo de 2". Ahora taladre los 2 agujeros superiores del soporte (Fig. 11). Introduzca otros dos tornillos de 2" en esos agujeros. Tenga cuidado de no apretar demasiado.
- Utilizando el agujero premoldeado en el soporte como guía, taladre un lado (fuera de la instalación del travesaño de la escalera) del soporte del travesaño superior con una broca de 1/8" (Fig. 12). Instale un tornillo cuadrado de cabeza achatada #10 de 1" a través del soporte y del travesaño. NO apriete demasiado.



# 9.

Encaje las tapas de los soportes haciendo coincidir las letras de las tapas con las letras moldeadas en los soportes (Fig. 13)





Barrette Outdoor Living  
7830 Freeway Circle, Middleburg Heights, OH. 44130  
[barretteoutdoorliving.com](http://barretteoutdoorliving.com) • (877) 265-2220