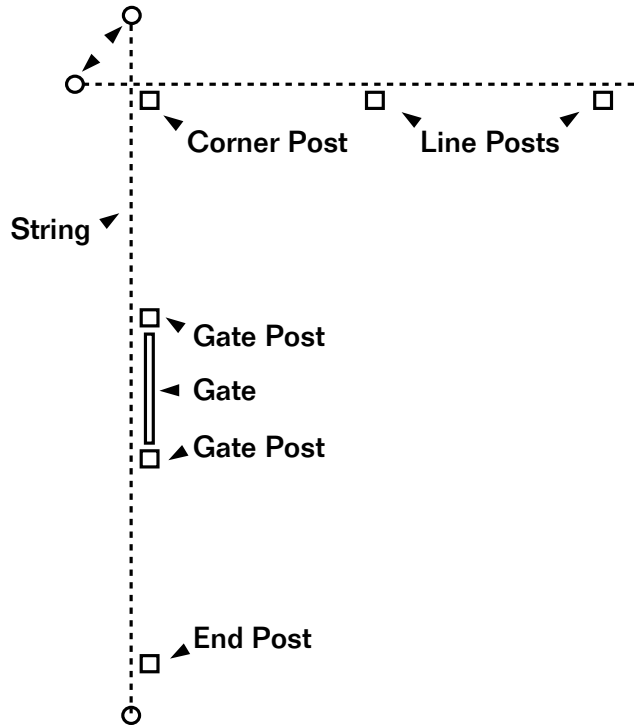


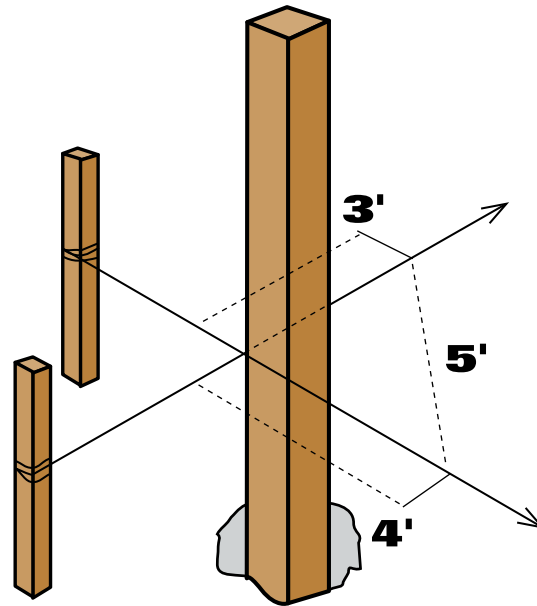
Wood Fence Assembly & Installation

Step 1. Preparation and Layout

Begin by staking out the fence. Locate the fence corners, gate posts and end posts.

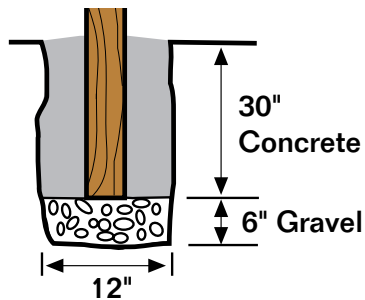


Squaring up corners:
Use the 3-4-5 Triangle Method.

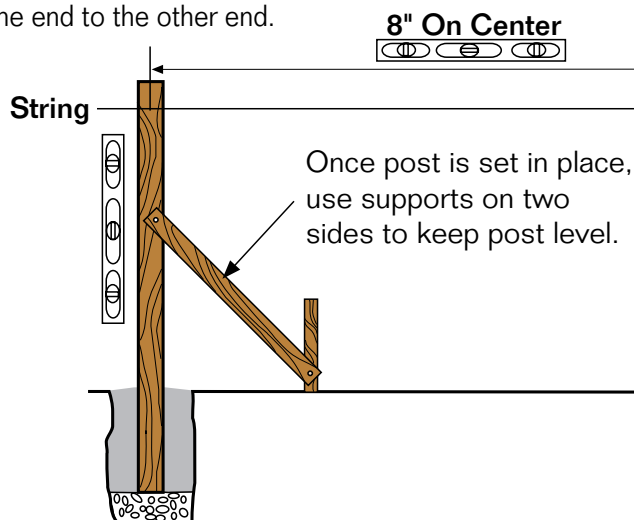


Step 2. Setting the Posts

Set posts 8' on center. Dig post holes 12" diameter by 36" deep with 6" of gravel.

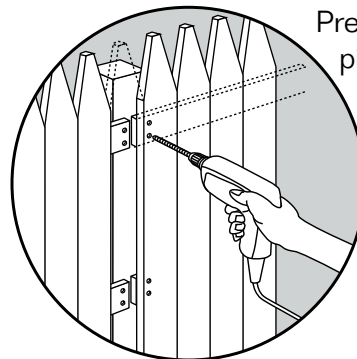


Level posts by running line level along the top of posts from one end to the other end.



Step 3. Installing Fence Sections

Pre-drill all holes through the picket and rail. This will prevent wood from splitting.



Attach fence section to posts with rust proof screws or nails.

