

VERANDA GATE KIT

Adjustable Vinyl Gate Hinge System

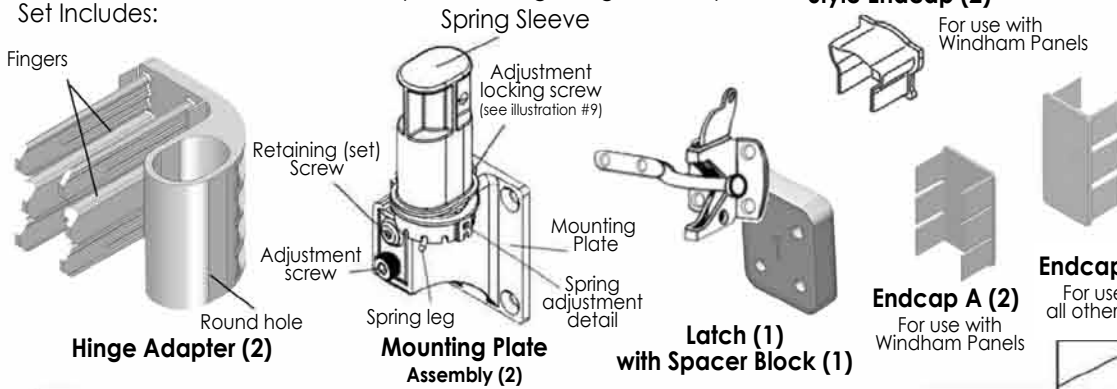
Assembly Instructions

For Single & Double Gates



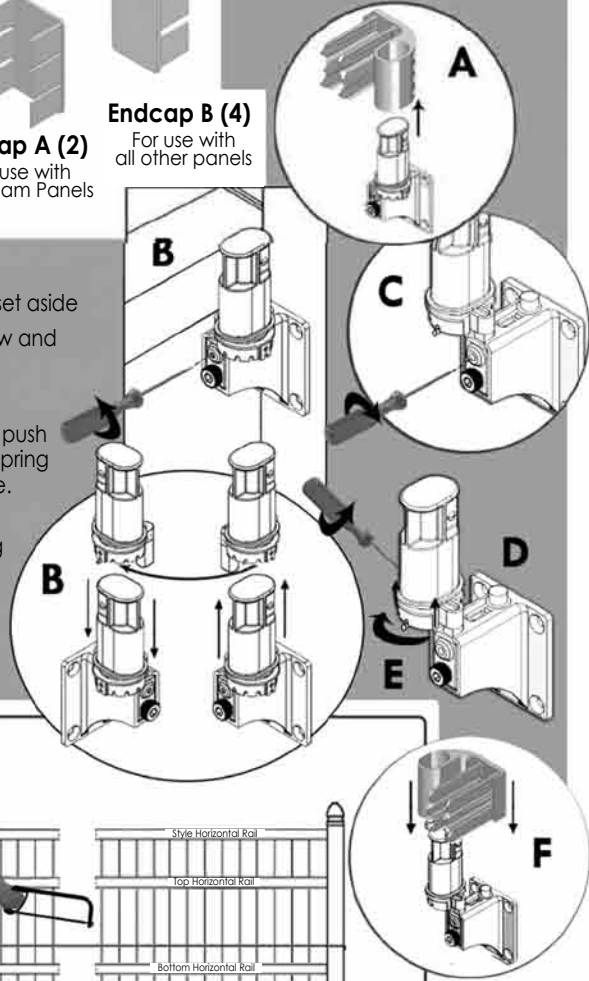
TOOLS NEEDED
pliers, wrench, allen wrench, pencil, square, level, saw, screwdriver, power drill

Please read all instructions carefully before beginning assembly.
Set Includes:



1 Before you begin...
Determine which way you want your gate to open. This will dictate how the gate hinges are mounted and configured.
By default, hinges come set up to swing to the interior of the property, as they are installed on a left hand post looking into the property.
** If you do not wish to reverse the swing direction of your hinges, please proceed to Step 2 at this time.*

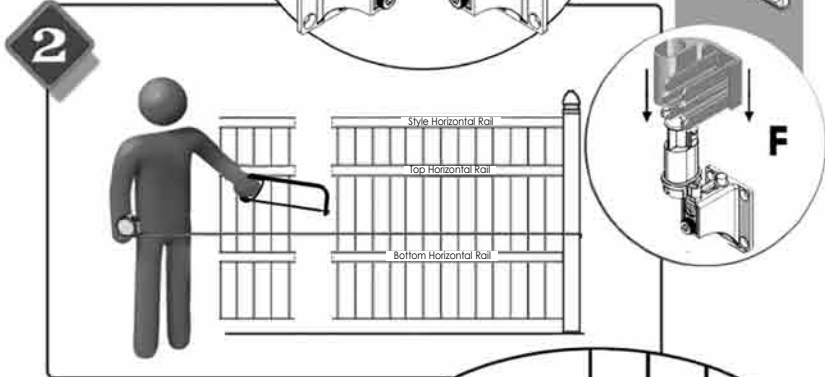
To change the swing direction of the gate hinges:
A) Slip hinge adapter up off of the spring sleeve and set aside
B) Next use a screwdriver to loosen the retaining screw and rotate the spring sleeve 180°
C) Re-tighten the retaining screw
D) Loosen screw of the spring adjustment detail, then push the spring adjustment detail all the way up so the spring leg clears it. This disengages the self-closing feature.
E) Turn the spring leg 180°, then push down the spring adjustment detail so the spring leg is back to being fully engaged.
Note: Always have the spring leg point to the post
F) Slip the hinge adapter back on spring sleeve



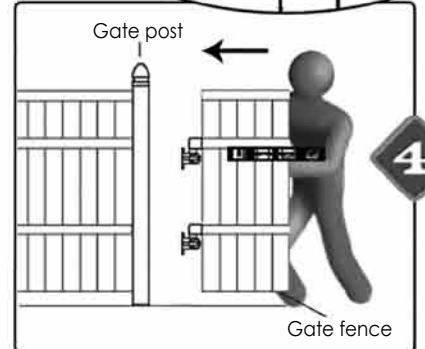
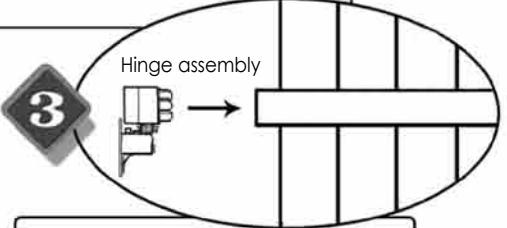
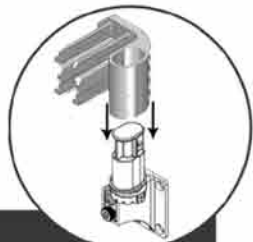
Caution: See steps 9-10 before making any adjustments to the adjustment screw.
Note: When re-assembling the parts, the correct configuration will always have the hinge adapter fingers crossing the hinge.

2 **Preparing the Gate Fence Section**
If you are converting pre-built fence into a gate, you can use a whole fence section or cut one to your desired length.
Note: This may result in having to install an extra fence post

3 Insert the fingers of the hinge adapters into both top and bottom rails of fence section with the Mounting Plates intact (full hinge assembly).
Note: Do NOT apply glue at this point. Make sure your hinges are configured in the right swing direction before applying glue.



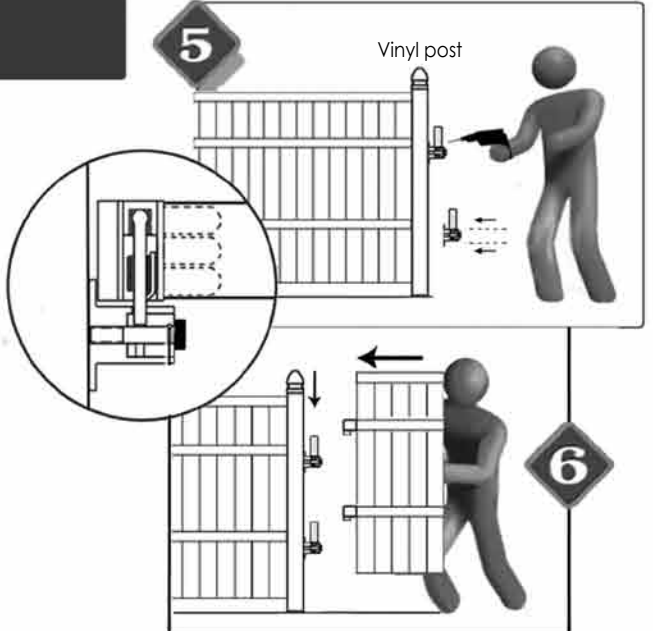
Preparing the Gate Post
Align the top horizontal rail on the gate fence section to the corresponding rail on the adjoining fence section. This will establish where the top hinge mounting plate will be mounted. This is done with the hinge adapter placed on the mounting plate and positioning the mounting plate on the post.
You must install a wooden post inside of your vinyl gate posts.



4 With the hinges secured within the rails of your gate fence section, place the hinges against the fence post to determine the correct placement for your hinges on the post. Mark the location of the holes for both the top and bottom hinge using the 8 included #14x1 1/2 Flat Head Wood Screws.

5 Separate the Hinge Adapters from the Mounting Plates by sliding the Hinge Adapters up off the Spring Sleeves. Leave the Hinge Adapters secured within the fence rails. Using Flat Head Wood Screws #14x1 1/2, secure the top and bottom Mounting Plates to their marked locations on the fence post.

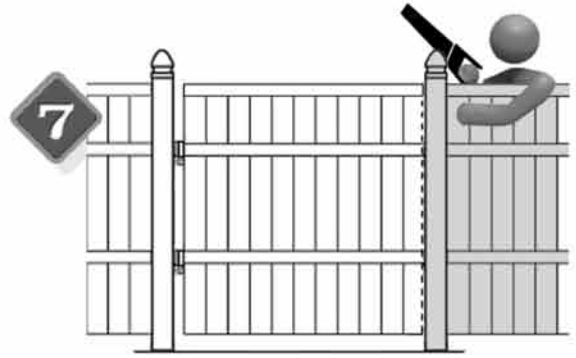
6 Once both top and bottom Hinge Mounting Plates have been secured to post, hang your gate fence section by sliding the Hinge Adapters onto the Spring Sleeves.



7 Preparing the Latch Side of the Gate

Mark the opposite end of the gate to fit the opening. Do this by closing the gate fence and if it overlaps the latch fence, mark the horizontal rails of the gate fence for a proportional fit. Then make a square cut to horizontal rails for the required opening size.

* Note: Do not saw/downsize your gate while it is hanging. Remove gate fence section prior to performing this step. If you do not wish to downsize your gate fence section, proceed to Step 8.



8 Place glue onto the fingers of the rail end caps and insert them in the end of the horizontal rails. Allow 15 minutes for glue to dry and set.

At this point, if your gate is configured exactly as you desire, remove fence section off of the two hinge adapters, apply glue for a permanent hold and re-attach your fence section by inserting the fingers of the hinge adapters into the rails of your fence section.

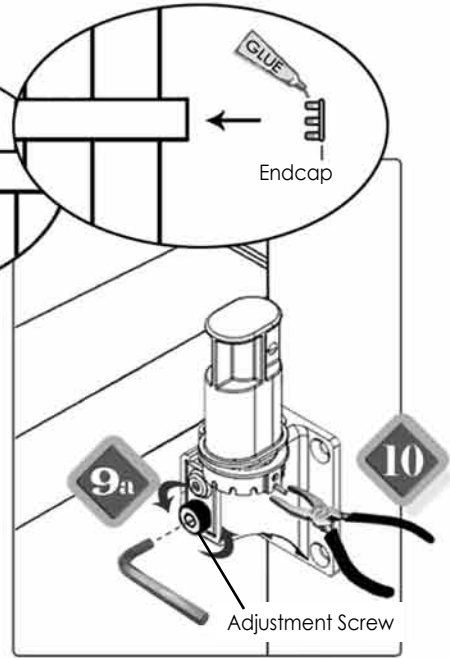
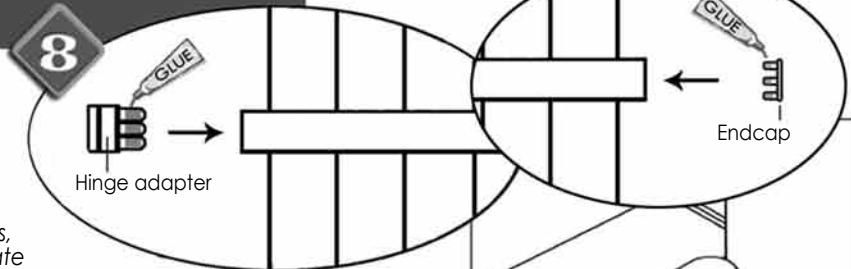
Note: Glue drying time is approximately 15 minutes, but a complete curing time, before putting the gate into service, is 24 hours.

9 Using a screwdriver. Adjustment Locking Screw must be loosened before adjusting the gate by turning the screw counterclockwise. When complete the Adjustment Locking Screw must be re-tightened.

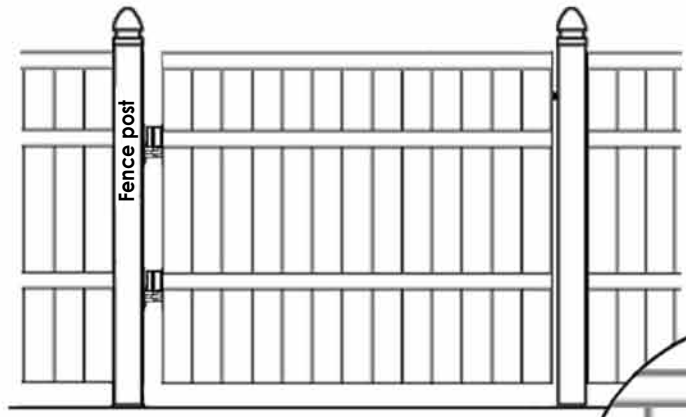
9a Finally, check the alignment and gap between the gate and fence post using the adjustment screw (maximum adjustment is 3/4")

Using a 1/4" Allen Wrench you can adjust the alignment and the gap between the gate and the fence post, by turning the adjustment screw "counterclockwise"

Note: the adjustment insert is in the full inward position when you purchase the hinge. To adjust it outward, turn the nut "counterclockwise". Also, be sure to avoid over adjusting the Adjustment Screw (clockwise or counterclockwise); this could result in damage to the screw itself.

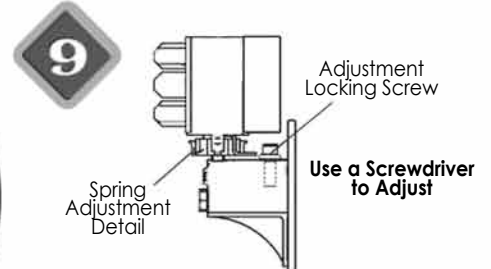
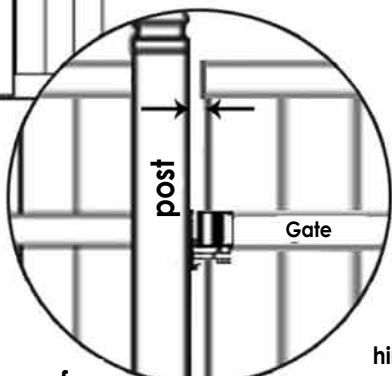


10 Using a pair of pliers, you can adjust the spring tension for closure speed and the amount of force needed to push the gate open. Rotate the leg of the spring to the desired notch. For both right hand and left hand assemblies turning clockwise will increase the tension.



The bottom bracket can be adjusted outward. This will automatically adjust the top of the gate inward. You will get the same results, but vice versa, if you adjust the top bracket outward.

Also, if you set the spring adjustment detail all the way up, your hinge assemblies will now be set for manual use.



For Double Gate applications, hinges will not be parallel to each other.

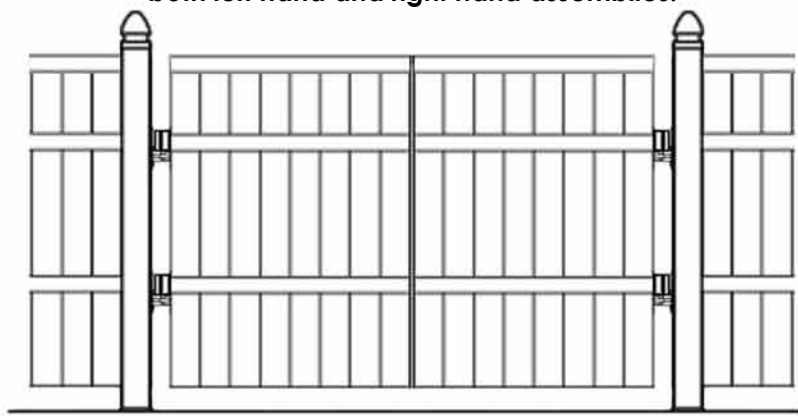
For Double Gates, follow full procedures for both left hand and right hand assemblies.

If you need to remove your gate for any reason, simply lift gate and the Hinge Adapters will slide up off the Spring Sleeve for easy removal of gate fence panel.

To replace your gate, reapply Hinge Adapters onto the Spring Sleeves.

See the Home Depot Pro Desk associate to see other Barrette Outdoor Living pre-built panels that work with this hinge.

Domestic and foreign patent applied for and pending



Made in China

YOU HAVE SUCCESSFULLY INSTALLED YOUR NEW VERANDA SELF-CLOSING GATE KIT.
For Assistance: 1-800-336-2383

VERANDA GATE KIT

Special Instructions

Barrette picket or rail fence sections

Note: this additional step is only needed when the hinges are used with the Barrette Picket or Rail Fence section.

Screws not included, but here is what you need:

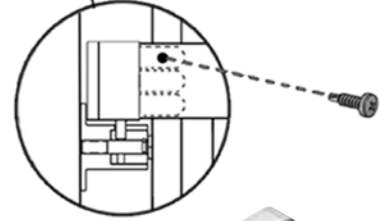
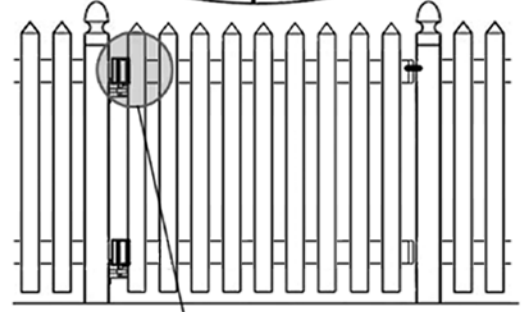
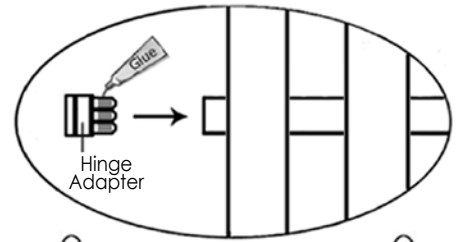
2

self-drilling/tapping
#8-18 Thread 5/8"
stainless steel screws



Once the glue has been applied to and around the outside of the hinge adapter fingers and slid into the horizontal gate rails, insert one screw into the center of one of the top hinge adapter fingers on the top horizontal rail.

Repeat this step to secure the hinge adapter in the bottom horizontal rail.



Spacer Instructions:

A spacer block may be used between fence post and latch catch for a flush finish. Spacer is mounted on the fence post with the latch catch as shown. The latch striker is to be mounted on the horizontal rail of your fence panel.

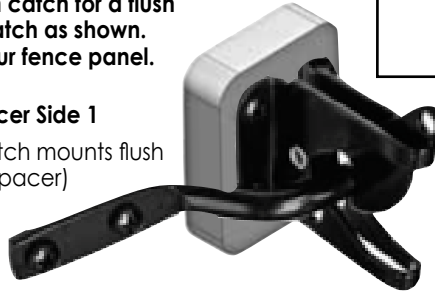
For size 4"x4" posts - Place spacer side 1 facing out (1/2")

For size 4 3/4"x4 3/4" posts - Place spacer side 2 facing out (1/8")

For size 5"x5" posts - No spacer is required

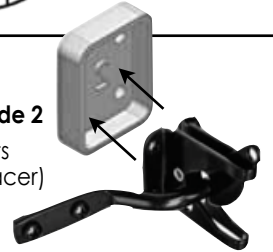
Spacer Side 1

(Catch mounts flush on spacer)



Spacer Side 2

(Catch sits inside spacer)



VINYL FENCE GATE KIT

Warranty Information

Limited Lifetime Warranty Statement

Complete information regarding Manufacturer's warranty is listed below. The Manufacturer warrants to the original end user customer of its products specified below that its products are free from defects in material and workmanship. Subject to the conditions and limitations set forth below, Manufacturer will, at its option, either repair or replace any part of its products that prove defective by reason of improper workmanship or materials. Repaired parts or replacement products will be provided by Manufacturer on an exchange basis, and will be either new or refurbished to be functionally equivalent to new. If Manufacturer is unable to repair or replace the product, it will refund or credit the current value of the product at the time the warranty claim is made. This limited warranty does not cover any damage to this product that results from improper installation, accident, abuse, misuse, natural disaster, abnormal mechanical or environmental conditions, or any unauthorized disassembly, repair, or modification. This limited warranty also does not apply to any product on which the original identification information has been altered, obliterated or removed, has not been handled or packaged correctly, has been sold as second-hand or has been resold. This limited warranty covers only repair, replacement, refund or credit for defective Manufacturer products, as provided above. Manufacturer is not liable for, and does not cover under warranty, any loss to any product or fixture to which the Manufacturer product may be affixed. In the event of a claim, Manufacturer's sole obligation shall be replacement of the defective product.

Product Lifetime Warranty:

This Manufacturer product is covered by this warranty for the life of the product. This limited warranty applies only to the original end user customer of the product for so long as the original end user customer owns the product. This limited warranty is nontransferable.

Free Technical Support:

If you experience difficulty during the installation or subsequent use of a Manufacturer product, you may contact Manufacturer's Technical Support department prior to servicing your system. Manufacturer provides free English-language technical support to its customers worldwide. Manufacturer Technical Support in the United States and Canada can be contacted directly by calling: 1-800-336-2383.

Claims Under Warranty:

A claim under this Warranty must be reported in writing, along with proof of purchase and any photos of the suspected defect, to Barrette Outdoor Living, 7830 Freeway Circle, Middleburg Heights, OH 44130 within thirty (30) days of the date that the defect is first discovered or reasonably could be discovered. Barrette Outdoor Living will then investigate the claim and may examine the material claimed to be defective. Barrette Outdoor Living shall be the sole judge of whether the product is defective and whether the defect is due from defective materials or manufacturing. If a defect covered by the Warranty is confirmed, Barrette Outdoor Living, will, at its option, repair or provide replacement material for the hinge, or refund the amount paid by the original owner for the hinge and accessories, per the terms of this Warranty within a reasonable amount of time.

Manufacturer Disclaimers:

THE FOREGOING IS THE COMPLETE WARRANTY FOR MANUFACTURER PRODUCTS AND SUPERSEDES ALL OTHER WARRANTIES AND REPRESENTATIONS, WHETHER ORAL OR WRITTEN. EXCEPT AS EXPRESSLY SET FORTH ABOVE, NO OTHER WARRANTIES ARE MADE WITH RESPECT TO MANUFACTURER PRODUCTS AND MANUFACTURER EXPRESSLY DISCLAIMS ALL WARRANTIES NOT STATED HEREIN, INCLUDING, TO THE EXTENT PERMITTED BY APPLICABLE LAW, ANY WARRANTY THAT MAY EXIST UNDER NATIONAL, STATE, PROVINCIAL OR LOCAL LAW INCLUDING BUT NOT LIMITED TO ANY IMPLIED WARRANTY OF NON-INFRINGEMENT, MERCHANTABILITY OR FITNESS FOR A PARTICULAR PURPOSE. TURNSTYLE ENTERPRISES IS THE "MANUFACTURER". BARRETTE OUTDOOR LIVING IS NOT THE MANUFACTURER AND IS JUST A CUSTOMER SERVICE REPRESENTATIVE FOR TURNSTYLE ENTERPRISES. ALL WARRANTIES, WHETHER EXPRESS OR IMPLIED, ARE LIMITED TO THE PERIODS OF TIME SET FORTH ABOVE. SOME STATES OR OTHER JURISDICTIONS DO NOT ALLOW THE EXCLUSION OF IMPLIED WARRANTIES OR LIMITATIONS ON HOW LONG AN IMPLIED WARRANTY LASTS, SO THE ABOVE LIMITATIONS MAY NOT APPLY TO YOU. MANUFACTURER PRODUCTS ARE NOT AUTHORIZED FOR USE AS CRITICAL COMPONENTS IN LIFE SUPPORT EQUIPMENT OR FOR APPLICATIONS IN WHICH THE FAILURE OR MALFUNCTION OF THE PRODUCTS WOULD CREATE A SITUATION IN WHICH PERSONAL INJURY OR DEATH IS LIKELY TO OCCUR. MANUFACTURER SHALL NOT BE LIABLE FOR THE DEATH OF ANY PERSON OR ANY LOSS, INJURY OR DAMAGE TO PERSONS OR PROPERTY BY USE OF PRODUCTS USED IN APPLICATIONS INCLUDING, BUT NOT LIMITED TO, MILITARY OR MILITARY-RELATED EQUIPMENT, TRAFFIC CONTROL EQUIPMENT, DISASTER PREVENTION SYSTEMS AND MEDICAL OR MEDICALRELATED EQUIPMENT. IF SUCH USE IS INTENDED, CONTACT MANUFACTURER FOR COMPONENTS SUITABLE FOR SUCH APPLICATIONS. MANUFACTURER'S TOTAL LIABILITY UNDER THIS OR ANY OTHER WARRANTY, EXPRESS OR IMPLIED, IS LIMITED TO REPAIR, REPLACEMENT OR REFUND. REPAIR, REPLACEMENT OR REFUND ARE THE SOLE AND EXCLUSIVE REMEDIES FOR BREACH OF WARRANTY OR ANY OTHER LEGAL THEORY. TO THE FULLEST EXTENT PERMITTED BY APPLICABLE LAW, MANUFACTURER SHALL NOT BE LIABLE TO THE PURCHASER OR END USER CUSTOMER OF A MANUFACTURER PRODUCT FOR ANY DAMAGES, EXPENSES, LOST DATA, LOST REVENUES, LOST SAVINGS, LOST PROFITS, OR ANY OTHER INCIDENTAL OR CONSEQUENTIAL DAMAGES ARISING FROM THE PURCHASE, USE OR INABILITY TO USE THE MANUFACTURER PRODUCT, EVEN IF MANUFACTURER HAS BEEN ADVISED OF THE POSSIBILITY OF SUCH DAMAGES. SOME STATES OR OTHER JURISDICTIONS DO NOT ALLOW THE EXCLUSION OR LIMITATION OF INCIDENTAL OR CONSEQUENTIAL DAMAGES, SO THE ABOVE LIMITATIONS OR EXCLUSIONS MAY NOT APPLY TO YOU. THIS LIMITED WARRANTY GIVES YOU SPECIFIC LEGAL RIGHTS, AND YOU MAY ALSO HAVE OTHER RIGHTS WHICH VARY FROM STATE TO STATE OR JURISDICTION TO JURISDICTION.