

# Pro-Series Fence Installation

## Before Installing Vinyl Fence

Check with local building department for code requirements

Obtain all necessary building permits

Always know frost line to ensure proper post depth

Make sure property lines are identified

Contact all utility companies to mark any underground lines (gas, water, electric, cable, telephone, etc.)

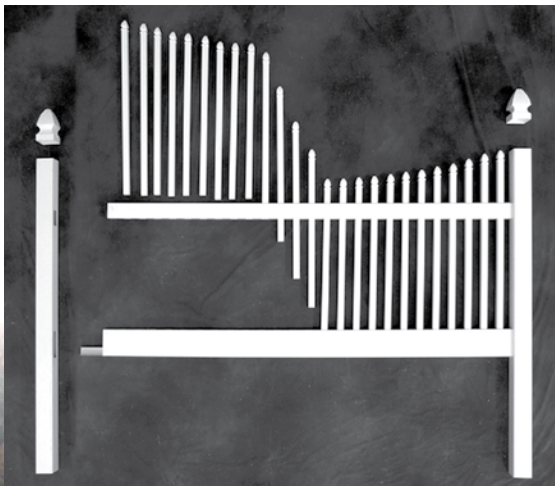
## For more detailed information

How to use the step down method when installing fence

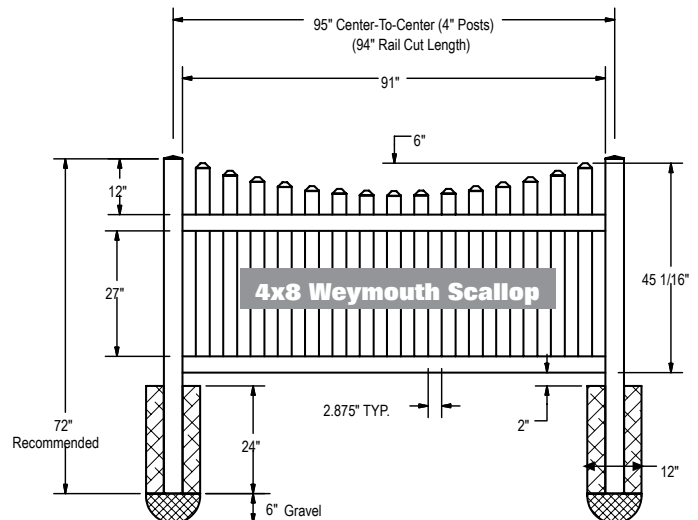
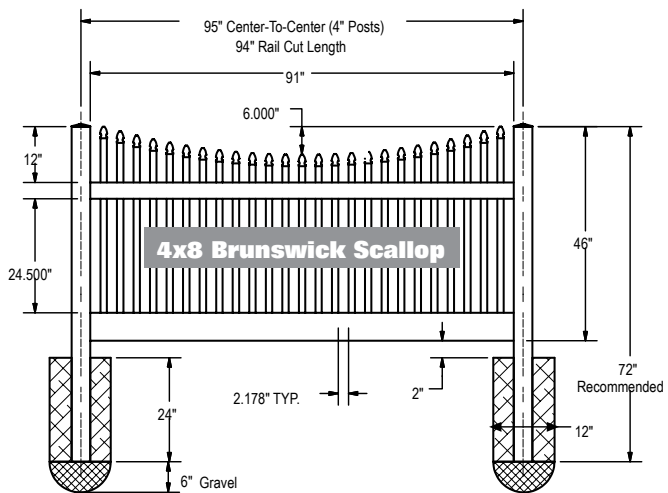
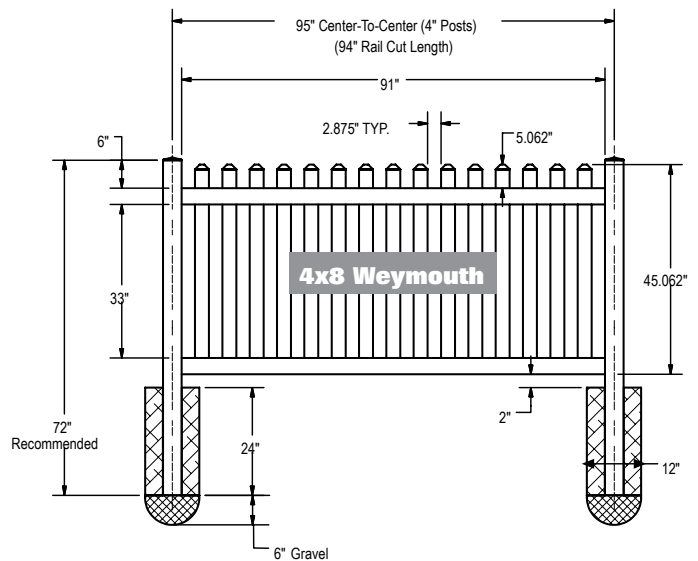
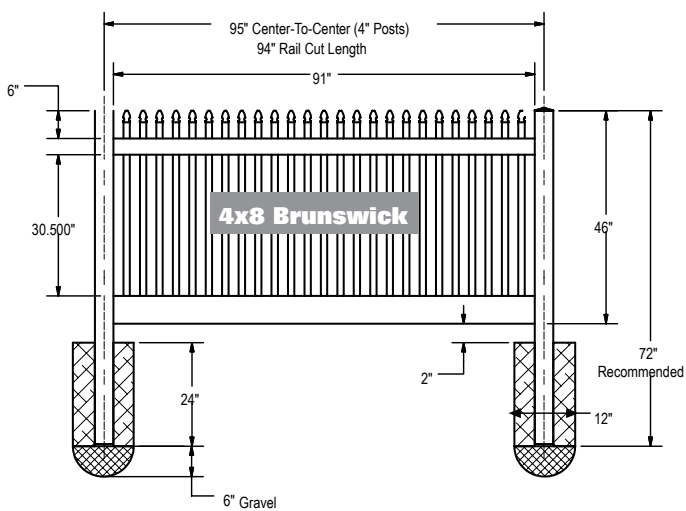
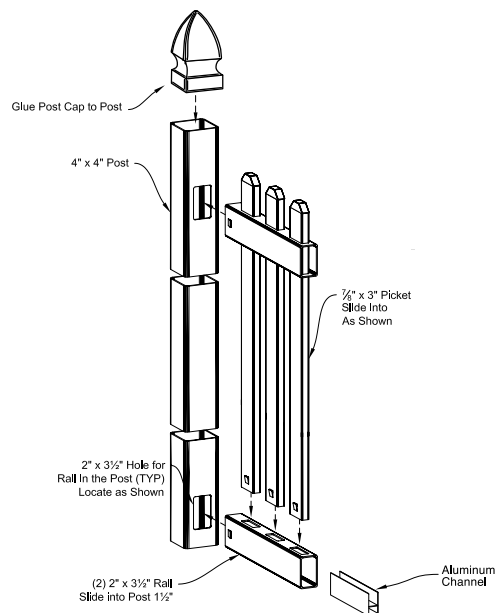
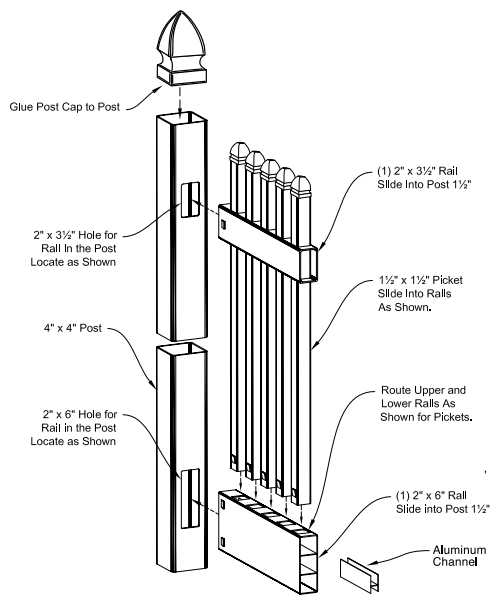
How to cut down fence panel

How to install gates

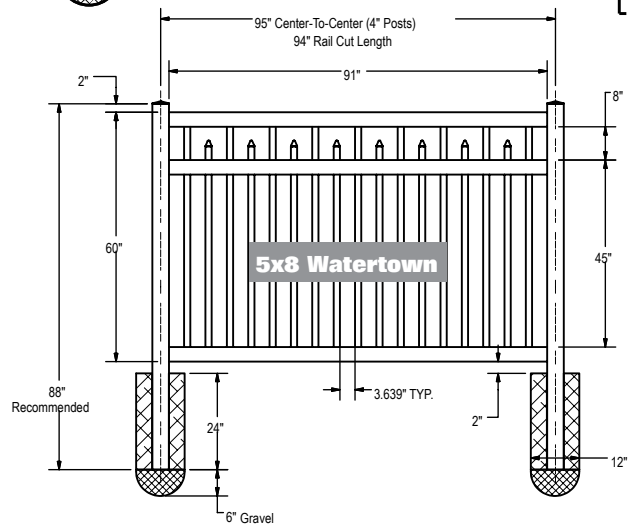
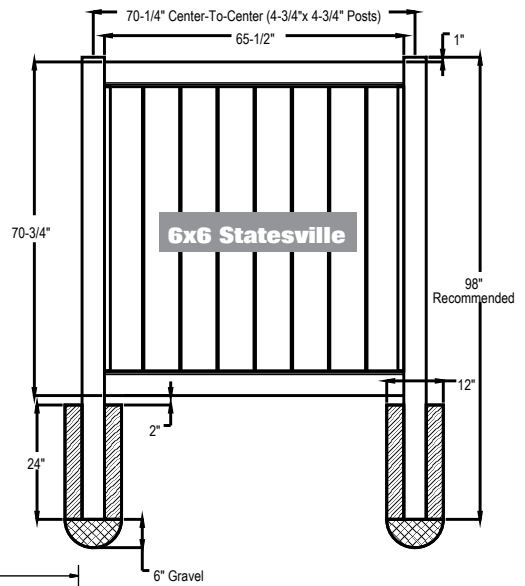
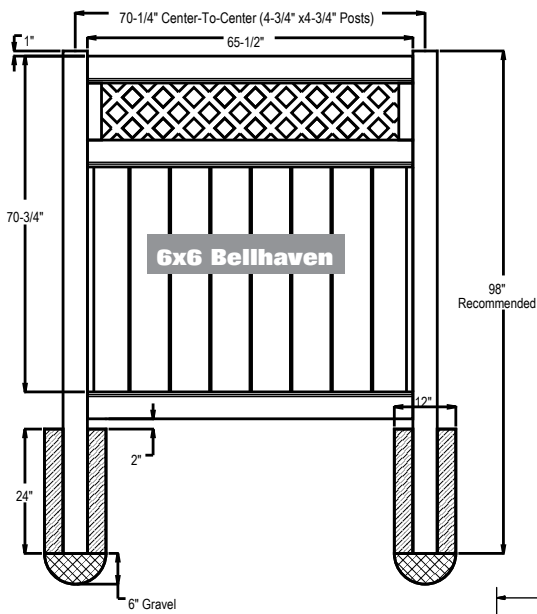
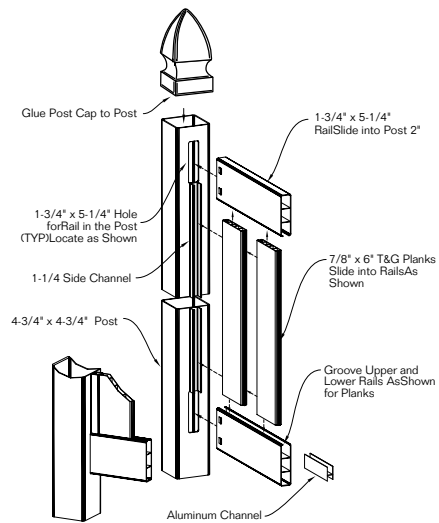
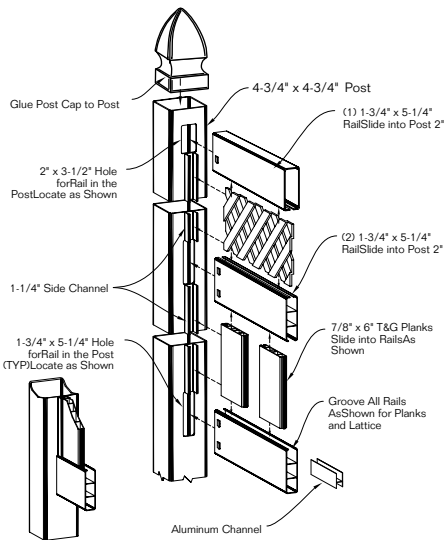
Warranty information



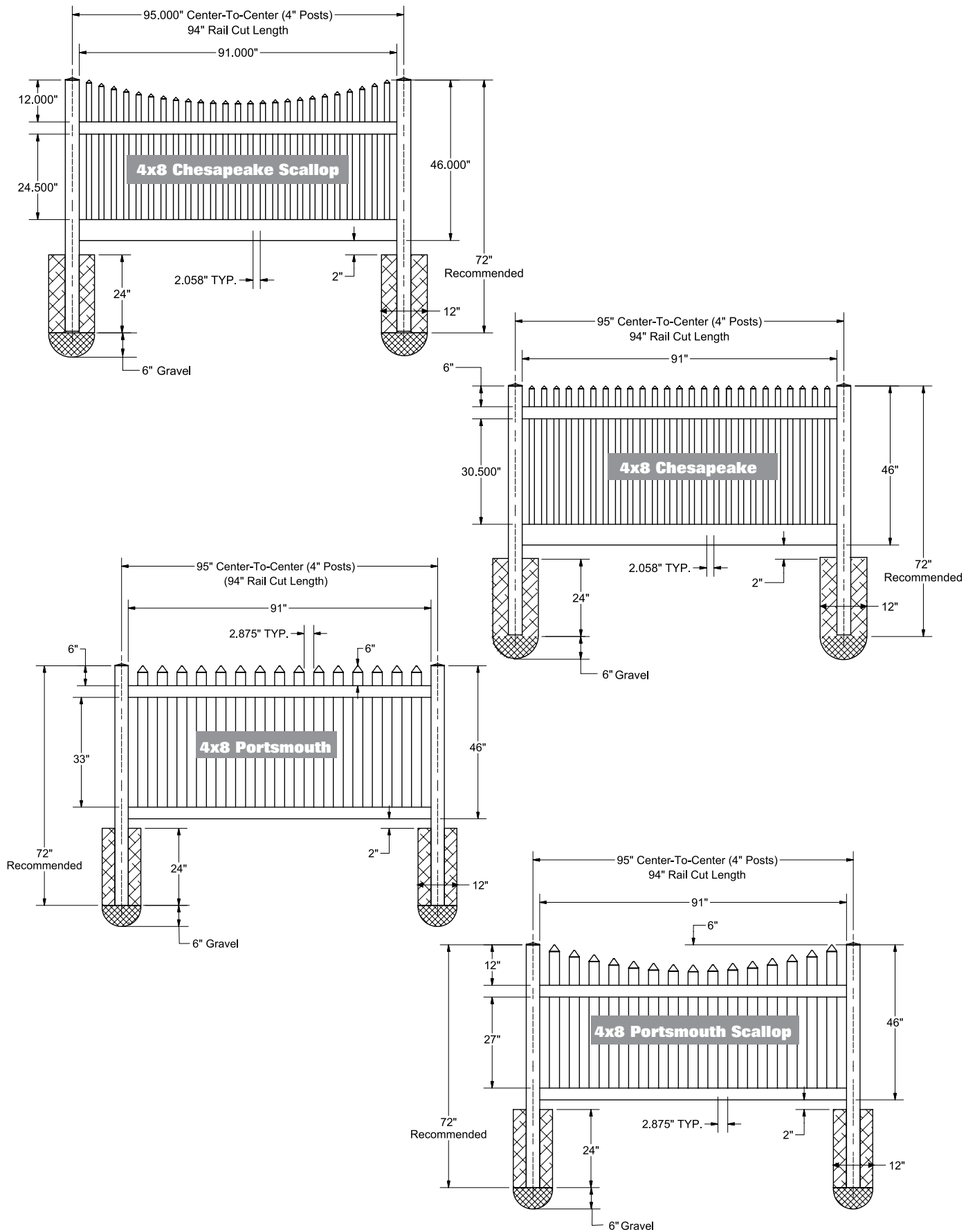
# Pro-Series Fence Installation



# Pro-Series Fence Installation



# Pro-Series Fence Installation



# Pro-Series Fence Installation

