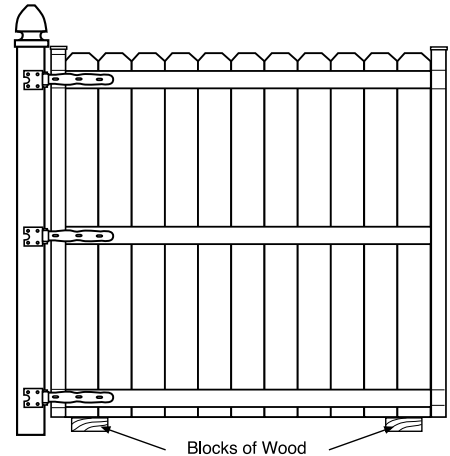
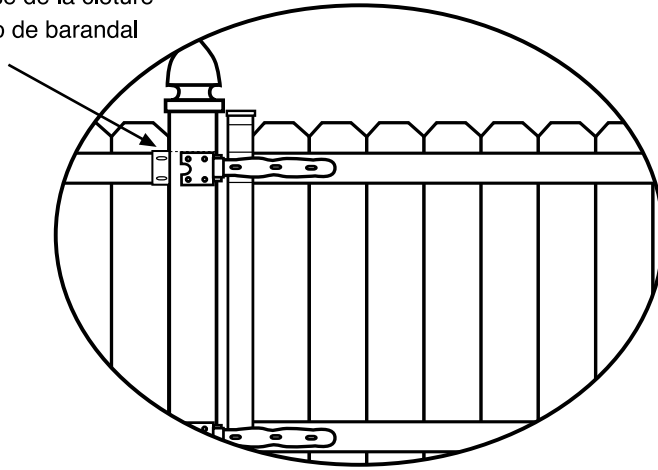


Drive Gate Hinge Instructions

For 48" or lower gates you will need 2 hinges per panel

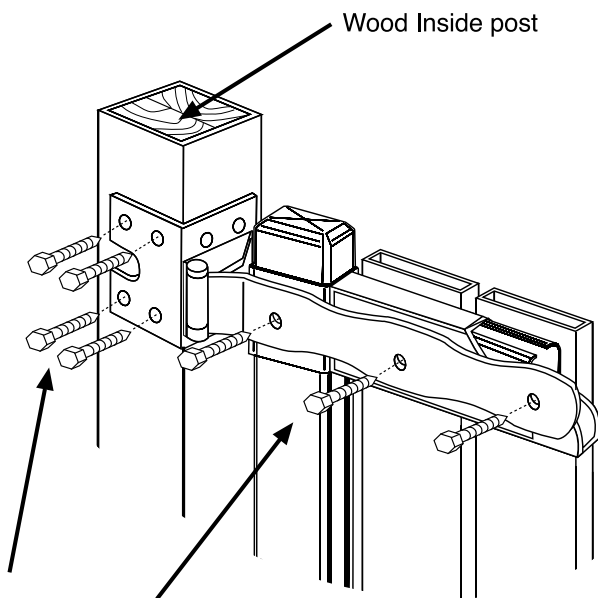
For 54" & 72" high panel you will need 3 hinges per panel

Line up with fence rail
Aligner avec la traverse de la clôture
Alinee con travesaño de barandal

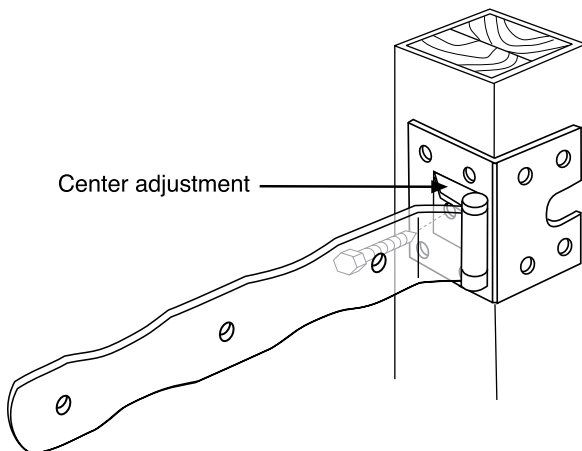


Blocks of Wood

- 1.** The post you are attaching the gate to Must Be Securely anchored into the ground with a pressure treated wood 4x4 inside the post, or filled with concrete. NOTE: if filling with concrete attach hinge to post first.
- 2.** Draw a line using a T-square from the top of the fence rail hanger brackets, on the adjoining fence section. This will be the top or your hinges.
- 3.** Install hinge bracket to post at these locations using (8) 1/4" x 1-1/2" Stainless Steel lag bolts.
- 4.** Support the gate with blocks of wood. Level the gate leaving 1-1/2" gap between gate rail and post. Pre-drill and attach hinge arm to rail using (3) 1/4" x 1-1/2" Stainless Steel lag bolts.
- 5.** Hinge has a unique feature to adjust your gate in or out which will center the gate on the post or offset it back. Once the gate is set in place install (1) 1/4" x 1-1/2" Stainless Steel lag bolt into the center of the bracket on the inside of hinge.



1/4" x 1-1/2"
Lag Bolts



Center adjustment