
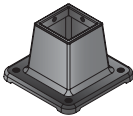



CHATHAM ALUMINUM RAIL POST INSTALLATION INSTRUCTIONS

*2 person installation recommended

What is Included:

- A. Post _____
- B. Surface Mount Adapter 
- C. Surface Mount 
- D. 3/4" Phillips Head Screws 

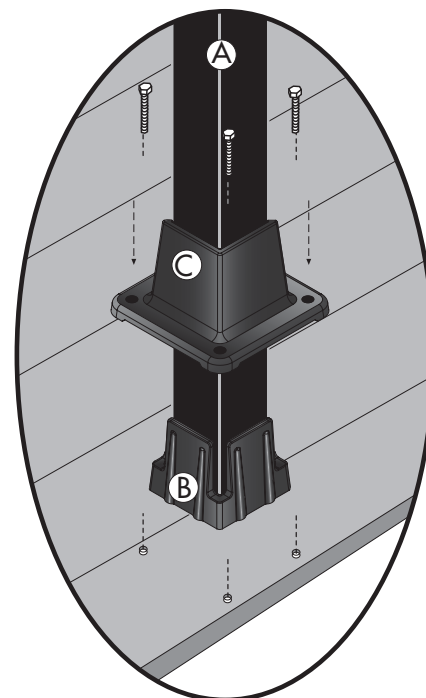
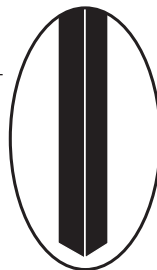


Figure 1

Deck/Wood Surface

- 1.) Slide surface mount adapter (B.) (Included) over post end *Figure 1*.
- 2.) Slide surface mount (C.) over post to cover surface mount adapter *Figure 1*.

Reinforce Mounting Location

- 3.) Cut a 2x8 wood spacer block (not included) *Figure 2 (A.)* and attach underneath the deck surface to substructure joists directly under the post location with 3" deck screws (not included). Length of the spacer block should be the distance between the existing deck joists.
- 4.) Cut one 2x8 joist (same length as spacer block cut in Step 3) (not included) *Figure 2*. Box in spacer block with this newly cut joist with 3" deck screws (not included).

Install Posts to Deck

- 5.) Mark holes with pencil through surface mount onto deck surface. Drill 1/8" holes in all four locations.
- 6.) Attach 1/4" lag bolts (not included) through surface mount to attach mount to deck surface.
- 7.) Using 1/8" drill bit pre-drill side holes through surface mount to post *Figure 3*.
- 8.) Attach 3/4" phillips head screws (included) *Figure 4*.

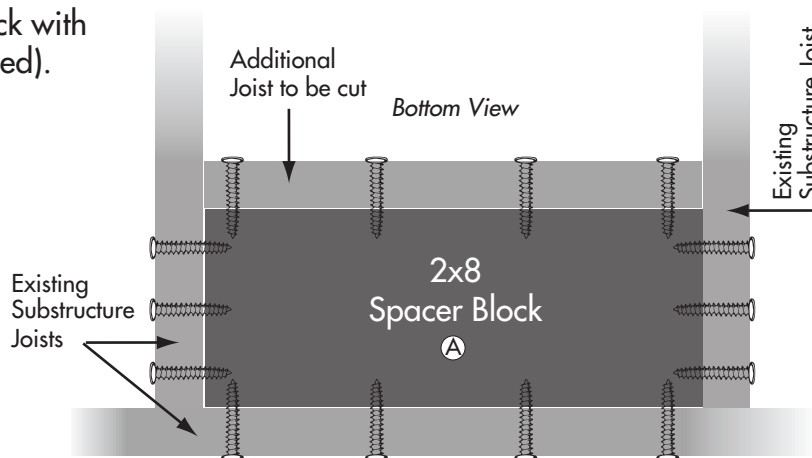


Figure 2

Concrete Surface

- 1.) Purchase four 1/4" masonry anchors according to local building codes.
- 2.) Mark holes through mounting plate onto concrete surface and follow anchor installation instructions.

Installing Remainder of Deck Posts

- 1.) Measure the length of your rail section and add 1/2" to measurement for brackets and expansion clearance. This is the distance between posts.
- 2.) Follow installation instructions from above.

Figure 3

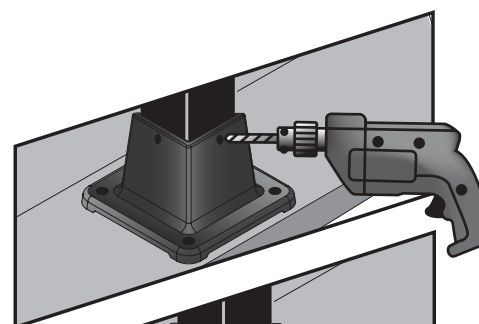


Figure 4

