

BREADLOAF / FLAT TOP ALUMINUM RAIL POST INSTALLATION INSTRUCTIONS

*2 person installation recommended

What is Included:

- Post
- Mounting Plate
- Installation Plate
- Base Trim
- $\frac{1}{4}$ " x $2\frac{1}{2}$ " Phillips Head Screws



Deck/Wood Surface

- 1.) Attach mounting plate to posts with $\frac{1}{4}$ " x $2\frac{1}{2}$ " phillips head screws *Figure 1*.
- 2.) Cut a 2x8 wood spacer block (not included) *Figure 2* and attach underneath the deck surface to substructure joists directly under the post location with 3" deck screws (not included). Length of the spacer block should be the distance between the existing deck joists.
- 3.) Cut one 2x8 joist (same length as spacer block cut in Step 3) (not included) *Figure 2*. Box in the spacer block with this newly cut joist with 3" deck screws (not included).

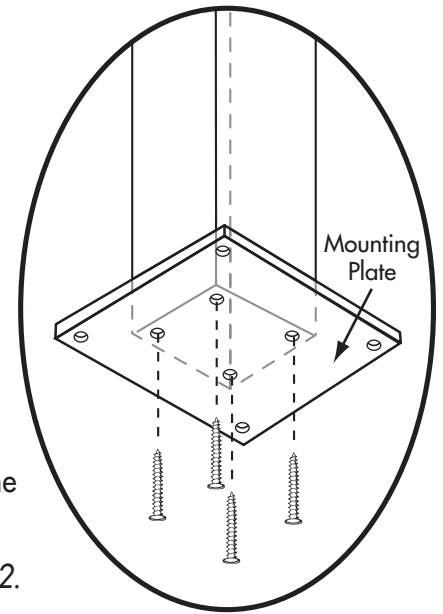


Figure 1

Install Posts to Deck

- 4.) Mark holes with a pencil through bottom of installation plate *Figure 3 (B)* onto deck surface. Drill $\frac{3}{8}$ " holes in all four locations.
- 5.) Push $\frac{5}{16}$ " bolts (not included) through installation plate and attach separate bottom plate *Figure 3 (C)* from underneath deck surface (posts can be leveled as needed by using steel washers as shims).
 - Purchase $\frac{5}{16}$ " bolts with nuts approximately 1" longer than the distance between plates (minimum $3\frac{7}{8}$ " long).
- 6.) Install base trim *Figure 3 (D)* around deck post at deck surface before installing rail.

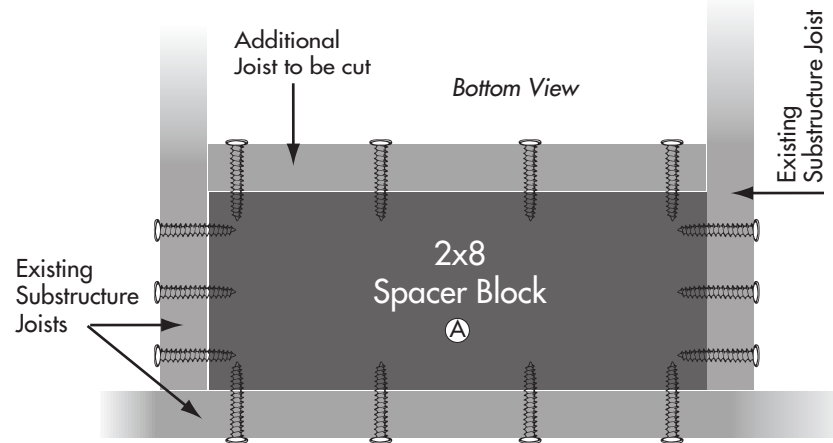


Figure 2

Concrete Surface

- 1.) Purchase four $\frac{5}{16}$ " masonry anchors according to local building codes.
- 2.) Mark holes through mounting plate onto concrete surface and follow anchor installation instructions.
- 3.) Install base trim *Figure 3 (D)* around deck post at deck surface before installing rail.

Installing Remainder of Deck Posts

- 1.) Measure the length of your rail section and add $\frac{3}{4}$ " to measurement for brackets and expansion clearance. This is the distance between posts.
- 2.) Follow installation instructions from above.

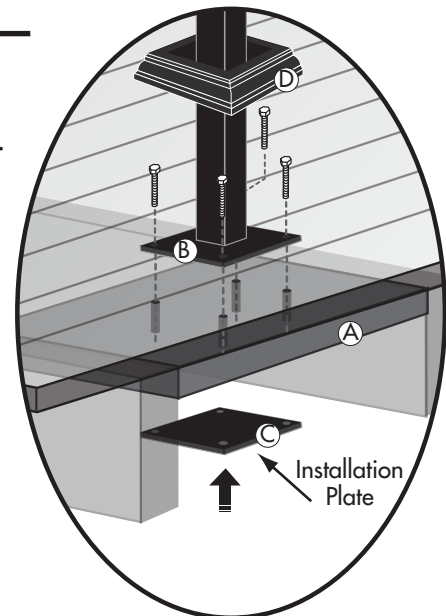


Figure 3