

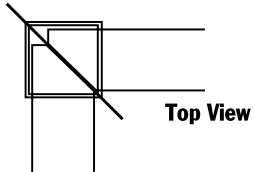
# Notched Post Installation

1. Use a rubber mallet to drive the post top tops onto the posts. Be careful not to damage the post top. Starting with an End Post or Gate Post, Insert fence section into holes in post. Fence sections must be inserted all the way inside post holes to meet BOCA code.

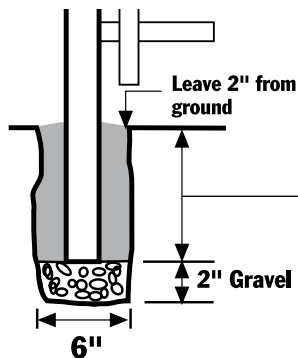
2. Fill the post hole with concrete mix being sure the concrete extends below the bottom of post.

3. Plumb the posts and pickets while the concrete is setting. The fence section can rack allowing the rails to follow the contour of the ground. Brace the posts as necessary while the concrete is setting.

4. Fence rails will need to be mitered for corner posts.

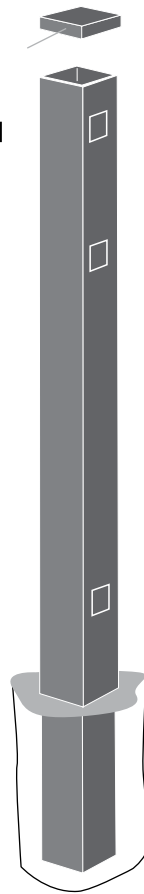


5. After concrete has set, fasten the fence section to the posts using #8 x 1" self-tapping screws. Be careful not to over-tighten because screw heads may break off or strip out.



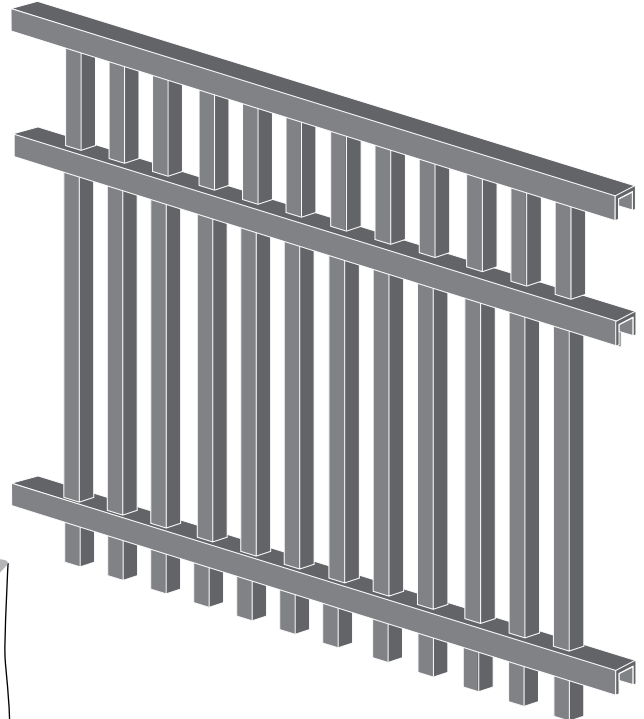
Post Depth	
Post Height	Hole Depth
70"	18"
82"	24"
88"	24"
106"	30"

**Posts tops & screws are included with all posts**

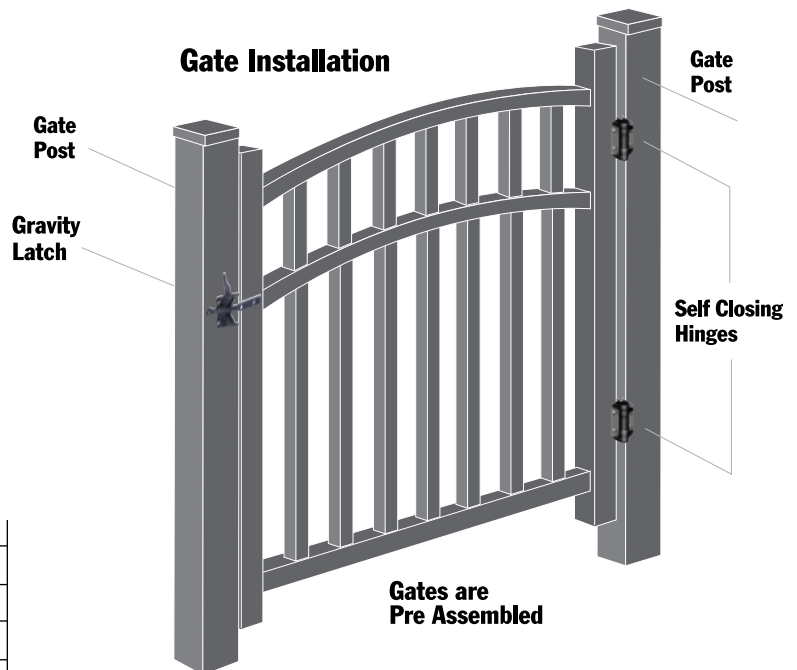


## Components

**Fence Sections are Pre Assembled**



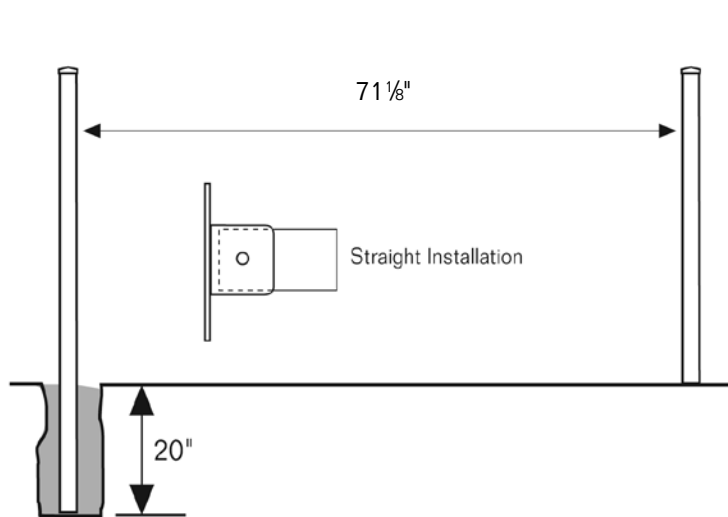
## Gate Installation



# Bracketed Post Installation

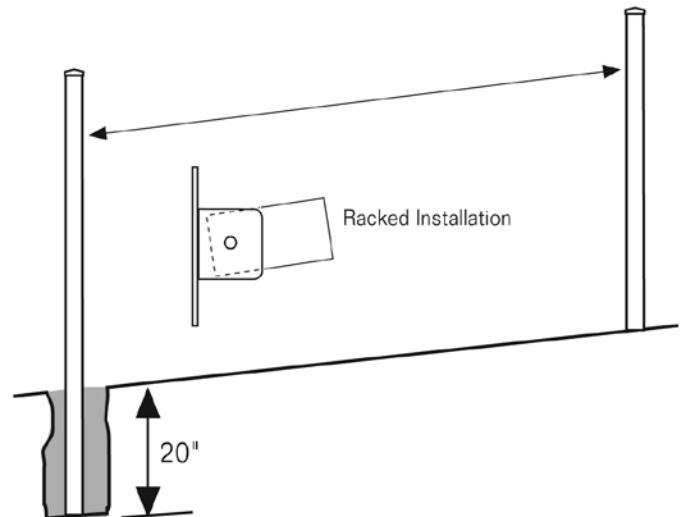
## Set Posts

For **Straight Installation**, posts should be set  $71\frac{1}{8}$ " inside edge to inside edge



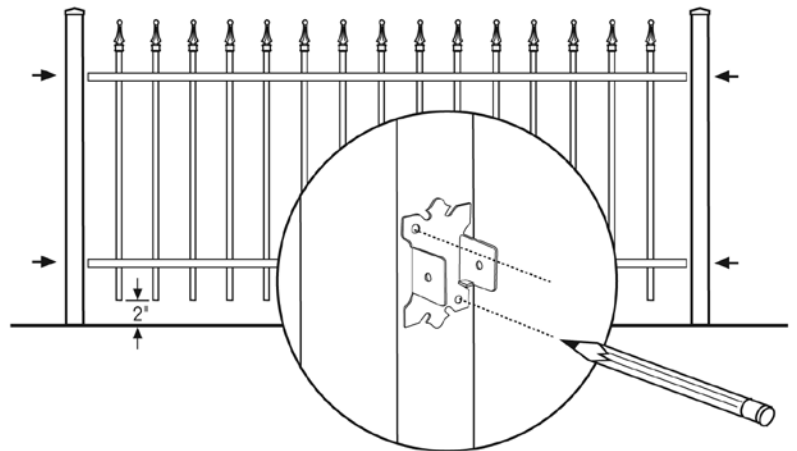
## Set Posts

For **Racked Installation** distance between posts will be determined by angle



## Mark Posts

Allow 2" from bottom of fence to ground  
Mark the posts at all hole location  
Pre-drill all screw holes with  $\frac{3}{32}$ " bit



## Install Fence

Use  $\frac{1}{4}$ " screws to attach fence bracket to post  
Use  $\frac{1}{2}$ " screws to attach panel to bracket

